

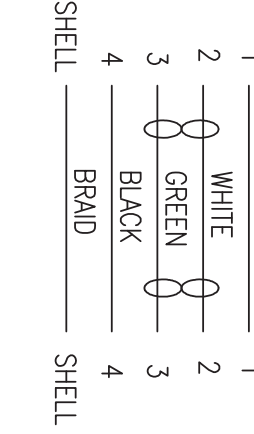
WIRE LIST

P1	WIRE COLOR
1	RED
2	WHITE
3	GREEN
4	BLACK

WIRE LIST

P2	WIRE COLOR
1	RED
2	WHITE
3	GREEN
4	BLACK

- NOTE:
- 1.100% OPEN,SHORT & MISWIRE TEST;
  - 2.INSULATION RESISTANCE:10MΩ Min.
  - DC 300V 0.1 Sec.;
  - 3.CONTACT RESISTANCE:2Ω Max.
  - 4.AM MATING FORCE:1500 CYCLES,200 CYCLES/H;
  - AF MATING FORCE:10,000 CYCLES.
  - 5.100% DIELECTRIC:500VAC FOR 1 MIN OR 800VAC FOR 1 SEC
  6. NO MATERIAL FLASH TO BE PRESENT AROUND CAPTURE NUTS AFTER OVERMOLD PROCESS



ITEM	NAME	DESCRIPTION	Q'TY
6	HEX NUT	4-40# UNT 4.7*2.0mm	2PCS
5	OVERMOLD	PVC WHITE 45P	A/R
4	INNERMOLD	LDPE	A/R
3	USB	USB2.0 A/F CONTACT:G/F,INSULATOR:WHITE, SHELL:NI PLATED	1
2	USB	USB2.0 A/M CONTACT:G/F,INSULATOR:WHITE, SHELL:NI PLATED	1
1	CABLE	UL2725 28AWG*P+26AWG*2C+4865%TC, DD4.0mm (USB2.0) Jacket: WHITE	1



NOTES: ALL DIMS ARE IN mm

SCALE: N/A

TOLERANCE: EXCEPT AS NOTED

DEC. MILLIMETERS: 0.00±0.20, 0.000±0.10

ANG.: N/A

PROJECTION: 1st Angle

**RDI** Research Develop Innovate

RDI Inc. 333 North Bedford Road, Suite 135, Mount Kisco, NY 10549

USB 2.0 coupler cable assembly, RoHS Compliant

DATE: 01/20/16

REF. P/N: MCA480CPARAPNL

DRAWING NO.: 4604

SIZE: 1 OF 2

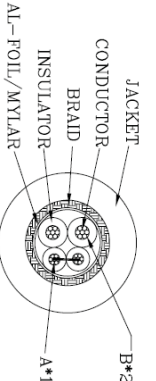
REV. A

ECN#	DATE	SYM	ADD THE PACKING AND CABLE SPECIFICATION	Barry Tina
16-017	03/29/16	A	REVISION RECORD	BY

THIS DOCUMENT IS OWNED BY, AND THE INFORMATION CONTAINED IN IT IS PROPRIETARY TO, RDI. BY RECEIPT HEREOF THE HOLDER AGREES NOT TO USE THE INFORMATION AND NOT TO DISCLOSE IT TO ANY THIRD PARTY. NOR REPRODUCE THIS DOCUMENT WITHOUT THE WRITTEN CONSENT OF RDI. AND AGREES TO RETURN THIS DOCUMENT UPON REQUEST.

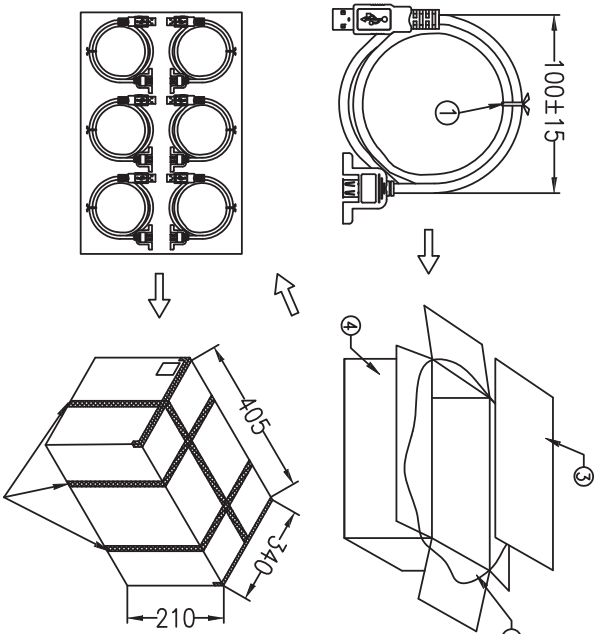
### CABLE SPECIFICATION

SPEC NO.:	7/0.127TA*1PR+7/0.16TA*2C+AB 65%		USB 2.0	USB V2.0
Customer	E101344	Customer NO.	8 Code: 0	Sample NO: Y160119001
UL File NO.	E101344	UL Style:	UL2725	Date: 1/26/16
CSA File NO.	0	CSA Style:	0	Edition: Original Edition
				Operation NO: 0
Structure		Structure A		Structure B
Conductors	StructureAWG	AWG	28# (7/0.127±0.008)	26# (7/0.16±0.008)
	Material		Timed Copper	Timed Copper
	O.D.		0.381 Ref	0.471 Ref
	Material		HD-PE	SR-PVC
	Diameter		0.80±0.05	1.00±0.07
	Average Thickness		0.210 Ref	0.265 Ref
	Color		AS Color Code	AS Color Code
Twist	Direction		Left (Z)	--
	Diameter		1.6 Ref	--
Layer	Direction		--	Left (Z)
	Pitch		mm	58 Ref
	Diameter		mm	2.52 Ref
	Material		--	Al-foil/mylar
Shielding 1	Conductive Side		--	Outside
	Overlap Rate		%	25
	Shield		--	Braid
Shielding 2	StructureAWG	AWG	7/238#(6/4/0.1+8/5/0.1±0.008)	Timed Copper
	Material		--	PVC
	Coverage Rate		%	65 MIN
	Material		--	PVC
	Diameter		mm	3.8 ± 0.15
	Min Average Thickness		mm	0.23
Jacket	Extrusion		--	Solid
	Externals		--	Plane
	Color		--	ROUT(4064) (WHITE)
Inking	Color		--	BLACK



COLOR CODE  
 1.GREEN\*WHITE  
 2.BLACK (P570)  
 3.RED (P572)

### PACKING :



出货时需要打包带

NOTES: ALL DIMS ARE IN mm

4	CARTON	405*340*210mm (K=K)	A/R
3	PARTITION	385*320*3(B33)	A/R
2	DRY BAG	L812mm*W760mm*T0.04mm	A/R
1	CABLE TIE	WHITE L=100mm	1

**RDI** Research Develop Innovate  
 RDI Inc. 333 North Bedford Road, Suite 135, Mount Kisco, NY 10549

SCALE	N/A	TITLE	USB 2.0 coupler cable assembly, RoHS Compliant
-------	-----	-------	--

TOLERANCE EXCEPT AS NOTED	DR. TINA	DATE	01/20/16	REF. P/N	MCA480CPARAPNL	SHEET	2 OF 2
DEC. MILLIMETERS	CK. BM	PRE- CB	4604	DRAWING NO.	REV. A	SIZE	F
0.00±0.30							
0.00±0.10							
ANG. N/A							

THIS DOCUMENT IS OWNED BY, AND THE INFORMATION CONTAINED IN IT IS PROPRIETARY TO, RDI. BY RECEIPT HEREOF THE HOLDER AGREES NOT TO USE THE INFORMATION AND NOT TO DISCLOSE IT TO ANY THIRD PARTY. NO REPRODUCE THIS DOCUMENT WITHOUT THE WRITTEN CONSENT OF RDI, AND AGREES TO RETURN THIS DOCUMENT FORTHWITH UPON REQUEST.

16-017	03/29/16	A	ADD THE PACKING AND CABLE SPECIFICATION	Barry	Tina
ECN#	DATE	SYM	REVISION RECORD	AUTH	BY