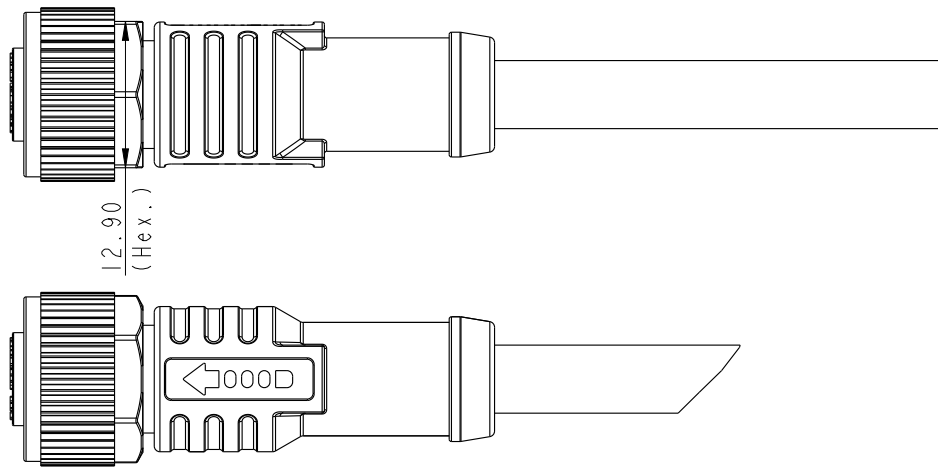
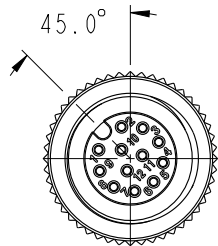
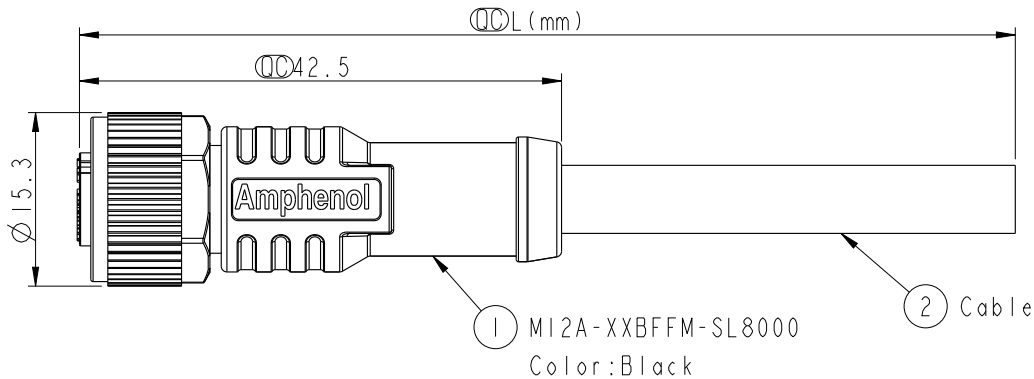


REV.	ECN NO.	DATE	SIGN	DESCRIPTION
C	LEN1680943~960 LEN1681003~011	2016/08/09	Yulong_wang	Add 6Pin & IP69K.
D	LEN1750089~96	2017/04/06	Lingpeng	Change The Cable OD
E	BOMR19100201	2019-10-29	Peng	Add 17Pin



- Notes: \triangle \triangle
- * ⌀ Important Dimension.
 - * Waterproof Rate: IP68, IP69K.
 - * Connector:
 - 3~6P, 8P, 10P, 12P: PU+GF, Black.
 - 17P: Nylon+GF, Black.
 - * Female Pin: Copper Alloy, Gold Plated.
 - * Screw Nut: Zinc Alloy, Nickel Plated.
 - * Outer Mold: PU, Black.
 - * Cable: (A) UL2517, PVC Jacket, Yellow.
(B) UL20549, PUR Jacket, Black.
(D) UL2517, PVC Jacket, Black.
 - * Rated Voltage: 3 & 4Pin 250V dc. or ac.
5Pin 60V dc. or ac.
6~12Pin, 17Pin 30V dc. or ac.
 - * Rated Current: 3~5Pin 4A
6~8Pin 2A
10~12Pin, 17Pin 1.5A
 - * Operating Temperature: -25~85°C
 - * Cable Length Tolerance: 01M: ±40mm
02M~05M: ±60mm
06M~10M: ±100mm
11M~30M: ±200mm
31M~99M: ±500mm

UNIT: mm		
TOLERANCE		
±0.5mm		

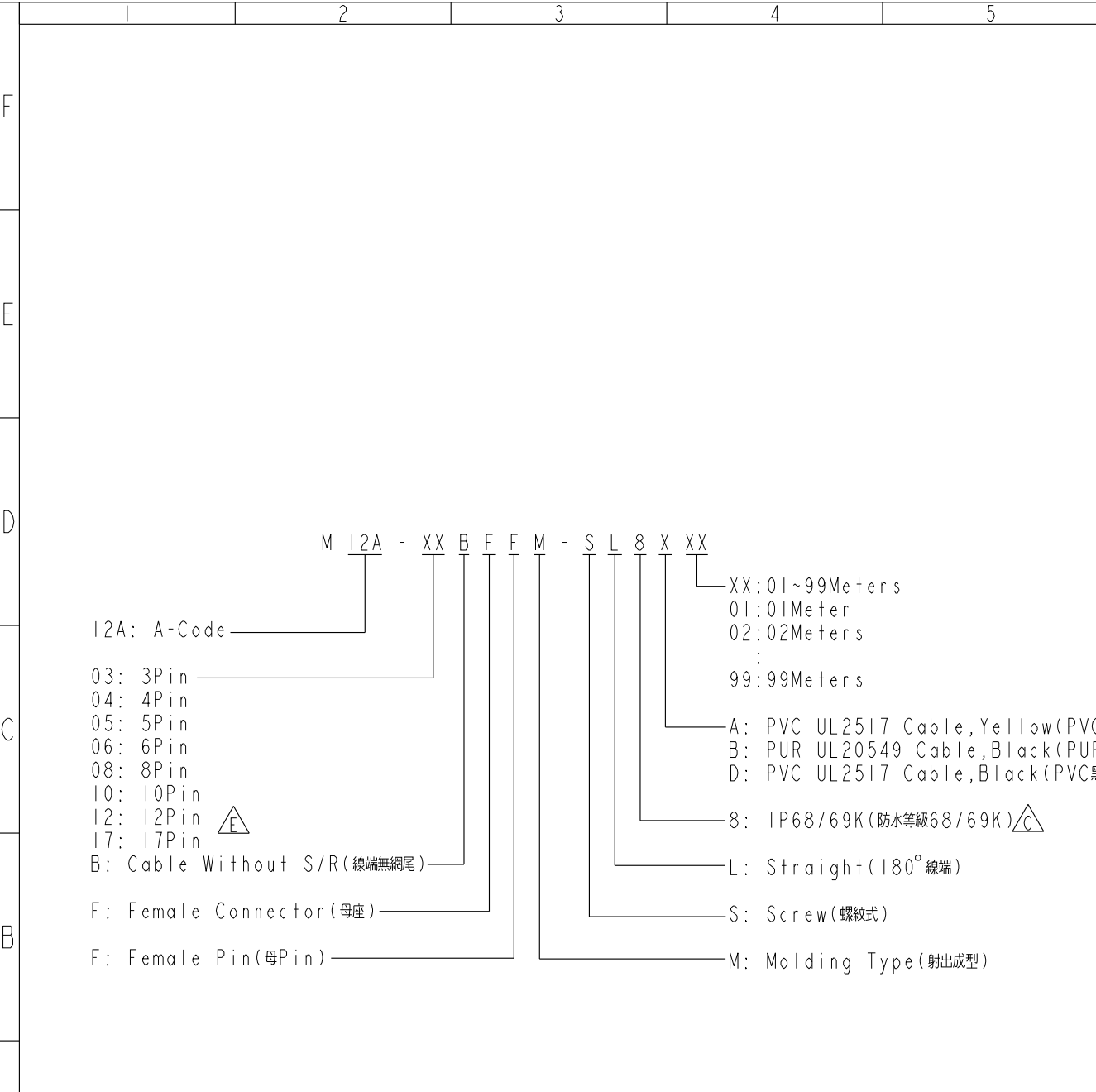
TITLE MI2 A Type Cable Female Conn.		
SCALE 3:2	SIZE A4	SHEET 1 OF 3
REV. E	WC-REV. A.3	⌀ : Inspection item

Amphenol LTW
安費諾亮泰企業股份有限公司

ITEM NO.	DRAWN BY Lingpeng	DATE 2017-04-06
DWG NO. MI2A-XXBFFM-SL8XXX	CHECKED BY Ma Fei	DATE 2017-04-06
CUSTOMER ALTW	APPROVED BY Jerry	DATE 2017-04-06

THIS DOCUMENT IS SUBJECT TO CHANGE WITHOUT NOTICE. IT IS CONFIDENTIAL AND A PROPERTY OF Amphenol LTW. DISCLOSURE TO THIRD PARTY HAS TO BE AUTHORIZED BY Amphenol LTW.

THIS DOCUMENT IS SUBJECT TO CHANGE WITHOUT NOTICE. IT IS CONFIDENTIAL AND A PROPERTY OF Amphenol LTW. DISCLOSURE TO THIRD PARTY HAS TO BE AUTHORIZED BY Amphenol LTW.



Contacts	Cable Jacket	Cable OD	AWG	Item No.
△E	PVC	7.0	26	M12A-17BFFM-SL8DXX
		6.0		M12A-12BFFM-SL8DXX
		5.5		M12A-10BFFM-SL8DXX
△C	PVC	5.5	24	M12A-08BFFM-SL8DXX
		5.0		M12A-06BFFM-SL8DXX
		5.1		M12A-05BFFM-SL8DXX
	PVC	4.8	22	M12A-04BFFM-SL8DXX
		4.5		M12A-03BFFM-SL8DXX
		7.0		M12A-17BFFM-SL8BXX
△E	PUR	6.0	26	M12A-12BFFM-SL8BXX
		4.8		M12A-08BFFM-SL8BXX
		5.0		M12A-06BFFM-SL8BXX
△D	PUR	4.4	22	M12A-05BFFM-SL8BXX
		4.0		M12A-04BFFM-SL8BXX
		3.8		M12A-03BFFM-SL8BXX
	PVC	7.0	26	M12A-17BFFM-SL8AXX
		6.0		M12A-12BFFM-SL8AXX
		5.5		M12A-08BFFM-SL8AXX
	PVC	5.0	24	M12A-06BFFM-SL8AXX
		5.1		M12A-05BFFM-SL8AXX
		4.8		M12A-04BFFM-SL8AXX
	PVC	4.5	22	M12A-03BFFM-SL8AXX

M 12A - XX B F F M - S L 8 X XX

12A: A-Code

03: 3Pin
04: 4Pin
05: 5Pin
06: 6Pin
08: 8Pin
10: 10Pin
12: 12Pin △E
17: 17Pin

B: Cable Without S/R(線端無網尾)

F: Female Connector(母座)

F: Female Pin(母Pin)

XX: 01~99Meters
01: 01Meter
02: 02Meters
:
99: 99Meters

A: PVC UL2517 Cable, Yellow(PVC黃色外被線材)
B: PUR UL20549 Cable, Black(PUR黑色外被線材)
D: PVC UL2517 Cable, Black(PVC黑色外被線材) △B

8: IP68/69K(防水等級68/69K) △C

L: Straight(180°線端)

S: Screw(螺紋式)

M: Molding Type(射出成型)

UNIT:mm		TITLE M12 A Type Cable Female Conn.		
TOLERANCE ±0.5mm		SCALE 3:2	SIZE A4	SHEET 2 OF 3
REV. E	WC-REV. A.3	QC: Inspection item		

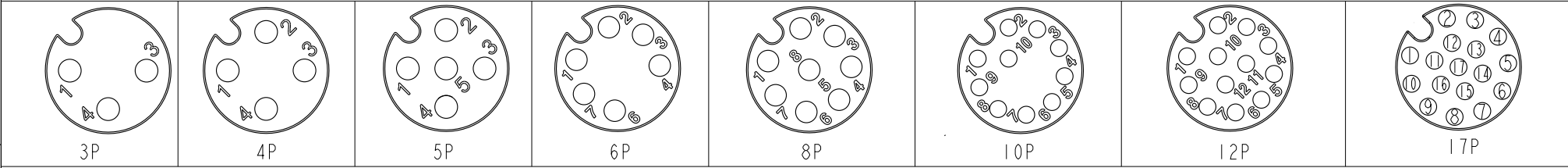
Amphenol LTW
安費諾亮泰企業股份有限公司

ITEM NO	DRAWN BY Lingpeng	DATE 2017-04-06
DWG NO M12A-XXBFFM-SL8XXX	CHECKED BY Ma Fei	DATE 2017-04-06
CUSTOMER ALTW	APPROVED BY Jerry	DATE 2017-04-06



5	--		5	--		5	Gray	灰	8	--	8	Red	紅	12	--	12	Red/Blue	紅/藍	17	White/Gray	白/灰
4	Black	黑	4	Black	黑	4	Black	黑	7	Blue	藍	7	Blue	藍	11	Gray/Pink	灰/粉	16	Yellow/Brown	黃/棕	
3	Blue	藍	3	Blue	藍	3	Blue	藍	6	Pink	粉	6	Pink	粉	10	Violet	紫	15	White/Yellow	白/黃	
2	--		2	White	白	2	White	白	5	--		5	Gray	灰	9	Black	黑	14	Brown/Green	棕/綠	
1	Brown	棕	1	Brown	棕	1	Brown	棕	4	Yellow	黃	4	Yellow	黃	8	Red	紅	13	White/Green	白/綠	
									3	Green	綠	3	Green	綠	7	Blue	藍	12	Red/Blue	紅/藍	
									2	Brown	棕	2	Brown	棕	6	Pink	粉	11	Gray/Pink	灰/粉	
									1	White	白	1	White	白	5	Gray	灰	10	Violet	紫	
																		9	Red	紅	
																		8	Gray	灰	
																		7	Black	黑	
																		6	Yellow	黃	
																		5	Pink	粉	
																		4	Green	綠	
																		3	White	白	
																		2	Blue	藍	
																		1	Brown	棕	

Pin Out



Pin Assignments: Front View

UNIT:mm TOLERANCE ±0.5mm		TITLE M12 A Type Cable Female Conn.			Amphenol LTW 安費諾亮泰企業股份有限公司	ITEM NO M12A-XXBFFM-SL8XXX	DRAWN BY Lingpeng	DATE 2017-04-06
		SCALE 3:2	SIZE A4	SHEET 3 OF 3		DWG NO M12A-XXBFFM-SL8XXX	CHECKED BY Ma Fei	DATE 2017-04-06
		REV. E	WC-REV. A.2	Inspection item		CUSTOMER ALTW	APPROVED BY Jerry	DATE 2017-04-06