

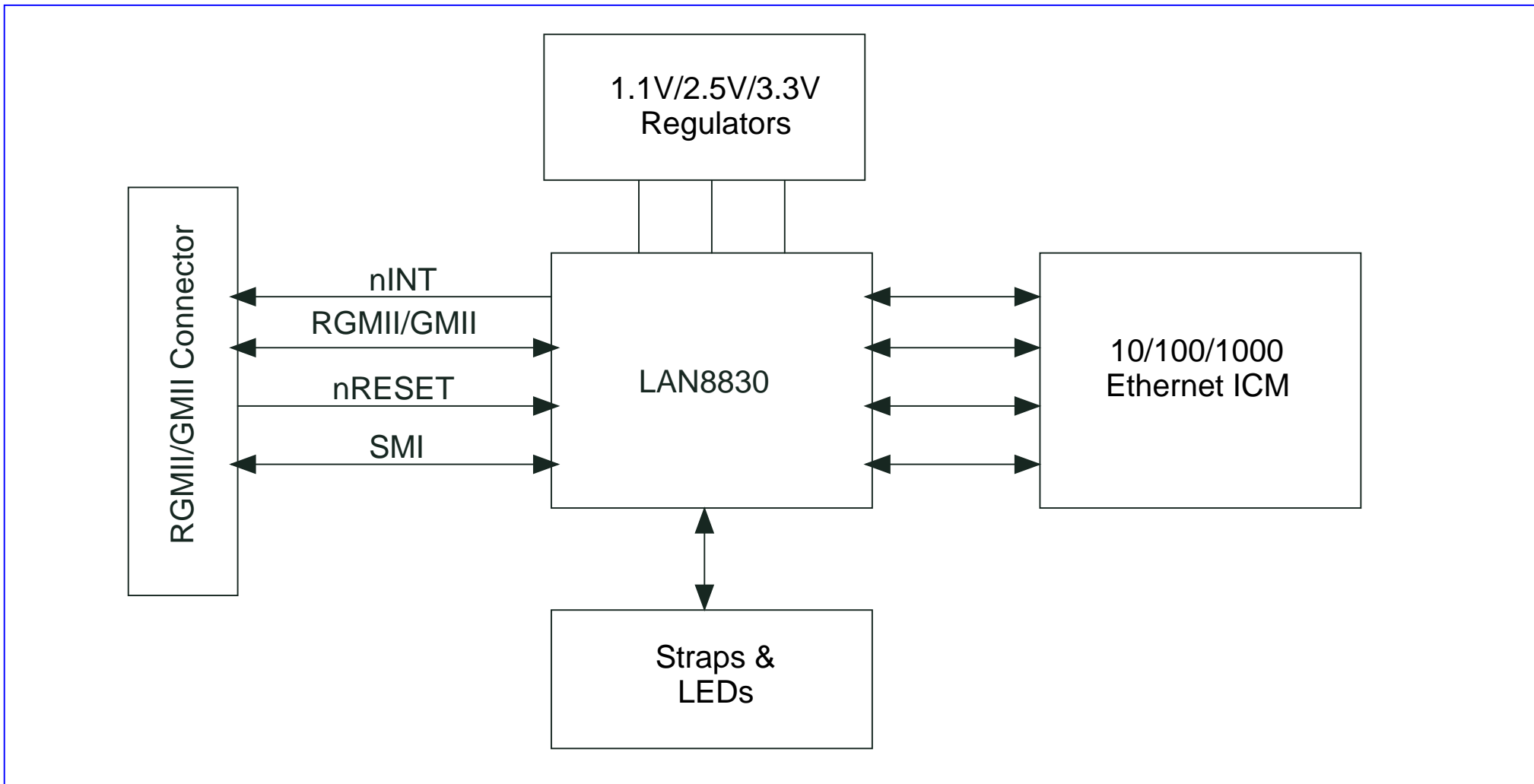
EVB-LAN8830 Gigabit PHY Daughter Card



Table of Contents

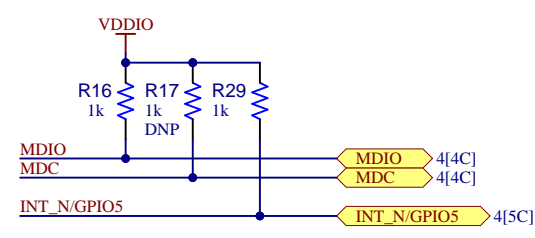
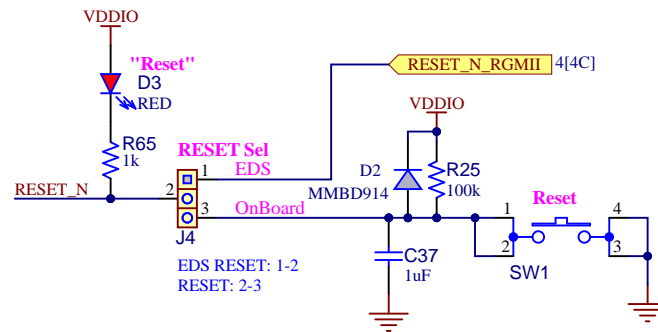
Sheet	Description
1	Title Sheet
2	LAN8830 PHY
3	LAN8830 Power
4	LAN8830 RGMII Interface

Revision History

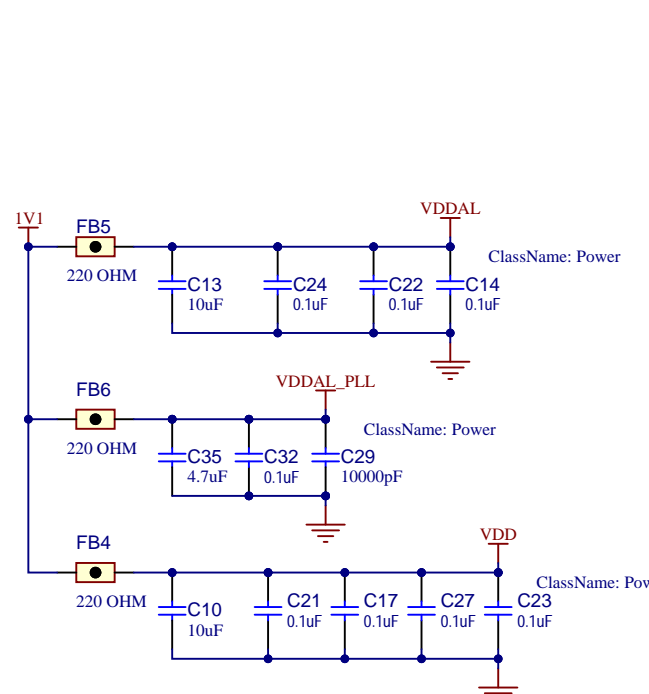
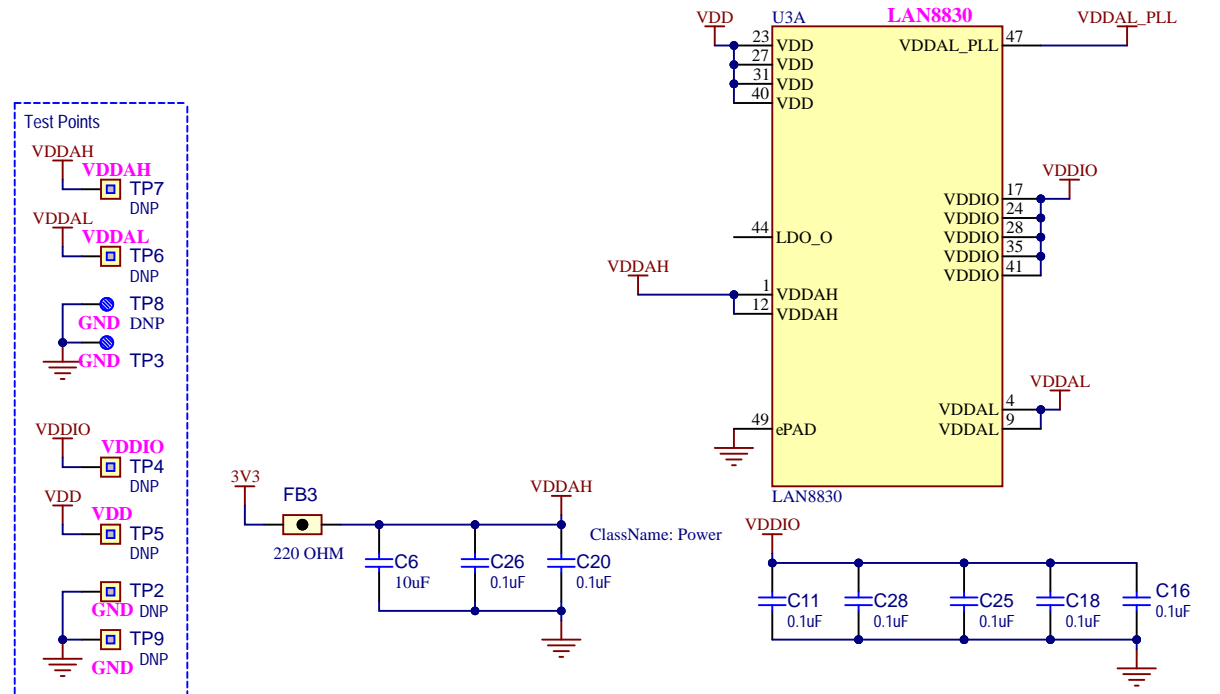
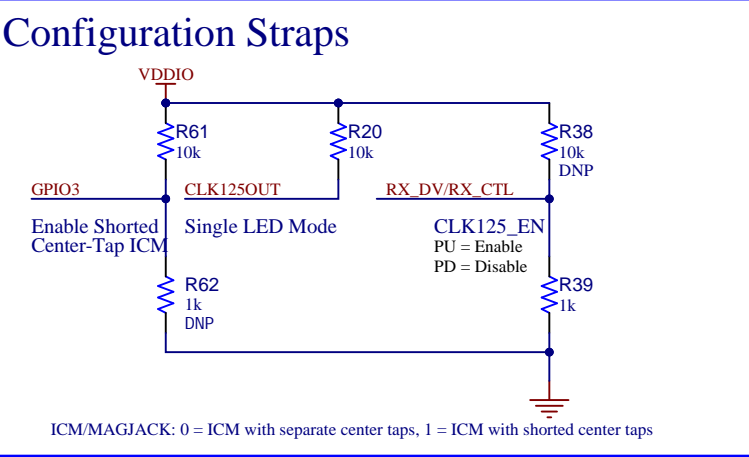
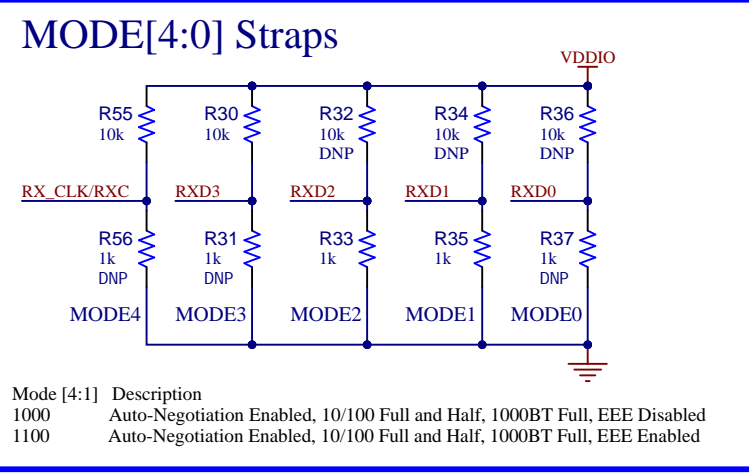
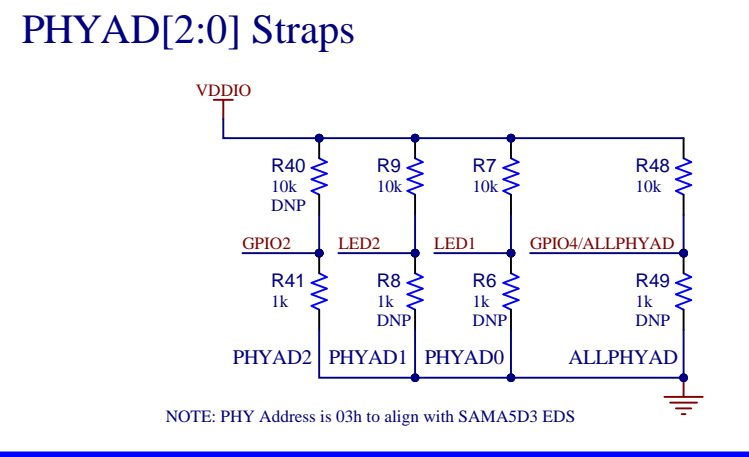
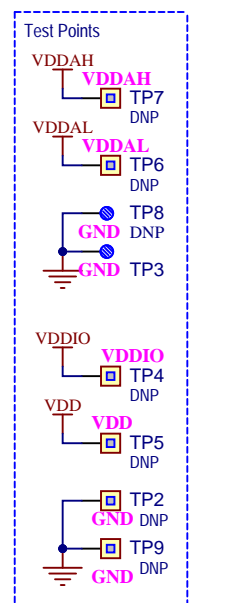
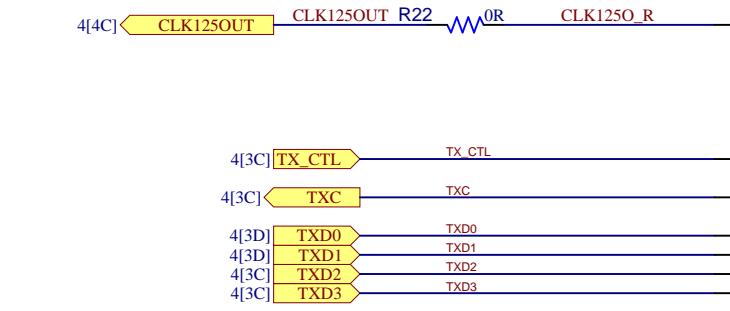
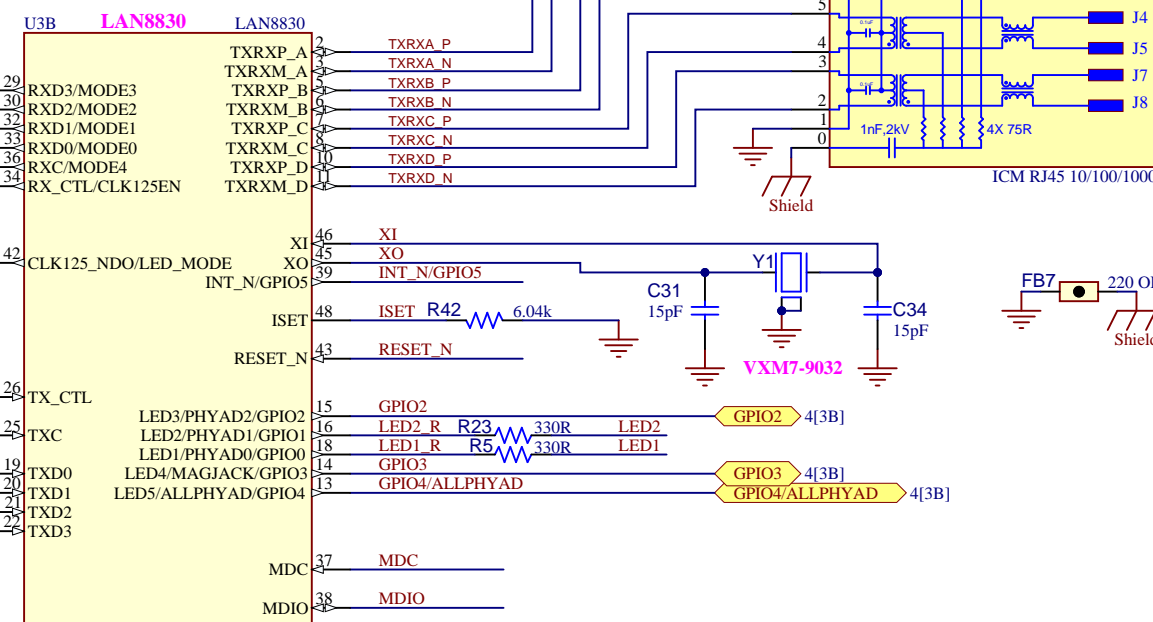
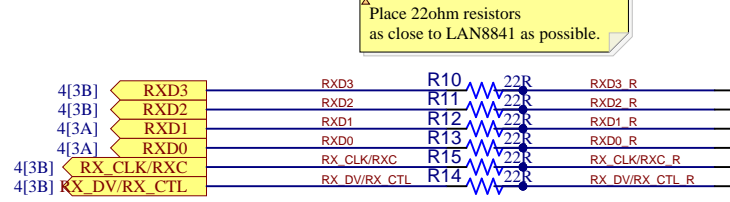
Revision	Date	Revision Summary	Author
A	07/29/2022	Initial release	John MacKay



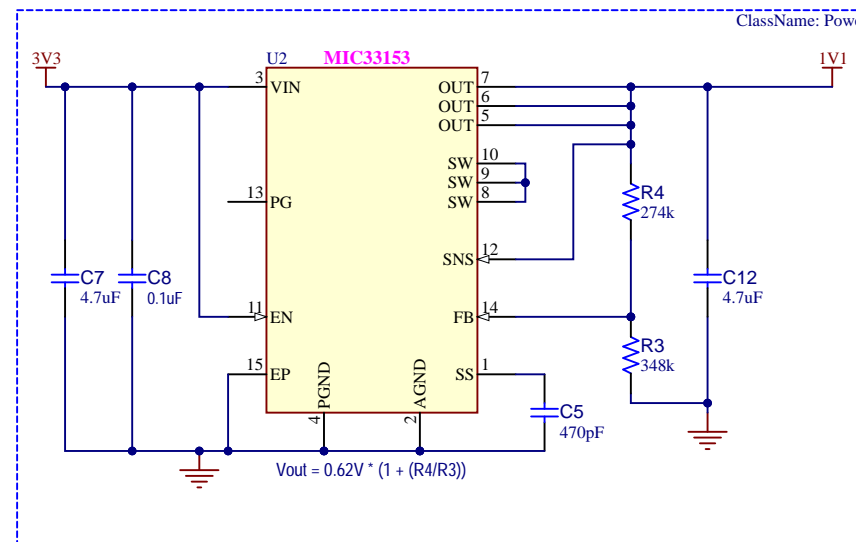
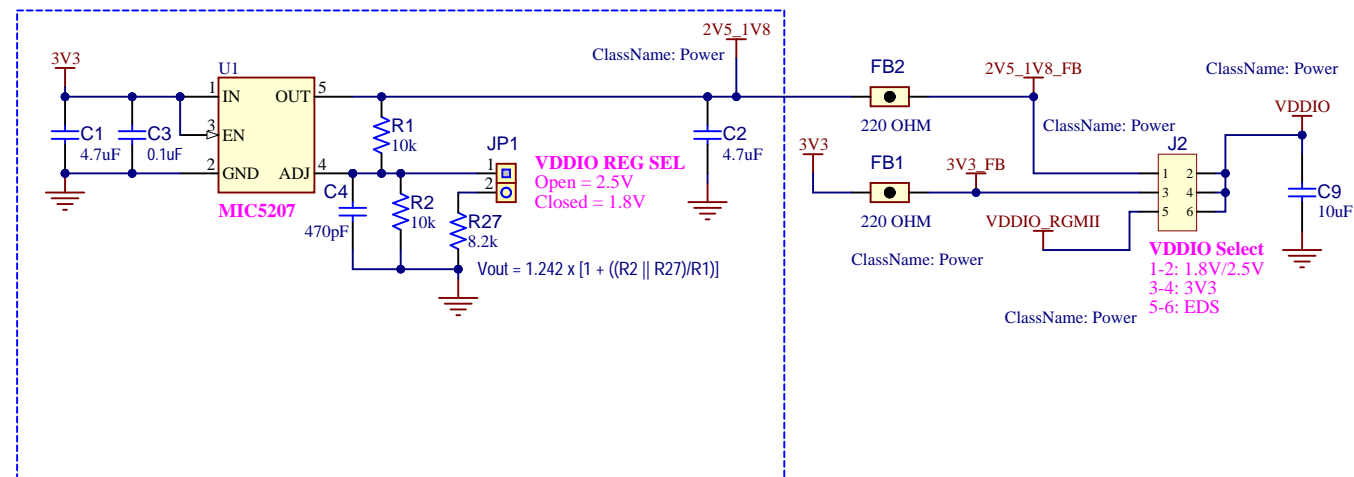
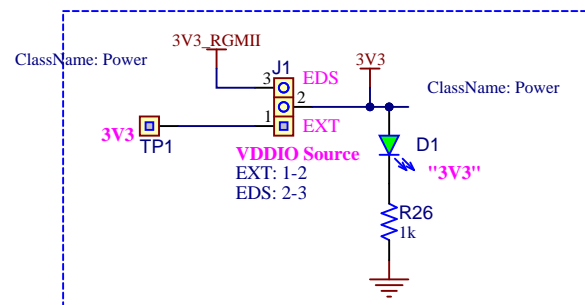
Project Owner: J. MacKay			
PCB Layout Contact: J. MacKay			
PartNumber: EV03V90A	Project Title <i>EVB-LAN8830 Gigabit Ethernet Plug-In Card</i>	Variant: [No Variations]	
Sheet Title Title		Designed with 	
Size B	SCH #: 03-00622 PCB #: 04-11714	Rev: 1 Rev: 1	Date: 9/21/2022 Sheet 1 of 3
File: 1_Title.SchDoc			



Place 22ohm resistors as close to LAN8841 as possible.



Drawn By: J. MacKay				
Engineer: J. MacKay				
PartNumber: EV03V90A	Project Title EVB-LAN8830 Gigabit Ethernet Plug-In Card	Variant: [No Variations]	 Altium.com	
Sheet Title LAN8830 PHY				
Size B	SCH #: 03-00622 PCB #: 04-11714	Rev: 1 Rev: 1		Date: 9/21/2022 Sheet 2 of 4
File: 2_PHY.SchDoc				



LABEL1

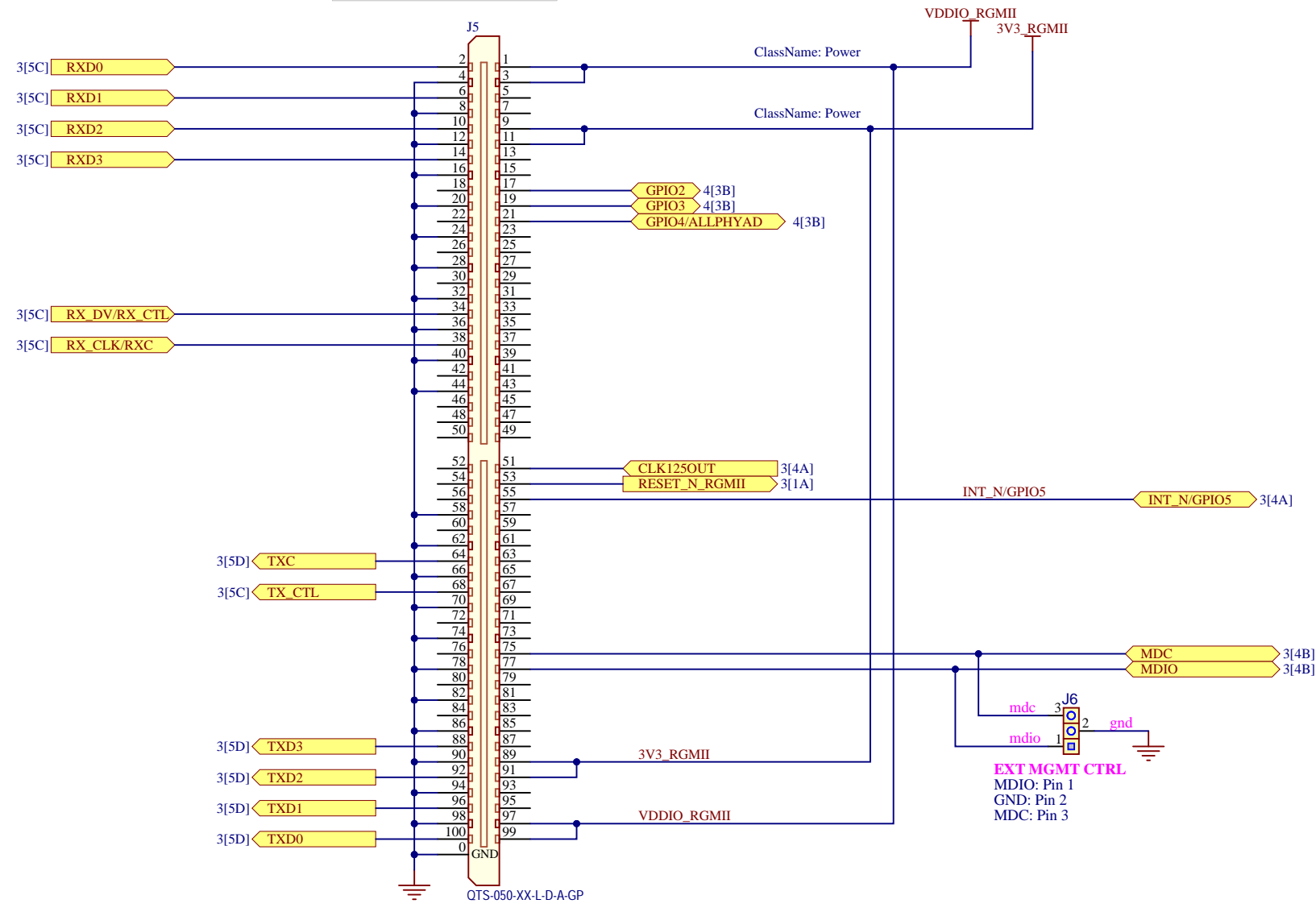
Product number/revision
Serial number

PCBA LABEL 18X6mm

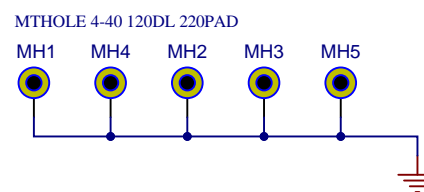
Fiducials

Project Owner: J. MacKay			
PCB Layout Contact: J. MacKay			
PartNumber: EV03V90A	Project Title EVB-LAN8830 Gigabit Ethernet Plug-In Card	Variant: [No Variations]	
Sheet Title LAN8830 Power		Designed with 	
Size B	SCH #: 03-00622	Rev: 1	Date: 9/21/2022
	PCB #: 04-11714	Rev: 1	Sheet 3 of 4
File: 3_Power.SchDoc			

PCB Layout Constraint: The RGMII TXC – TX signals & RXC – RX signals must be trace length matched between the DUT and the Hi-Speed RGMII connector.



Hi-Speed RGMII Connector mounted on bottom side.



Drawn By: J. MacKay			
Engineer: J. MacKay			
PartNumber: EV03V90A	Project Title EVB-LAN8830 Gigabit Ethernet Plug-In Card	Variant: [No Variations]	
Sheet Title LAN8830 RGMII Interface		Designed with 	
Size B	SCH #: 03-00622	Rev: 1	Date: 9/21/2022
	PCB #: 04-11714	Rev: 1	Sheet 4 of 4
File: 4_RGMII.SchDoc			