



REED SWITCH DEVELOPMENTS CORP.

2524 Norwood Court

Racine, WI 53403

Ph: (262)883-9060

sales@reedswitchdevelopments.com

SPECIFICATION SHEET

2010-1301-100 REV 001

Alternate Part Numbers:

AM2010-1301-10-01

3730-2010-1301-100-ND

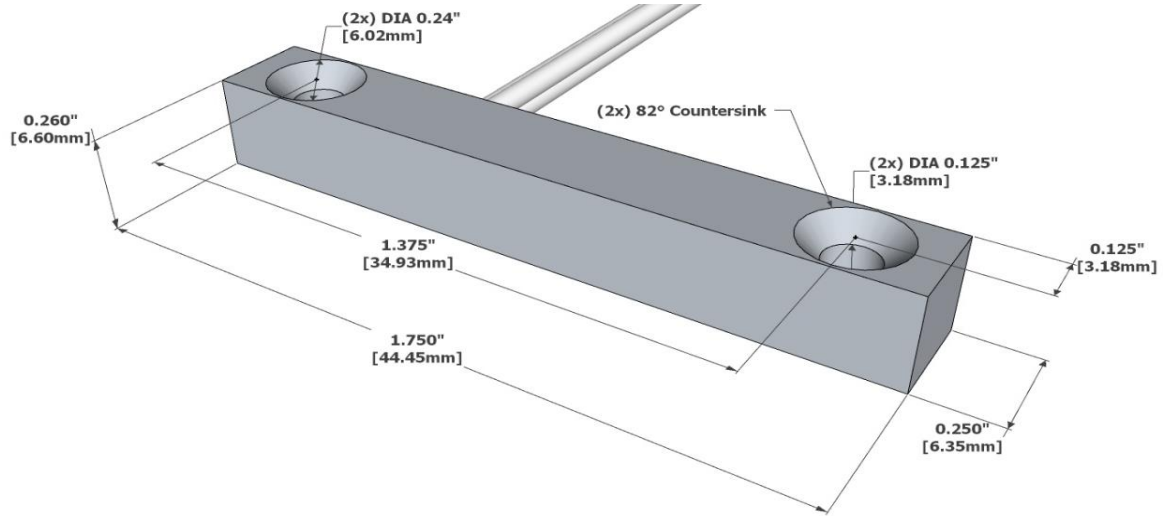
Active / Equivalent Part Numbers:

2010-1301-100 REV 001 - Magnetic Reed Sensor Only

AM2010-1301-10-01 - Magnetic Reed Sensor Only

3730-2010-1301-100-ND - Magnetic Reed Sensor Only

Sensor (Reed) - Specifications		1901 **
Physical	Configuration	SPDT
	Form	C
	Contact Position	OFFSET
	Glass L	14.00 mm
	Glass D	2.30 mm
	Total L*	55.00 mm
	Wire D	0.53 mm
	Gap Location	
	Mount Spec*	THRU
	Contact Material	RHODIUM
	Max Vibration Resistance	20 G
	Max Shock Resistance (11ms)	50 G
Lead Tensile Strength	N/A KG	
Operating	Pull in (+/- 2AT)*	15-20 AT
	Drop out*	5 AT
	Operate Time	2.0 ms
	Bounce Time	0.60 ms
	Release Time	0.50 µs
	Resonant Frequency	N/A Hz
	Max Operating Frequency	250 Hz
	Operating Temperature Range	-40 - 105 °C
	Storage Temperature	N/A °C
	Electrical	DC Contact Rating
AC Contact Rating		20 VA
DC Switching Voltage		150 VDC
AC Switching Voltage		150 VAC
DC Switching Current		1.00 A
AC Switching Current		1.00 A
DC Max Carry Current		2.00 A
AC Max Carry Current		2.00 A
Min Breakdown Voltage		200 VDC
Max Initial Contact Resistance		150 mOhm
Typical Initial Contact Resistance		N/A mOhm
Max Contact Capacitance		0.80 pF
Min Insulation Resistance		10 ⁹ Ohm



All measurements are in Inches [millimeters]

Sensor - Wire/Cable Characteristics (cont.)

Type	Wire
Conductor Count	3
Length	6.0"/152.4mm
Colors	RED, BLK, WHT
Insulation Material	PVC
Gauge	24 AWG
Stranded Copper	7 STR-TC
Maximum Temp	105°C

Conductor Configuration

Common (COM) - WHITE
Normally Open (NO) - RED
Normally Closed (NC) - BLACK

For More Information Visit:

www.reedswitchdevelopments.com

Or Call Us At:

262-883-9060

Housing Characteristics 2010

Rectangular w/ Mounting Holes	
Length	1.750"/44.45mm
Width	0.250"/6.35mm
Height	0.260"/6.60mm
Material	Celanex 3316

Standard Sensor/Actuator - Min. Actuation Distance

2010-4002-000	0.50"/12.7mm
---------------	--------------

Assembly Certifications

UL Recognized (File #: E102207)	Y
RoHS / Reach Compliant	Y
Conflict Free Material	Y

REV DATE: 04/20/2023

* Pre-processed, bare reed element

** THIS ASSEMBLY USES ALTERNATE REED

DISCLAIMER NOTICE: INFORMATION FURNISHED IS PROPRIETARY, AND IS BELIEVED TO BE ACCURATE AND RELIABLE, AND IS SUBJECT TO CHANGE WITHOUT NOTICE. IT SHALL BE THE RESPONSIBILITY OF THE BUYER TO ENSURE THAT THE GOODS ARE SUFFICIENT AND SUITABLE FOR THE PURPOSE OR PURPOSES INTENDED (WHETHER BY THE BUYER OR BY ANY THIRD PARTY) AND THAT THEIR CAPACITY AND PERFORMANCE IS NOT ADVERSELY AFFECTED BY ANY ITEMS USED IN THEIR INSTALLATION (WHERE RELEVANT) AND/OR IN CONNECTION WITH THEM.

WBE Certified - State of Wisconsin - MFR CAGE CODE: 32604

www.reedswitchdevelopments.com