



REED SWITCH DEVELOPMENTS CORP.

2524 Norwood Court
Racine, WI 53403
Ph: (262)883-9060

sales@reedswitchdevelopments.com

SPECIFICATION SHEET

2010-1166-100

Alternate Part Numbers:
AM2010-1166-10-01
3730-2010-1166-100-ND

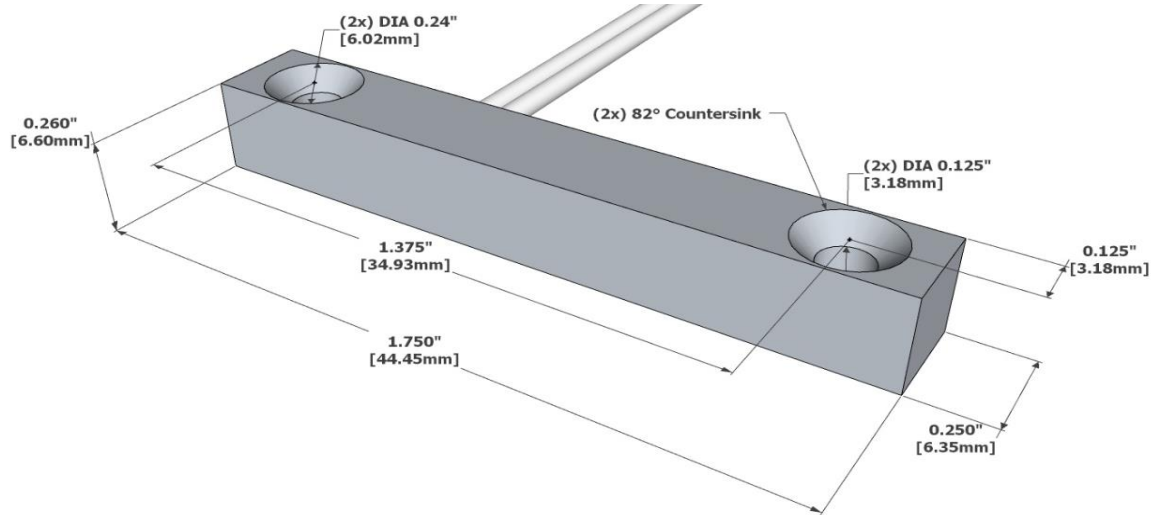
Active / Equivalent Part Numbers:

2010-1166-100 - Magnetic Reed Sensor Only

AM2010-1166-10-01 - Magnetic Reed Sensor Only

3730-2010-1166-100-ND - Magnetic Reed Sensor Only

Sensor (Reed) - Specifications		1166
Physical	Configuration	SPST
	Form	A
	Contact Position	CENTER
	Glass L	10.5 mm
	Glass D	2.2 mm
	Total L*	34.5 mm
	Wire D	N/A mm
	Gap Location	CENTER
	Mount Spec*	N/A
	Contact Material	N/A
	Max Vibration Resistance	20 G
	Max Shock Resistance (11ms)	50 G
	Lead Tensile Strength	N/A KG
Operating	Pull in (+/- 2AT)*	15-20 AT
	Drop out*	N/A AT
	Operate Time	0.5 ms
	Bounce Time	INCL ms
	Release Time	0.1 μs
	Resonant Frequency	N/A Hz
	Max Operating Frequency	N/A Hz
	Operating Temperature Range	-40 - 130 °C
	Storage Temperature	-55 - 130 °C
	Electrical	DC Contact Rating
AC Contact Rating		N/A VA
DC Switching Voltage		200 VDC
AC Switching Voltage		140 VAC
DC Switching Current		1.00 A
AC Switching Current		1.00 A
DC Max Carry Current		1.25 A
AC Max Carry Current		1.25 A
Min Breakdown Voltage		220 VDC
Max Initial Contact Resistance		150 mOhm
Typical Initial Contact Resistance		N/A mOhm
Max Contact Capacitance		0.30 pF
Min Insulation Resistance		10 ¹² Ohm



All measurements are in Inches [millimeters]

Sensor - Wire/Cable Characteristics (cont.)

Type	Wire
Conductor Count	2
Length	6.0"/152.4mm
Colors	BLK
Insulation Material	PVC
Gauge	24 AWG
Stranded Copper	7 STR-TC
Maximum Temp	105°C

Housing Characteristics 2010

Rectangular w/ Mounting Holes	
Length	1.750"/44.45mm
Width	0.250"/6.35mm
Height	0.260"/6.60mm
Material	Celanex 3316

For More Information Visit:
www.reedswitchdevelopments.com

Or Call Us At:
262-883-9060

Standard Sensor/Actuator - Min. Actuation Distance

2010-4002-000	0.41"/11.1mm
Assembly Certifications	
UL Recognized (File #: E102207)	Y
RoHS / Reach Compliant	Y
Conflict Free Material	Y

REV DATE: 04/20/2023

DISCLAIMER NOTICE: INFORMATION FURNISHED IS PROPRIETARY, AND IS BELIEVED TO BE ACCURATE AND RELIABLE, AND IS SUBJECT TO CHANGE WITHOUT NOTICE. IT SHALL BE THE RESPONSIBILITY OF THE BUYER TO ENSURE THAT THE GOODS ARE SUFFICIENT AND SUITABLE FOR THE PURPOSE OR PURPOSES INTENDED (WHETHER BY THE BUYER OR BY ANY THIRD PARTY) AND THAT THEIR CAPACITY AND PERFORMANCE IS NOT ADVERSELY AFFECTED BY ANY ITEMS USED IN THEIR INSTALLATION (WHERE RELEVANT) AND/OR IN

WBE Certified - State of Wisconsin - MFR CAGE CODE: 32604

www.reedswitchdevelopments.com

SUITABLE FOR THE PURPOSES OR FOR USES INTENDED (WHETHER BY THE BUYER OR BY ANY THIRD PARTY) AND THAT THEIR CAPACITY AND PERFORMANCE IS NOT ADVERSELY AFFECTED BY ANY ITEMS USED IN THEIR INSTALLATION (WHERE RELEVANT) AND/OR IN CONNECTION WITH THEM.