



M5STACK

Glass Unit w/ 1.51inch Transparent OLED

SKU: U158



Description

Unit Glass is a **1.51-inch transparent OLED** expansion screen unit. It adopts **STM32+SSD1309** driver scheme, **resolution is 128*64**, monochrome display, **transparent area is 128*56**. The MCU adopts **STM32F030F4P6**, which integrates **two input buttons** and **one way buzzer** to facilitate user interaction with the screen, and supports control and firmware upgrade through I2C (addr: **0x3C**) communication interface. This transparent OLED screen extension is suitable for embedding in various **home products** or **various control devices as a display panel**.

Features

- 128x56 transparent pixels (128x64 total pixels)
- Display area 35.5 x 18mm
- Glass area 42mm x 27.16mm
- 1-bit color depth
- I2C operation
- I2C Addresses: 0x3C
- Support for programming platforms: Arduino、UIFlow

Includes

- 1x Unit Glass

Applications

- Home products
- DIY toys

Specification

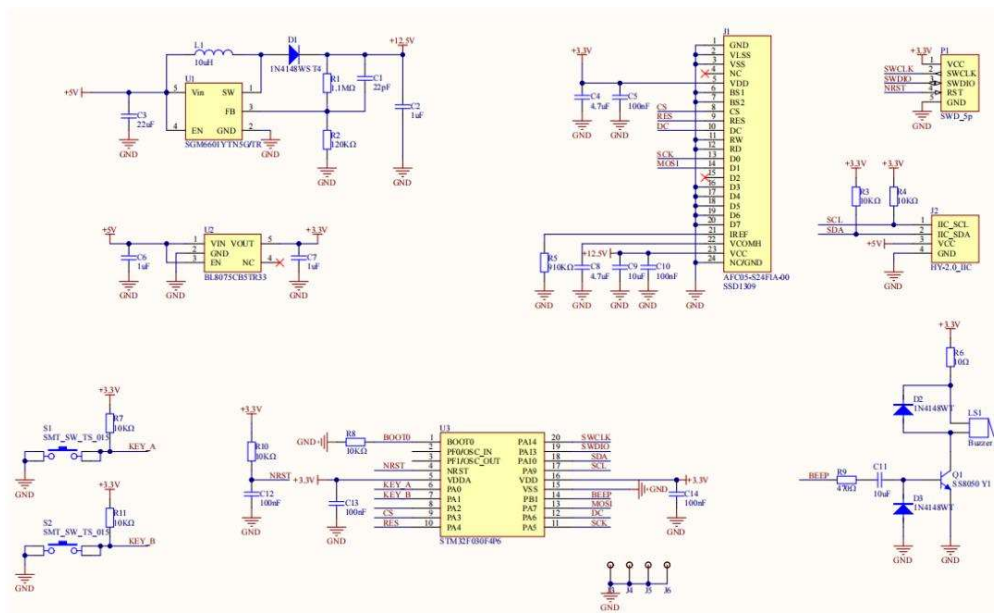
Resources	Parameters
MCU	STM32F030F4P6
Screen	1.51 inch transparent OLED
resolution	128*64
Display color	blue
Display area	35.05*18 (mm)
Panel size	42.04*27.16*1.25 (mm)
Perspective direction	Full view
Operating temperature	0-40°C
Logic voltage	3.3V
I2C address	0x3C
Product Size	53*42*2.3mm
Package Size	136mm × 92mm × 13mm
Product Weight	10g
Package Weight	15.2g



Related Link

- [STM32F030F4P6 Datasheet](#)
- [SSD1309 Driver](#)
- [12864 Transparent OLED](#)

Schematic



Module Size

