

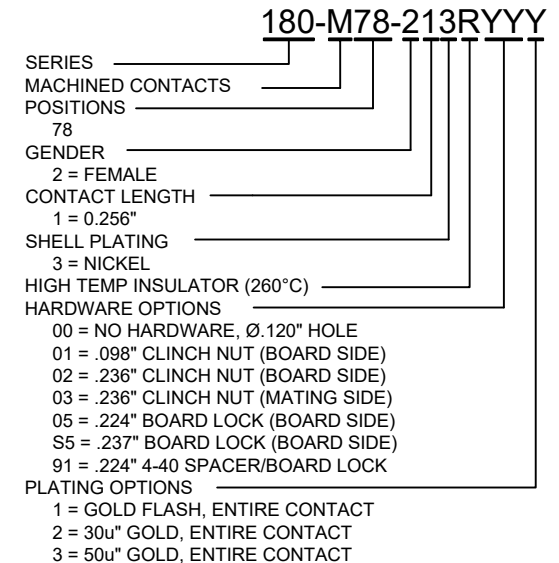
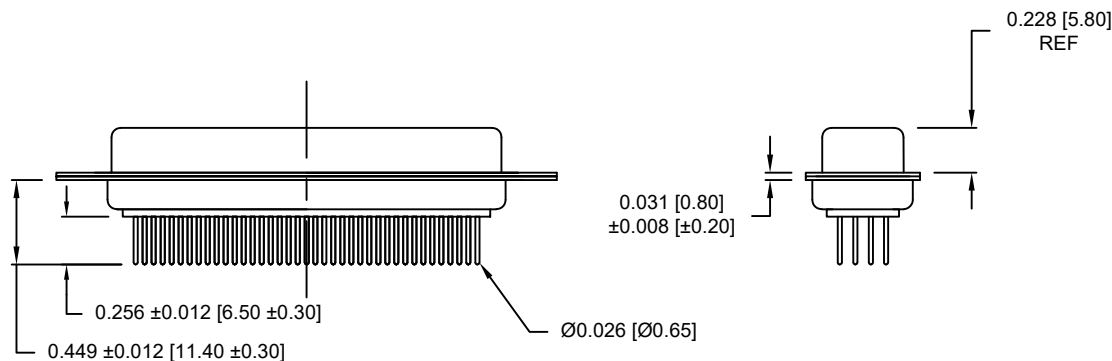
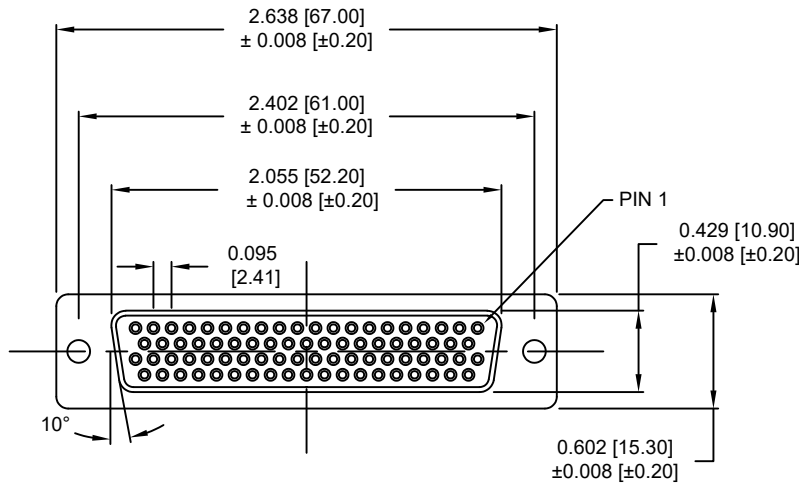
SPECIFICATIONS:

ELECTRICAL:

INSULATION RESISTANCE: 5 GΩ MIN.
 DIELECTRIC WITHSTANDING VOLTAGE: 1000 VAC FOR 1 MIN
 OPERATING TEMPERATURE: -55°C TO +125°C
 CONTACT RESISTANCE: 10 mΩ MAX.
 CONTACT AMPERAGE: 3 AMPS

MATERIALS:

CONTACTS: BRASS, SEE P/N KEY FOR PLATING
 INSULATOR: PA6T, UL94 V-0 RATED, BLACK
 260°C PROCESS TEMP.
 SHELL: NICKEL PLATED STEEL
 HARDWARE: NICKEL PLATED BRASS



RoHS COMPLIANT

UNITS = inch [mm]

DO NOT SCALE FROM DRAWING



THESE DRAWINGS AND SPECIFICATIONS ARE THE PROPERTY OF NorComp AND SHALL NOT BE REPRODUCED, COPIED OR USED AS THE BASIS FOR THE MANUFACTURE OR SALE OF APPARATUS WITHOUT WRITTEN PERMISSION.

DRAWN: M. SIGMON

DATE: 09/22/2016

NorComp

SCALE: NTS

SHEET 1 OF 3

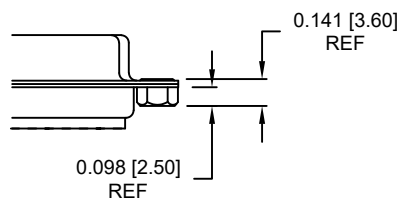
REV 4

DWG NO.

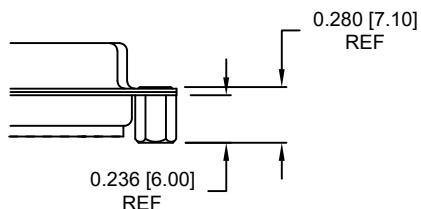
180-M78-213RYYY

ALL CLINCH-NUTS ARE 4-40 INTERNAL THREADS

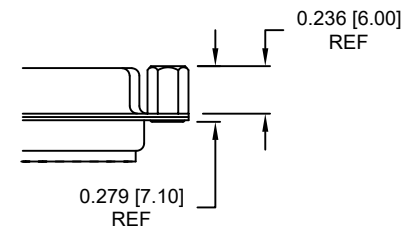
01 0.098" BOARD SIDE



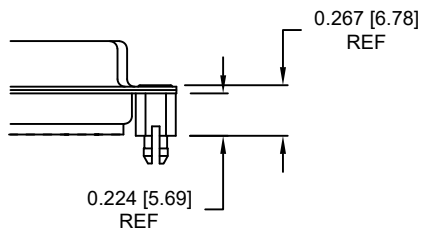
02 0.236" BOARD SIDE



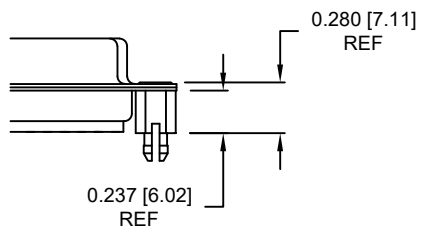
03..... 0.236" MATING SIDE



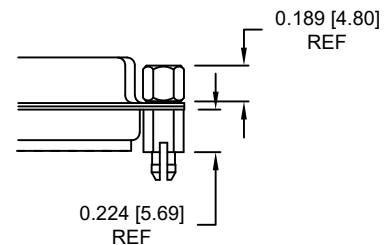
05 0.224" BOARD SIDE



S5 0.237" BOARD SIDE



91 0.224" BOARD SIDE
0.189" MATING SIDE



NOTE: 4-40 FEMALE SCREW LOCK IS REMOVABLE

RoHS COMPLIANT

UNITS = inch [mm]

DO NOT SCALE FROM DRAWING



THESE DRAWINGS AND SPECIFICATIONS ARE THE PROPERTY OF NorComp AND SHALL NOT BE REPRODUCED, COPIED OR USED AS THE BASIS FOR THE MANUFACTURE OR SALE OF APPARATUS WITHOUT WRITTEN PERMISSION.

DRAWN:
M. SIGMON

DATE:
09/22/2016

NorComp

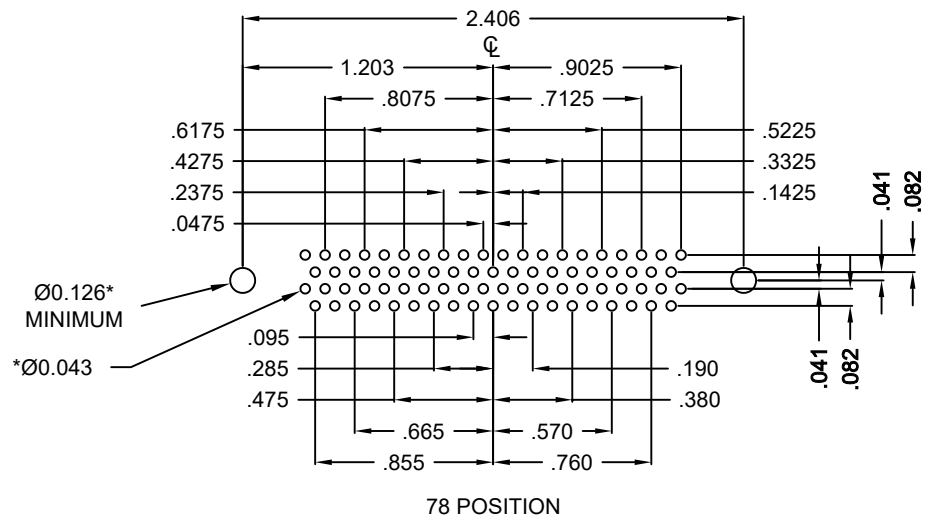
SCALE:
NTS

SHEET OF
2 3

REV
4

DWG NO.

180-M78-213RYYY



* TYP.
SUGGESTED SIZE
MAY NOT BE SUITABLE FOR ALL APPLICATIONS

RoHS COMPLIANT

UNITS = inch

DO NOT SCALE FROM DRAWING



THESE DRAWINGS AND SPECIFICATIONS ARE THE PROPERTY OF NorComp AND SHALL NOT BE REPRODUCED, COPIED OR USED AS THE BASIS FOR THE MANUFACTURE OR SALE OF APPARATUS WITHOUT WRITTEN PERMISSION.

DRAWN:
M. SIGMON
DATE:
09/22/2016

NorComp

SCALE: NTS	SHEET 3 OF 3	REV 4
DWG NO. 180-M78-213RYYY		