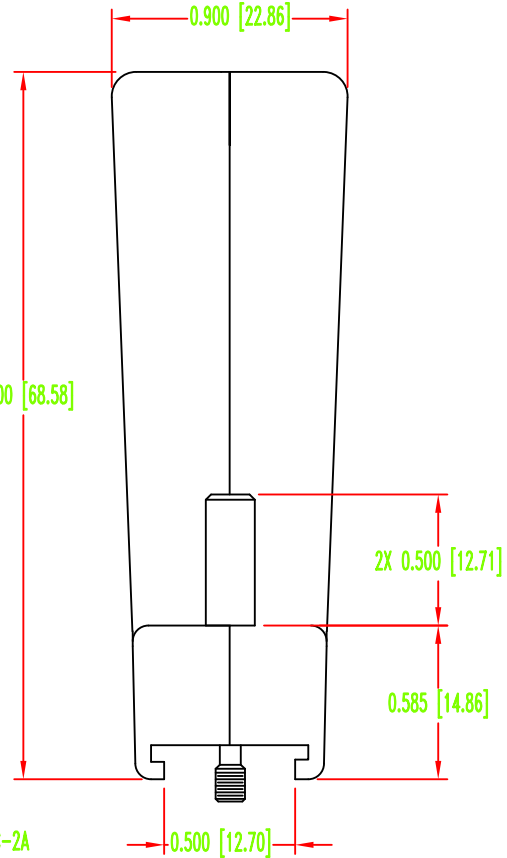
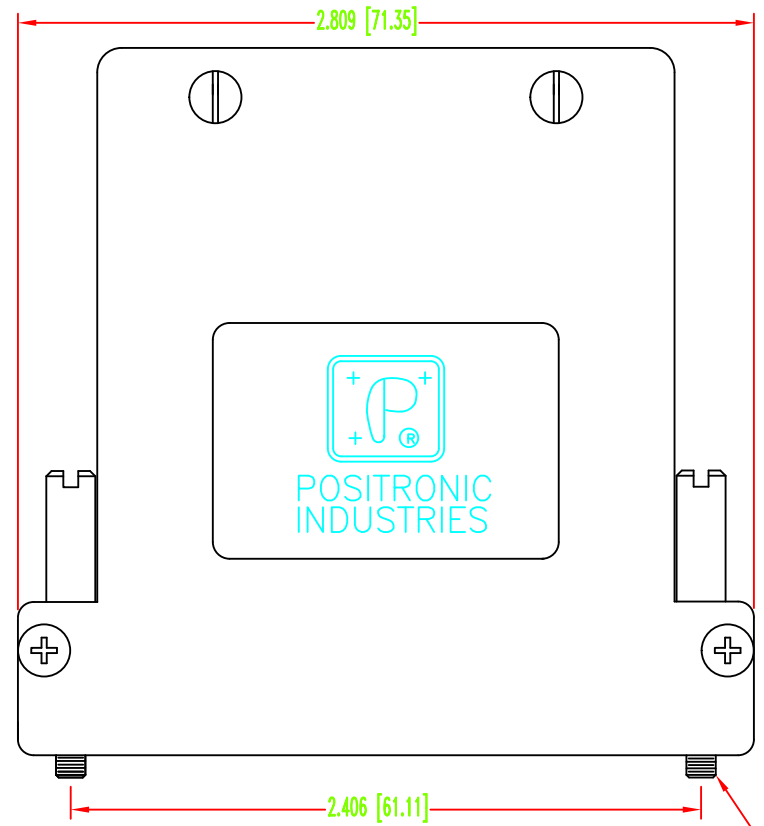
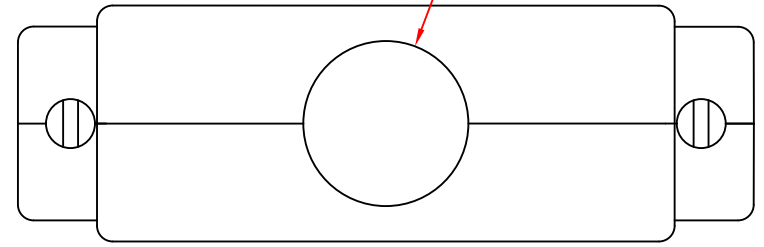


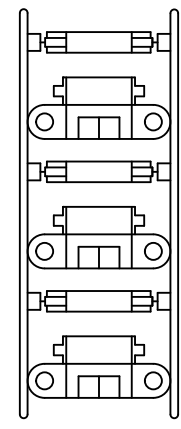
THIS DRAWING CONTAINS INFORMATION PROPRIETARY TO POSITRONIC AND ITS SUBSIDIARIES. POSITRONIC BELIEVES THE DATA ON THIS DRAWING TO BE RELIABLE. SINCE THE TECHNICAL INFORMATION IS GIVEN FREE OF CHARGE, THE USER EMPLOYS SUCH INFORMATION AT HIS OWN DISCRETION AND RISK. POSITRONIC ASSUMES NO RESPONSIBILITY FOR RESULTS OBTAINED OR DAMAGES INCURRED FROM USE OF SUCH INFORMATION IN WHOLE OR IN PART.

DATE	REV	REVISION RECORD	APP	DR	CK
11-30 18	B	ECO 63518	RK	SM	ND

CABLE OPENING
 $\varnothing 0.100$ [$\varnothing 2.54$] MIN.
 $\varnothing 0.630$ [$\varnothing 16.00$] MAX.



TYPICAL INSERT



INSERT TREE

INSERTS COME KITTED WITH HOODS.

(INSERT IMAGE REDUCED)

NOTES:

- MATERIAL AND FINISHES:
 HOOD, HOOD COVER AND INSERTS: CONDUCTIVE COMPOSITE, UL 94V-0, COLOR: BLACK.
 JACKSCREWS: STEEL, ZINC PLATE WITH CHROMATE SEAL.
 CABLE CLAMP: STEEL, NICKEL PLATE.
 COVER SCREWS: STEEL, ZINC PLATE WITH CHROMATE SEAL.
 CABLE CLAMP SCREWS: BRASS, ZINC PLATE WITH CHROMATE SEAL.
- DETAILED PRODUCT, ELECTRICAL AND MECHANICAL INFORMATION IS AVAILABLE IN THE LATEST D-SUBMINIATURE ACCESSORIES PRODUCT PUBLICATION AT CONNECTPOSITRONIC.COM.
- ACCESSORIES ARE COMPLIANT TO THE CURRENT ROHS DIRECTIVE.
- DIMENSIONS ARE IN INCHES [MILLIMETERS].

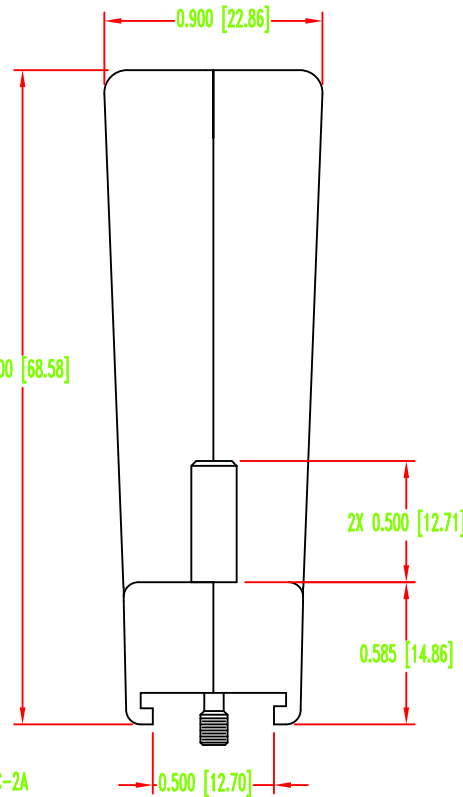
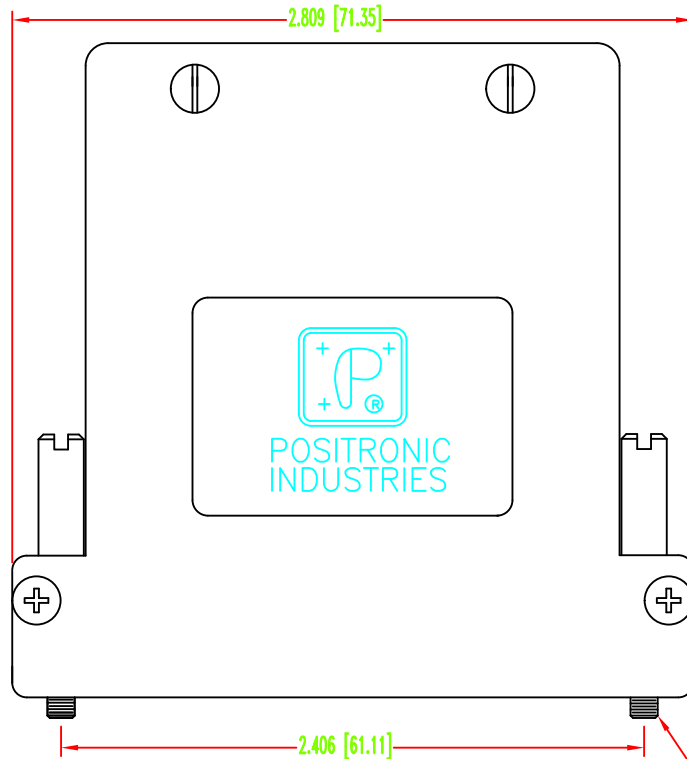
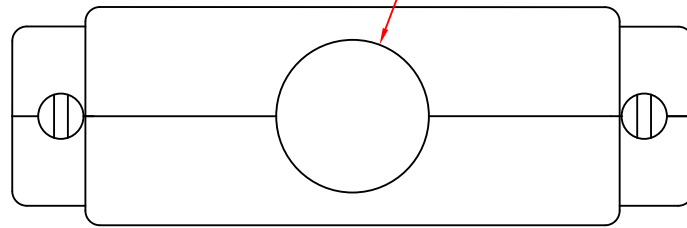
	POSITRONIC INDUSTRIES INC. SPRINGFIELD, MISSOURI 65801	
	D SERIES	SCALE N.T.S.
DECIMAL TOL. ± 0.015 [0.38]	TITLE D50000Z00/AA	
ANGULAR TOL. $\pm 5^\circ$	DATE 11-2-11	DRAWING NUMBER SK12918
		REV. B

SK12918

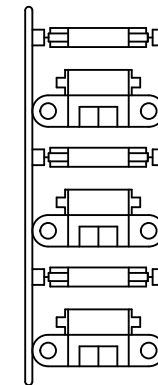
DATE	REV	REVISION RECORD	APP	DR	CK
11-30 18	B	ECO 63518	RK	SM	ND

THIS DRAWING CONTAINS INFORMATION PROPRIETARY TO POSITRONIC AND ITS SUBSIDIARIES. POSITRONIC BELIEVES THE DATA ON THIS DRAWING TO BE RELIABLE. SINCE THE TECHNICAL INFORMATION IS GIVEN FREE OF CHARGE, THE USER EMPLOYS SUCH INFORMATION AT HIS OWN DISCRETION AND RISK. POSITRONIC ASSUMES NO RESPONSIBILITY FOR RESULTS OBTAINED OR DAMAGES INCURRED FROM USE OF SUCH INFORMATION IN WHOLE OR IN PART.

CABLE OPENING
 $\varnothing 0.100$ [$\varnothing 2.54$] MIN.
 $\varnothing 0.630$ [$\varnothing 16.00$] MAX.



TYPICAL INSERT



INSERT TREE

INSERTS COME KITTED WITH HOODS.

(INSERT IMAGE REDUCED)

NOTES:

- MATERIAL AND FINISHES:
 HOOD, HOOD COVER AND INSERTS: CONDUCTIVE COMPOSITE, UL 94V-0, COLOR: BLACK.
 JACKSCREWS: STEEL, ZINC PLATE WITH CHROMATE SEAL.
 CABLE CLAMP: STEEL, NICKEL PLATE.
 COVER SCREWS: STEEL, ZINC PLATE WITH CHROMATE SEAL.
 CABLE CLAMP SCREWS: BRASS, ZINC PLATE WITH CHROMATE SEAL.
- DETAILED PRODUCT, ELECTRICAL AND MECHANICAL INFORMATION IS AVAILABLE IN THE LATEST D-SUBMINIATURE ACCESSORIES PRODUCT PUBLICATION AT CONNECTPOSITRONIC.COM.
- ACCESSORIES ARE COMPLIANT TO THE CURRENT ROHS DIRECTIVE.
- DIMENSIONS ARE IN INCHES [MILLIMETERS].

	POSITRONIC INDUSTRIES INC. SPRINGFIELD, MISSOURI 65801	
	D SERIES	SCALE N.T.S.
DECIMAL TOL. ± 0.015 [0.38]	DRAWN BY B. EVANS APPROVED BY COLE	
ANGULAR TOL. $\pm 5^\circ$	TITLE D50000Z00/AA	
DATE 11-2-11	DRAWING NUMBER SK12918	REV. B