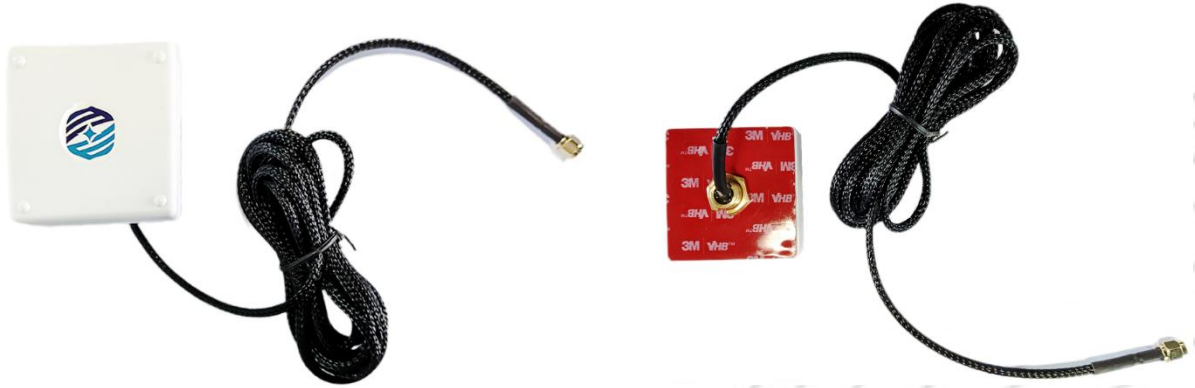
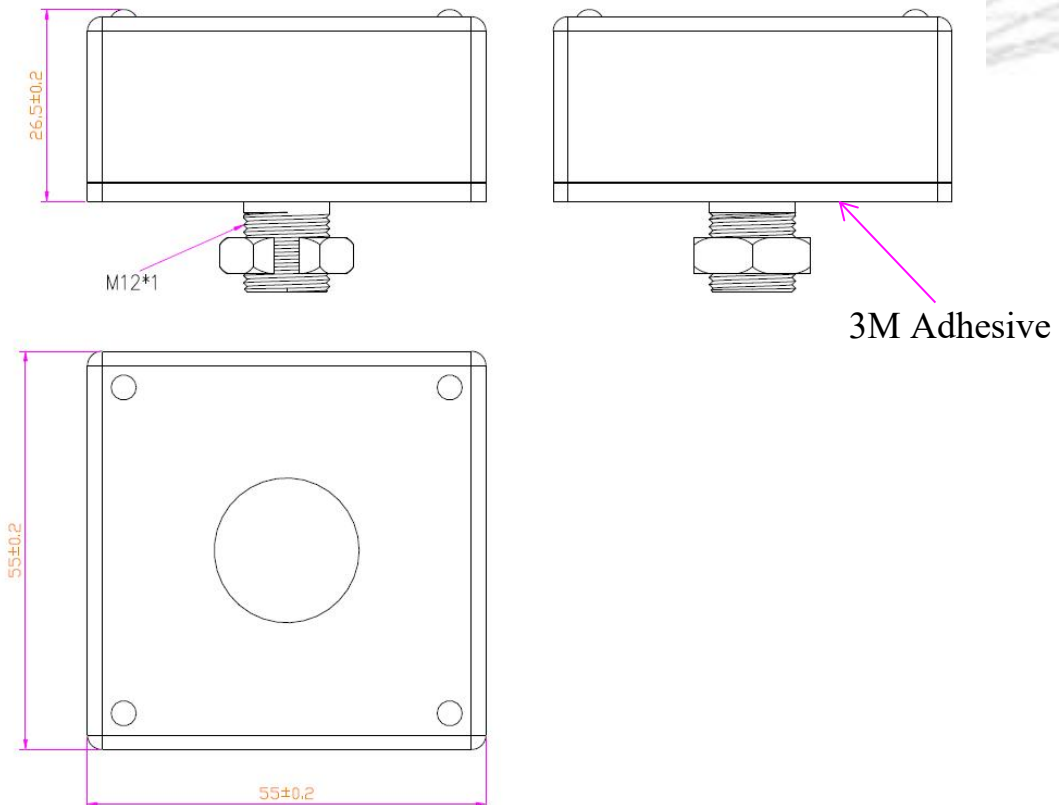


# GNSS IP67 Waterproof GNSS High Gain Positioning Antenna

## AN\_GNSS\_401



### Mechanical Dimension



# GNSS IP67 Waterproof GNSS High Gain Positioning Antenna

## Specifications

Item	Specifications	
Antenna	Frequency Range	1561.098~1602MHz GPS L1 GLONASS G1 GAILEO E1 BEIDOU B1
	Polarization	RHCP
	Gain	5dBic@PCB (Zenith)
	V.S.W.R	<1.5
	Impedance	50Ω
	Axial Ratio	3dB (max)
	Dimension	55 *55 *26.5mm
LNA	Gain	28 ± 2dB
	Noise Figure	≤1.5dB
	Filter Insertion Loss	<3dB
	Supply Voltage	3~5V DC
	Current Consumption	< 20mA
	V.S.W.R	<2.0
Mechanical	Cable	RG174 (3M)
	Connector	SMA
	Radome Material	ASA
	Mounting Method	Screw+3M Adhesive
Environmental	Operating Temperature	-40°C~+85°C
	Relative Humidity	Up to 95%
	Waterproof	IP67 (EURO: EN 60529:1991+A1:2000+A2:2013+AC:2019 CHINA: GB/T4208-2017)
	Vibration	10 to 55Hz with 1.5mm amplitude 2hours
	Environmentally Friendly	ROHS Compliant
	UV Stabilized	YES

# GNSS IP67 Waterproof GNSS High Gain Positioning Antenna

## AN\_GNSS\_401

### Radiation Patterns

