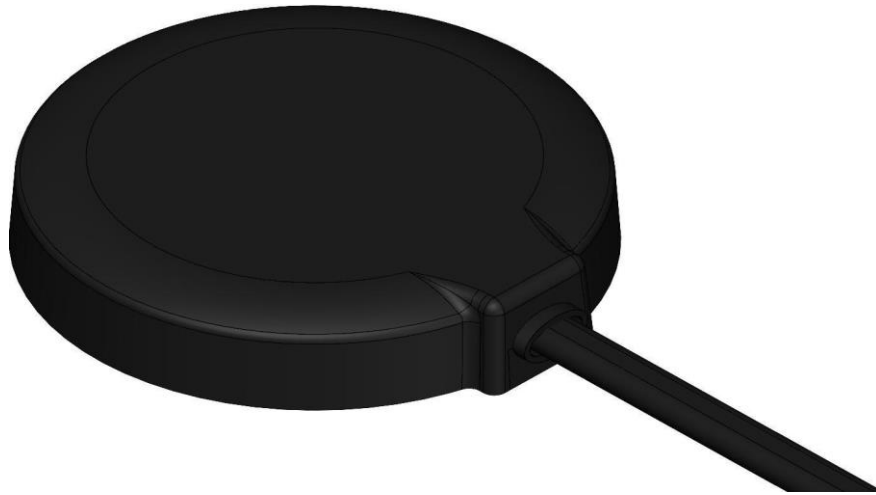
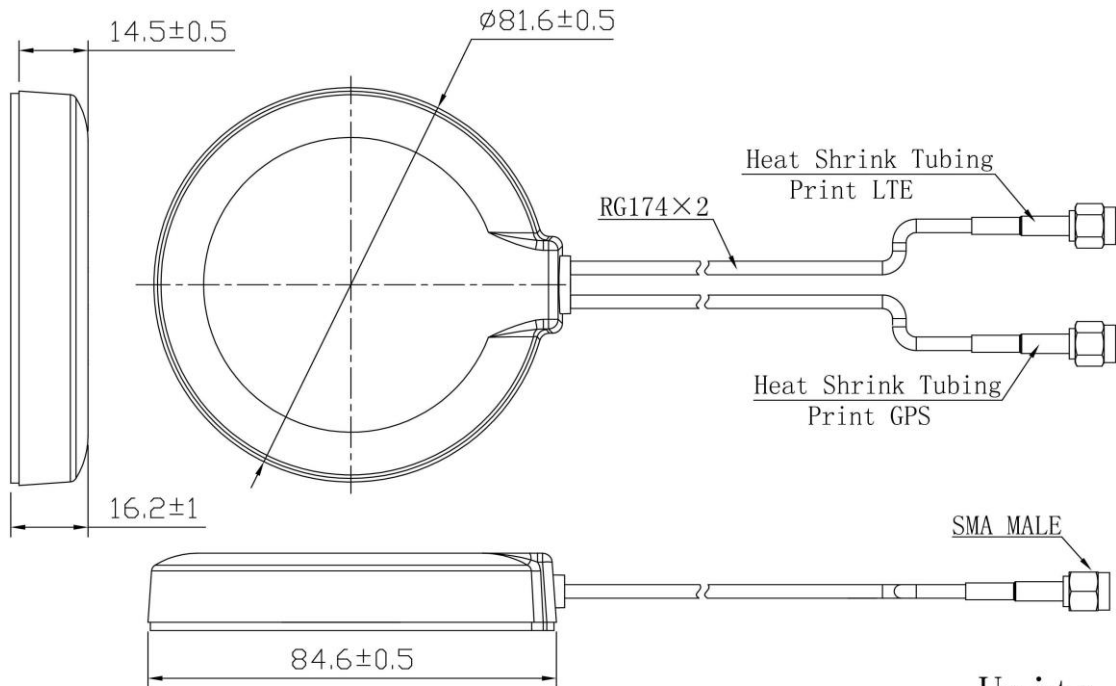


2 Combo Antenna 4G LTE and GPS Magnet 700MHz included

AN_GPS_LTE_305



Mechanical dimension



Unit: mm

2 Combo Antenna 4G LTE and GPS Magnet 700MHz included

AN_GPS_LTE_305

Specifications

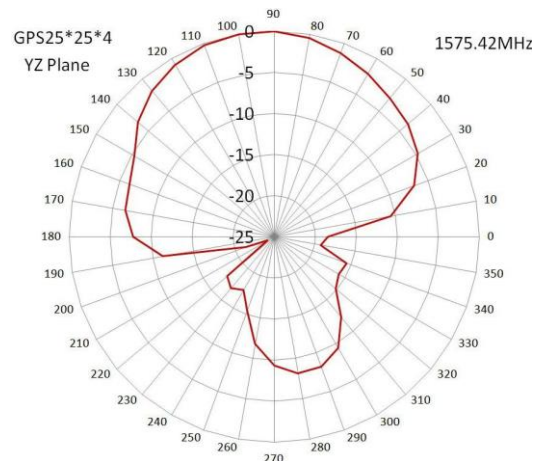
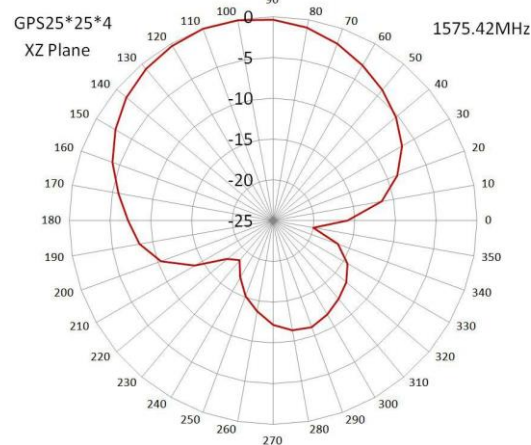
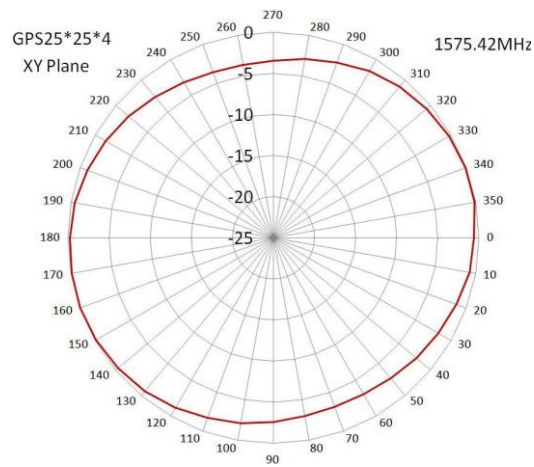
Item		Specifications	
GPS Antenna	Dielectric Antenna	Center Frequency	1575.42±3MHz
		Band Width	CF±5MHz
		Polarization	RHCP
		Gain	2dBic (Zenith)
		V.S.W.R	<1.5
		Impedance	50Ω
		Axial Ratio	3dB (max)
	LNA	Gain	28±2dB
		Noise Figure	<1.5dB
		V.S.W.R	<2.0
		Supply Voltage	2.2~5V DC
		Current Consumption	<15mA
LTE Antenna		Frequency Range	698~960MHz/1710~2690MHz
		V.S.W.R	<3.0
		Polarization	Linear
		Gain	2.5dBi
		Impedance	50Ω
Mechanical		Cable	RG174 3 meters
		Connector	SMA male
		Material	ABS
		Mounting Method	Adhesive/Magnet
Environmental		Operating Temperature	-40°C~+85°C
		Relative Humidity	Up to 95%
		Ingress Protection	IP67
		Vibration	10 to 55Hz with 1.5mm amplitude 2hours
		Environmentally Friendly	ROHS Compliant

2 Combo Antenna 4G LTE and GPS Magnet 700MHz included

AN_GPS_LTE_305

Radiation Patterns

GPS Antenna



2 Combo Antenna 4G LTE and GPS Magnet 700MHz included

AN_GPS_LTE_305

Radiation Patterns

LTE Antenna

