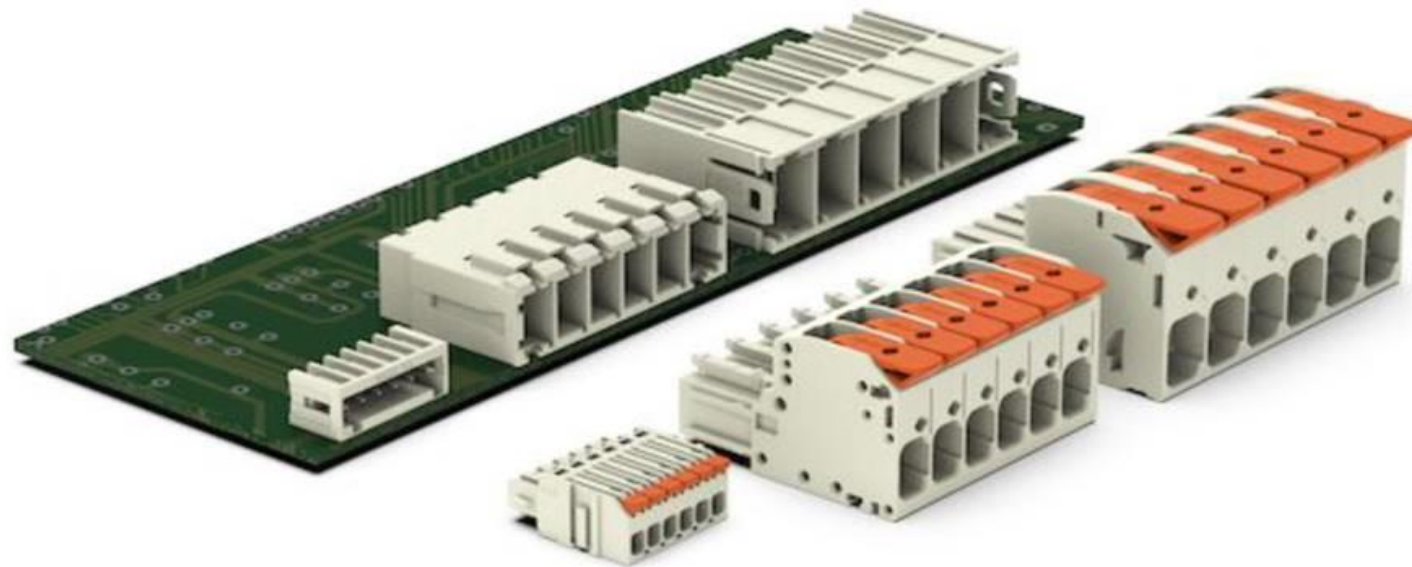


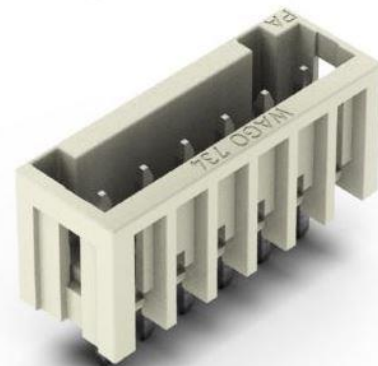
# 2734 Series 1-Conductor Female Connector WAGO “Leverlution”



# MCS MINI with lever 2734 Series - Initial Range

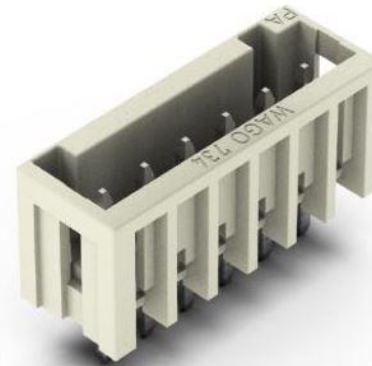
1-Conductor-Female  
Connector

2-8, 10, 12 & 16 poles



1-Conductor-Female  
Connector with centered  
interlocking

4-8, 10, 12 & 16 poles





# Supplementary Catalog 2021 / 2

1-conductor female connector ▶ *MCS MINI* ▶ 2734 Series

Pin spacing: 3.5 mm / 0.138 inch ▶ Actuation type: Lever ▶ Push-in CAGE CLAMP® ▶ Conductor entry direction to mating direction: 0 ° ▶ Color: light gray



- Intuitive and tool-free lever actuation
- Universal connection for all conductor types
- Push-in termination of solid or ferruled conductors
- Test slot 90° to conductor entry
- 100% protected against mismatching
- Coding option available

# Supplementary Catalog 2021 / 2

## Electrical Data

Ratings per	IEC/EN 60664-1		
Overvoltage category	III	III	II
Pollution degree	3	2	2
Nominal voltage	160 V	160 V	320 V
Rated surge voltage	2.5 kV	2.5 kV	2.5 kV
Rated current	10 A	10 A	10 A

Approvals per	UL 1059		
Use group	B	C	D
Rated voltage	300 V	-	300 V
Rated current	10 A	-	10 A

Approvals per	CSA		
Use group	B	C	D
Rated voltage	300 V	-	300 V
Rated current	10 A	-	10 A

## Connection Data

Connection technology	Push-in CAGE CLAMP®
Strip length	9 ... 10 mm / 0.35 ... 0.39 inch
Solid conductor	0.14 ... 1.5 mm <sup>2</sup> / 26 ... 14 AWG
Solid conductor; push-in termination	0.34 ... 1.5 mm <sup>2</sup> / 22 ... 14 AWG
Fine-stranded conductor	0.14 ... 1.5 mm <sup>2</sup> / 26 ... 14 AWG
Fine-stranded conductor; with insulated ferrule	0.14 ... 0.75 mm <sup>2</sup>
Fine-stranded conductor; with uninsulated ferrule	0.14 ... 1 mm <sup>2</sup>

## Material Data

Material group	I
Insulation material	Polyamide (PA66)
Flammability class per UL94	V0
Clamping spring material	Chrome nickel spring steel (CrNi)
Contact material	Copper alloy
Contact plating	Tin-plated

## Environmental Requirements

Limit temperature range	-60 ... +100 °C
-------------------------	-----------------

# Supplementary Catalog 2021 / 2

Locking of plug-in connection: Without

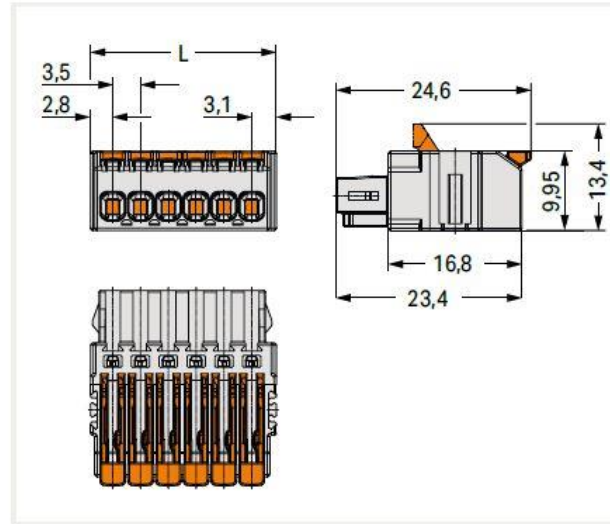


Locking of plug-in connection: Center locking lever

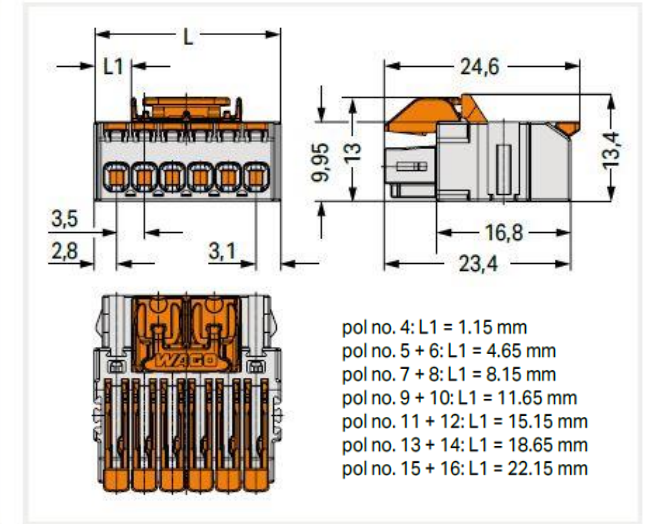


Pole No.	Item No.	PU
2	2734-1102/327-000	200
3	2734-1103/327-000	200
4	2734-1104/327-000	100
5	2734-1105/327-000	100
6	2734-1106/327-000	100
7	2734-1107/327-000	100
8	2734-1108/327-000	50
10	2734-1110/327-000	50
12	2734-1112/327-000	50
16	2734-1116/327-000	25

Pole No.	Item No.	PU
4	2734-1104/328-000	50
5	2734-1105/328-000	50
6	2734-1106/328-000	50
7	2734-1107/328-000	50
8	2734-1108/328-000	50
10	2734-1110/328-000	50
12	2734-1112/328-000	50
16	2734-1116/328-000	25



$$L = (\text{pole no.} \times \text{pin spacing}) + 2.4 \text{ mm}$$



- pol no. 4: L1 = 1.15 mm
- pol no. 5 + 6: L1 = 4.65 mm
- pol no. 7 + 8: L1 = 8.15 mm
- pol no. 9 + 10: L1 = 11.65 mm
- pol no. 11 + 12: L1 = 15.15 mm
- pol no. 13 + 14: L1 = 18.65 mm
- pol no. 15 + 16: L1 = 22.15 mm

$$L = (\text{pole no.} \times \text{pin spacing}) + 2.4 \text{ mm}$$

Accessories; for all products on this page



Jumper; Pole No.: 2		
Color	Item No.	PU
○ light gray	2734-402	25

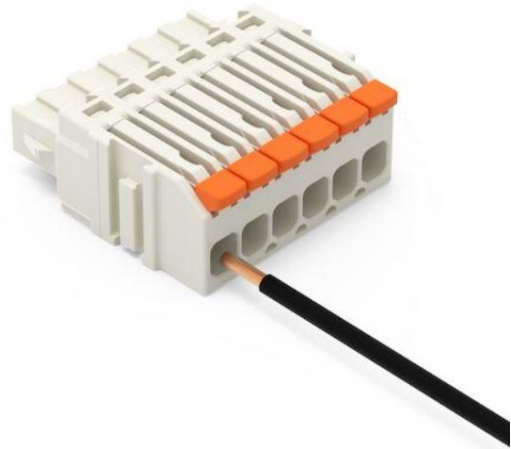


Coding pin carrier with 5 coding pins		
Color	Item No.	PU
● orange	2734-505	25

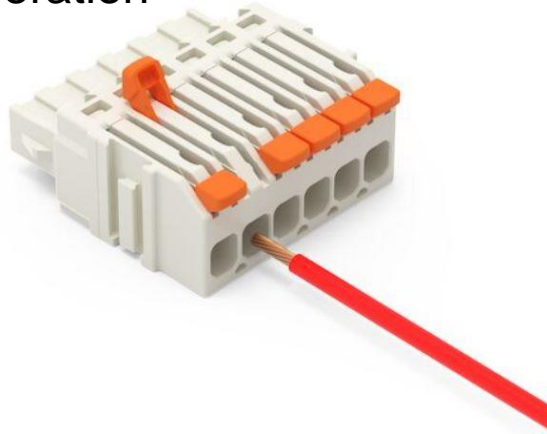
PU = Packaging Unit; SPU = Subpackaging Unit; Dimensions in mm

# MCS MINI with lever 2734 Series - Conductor termination & removal

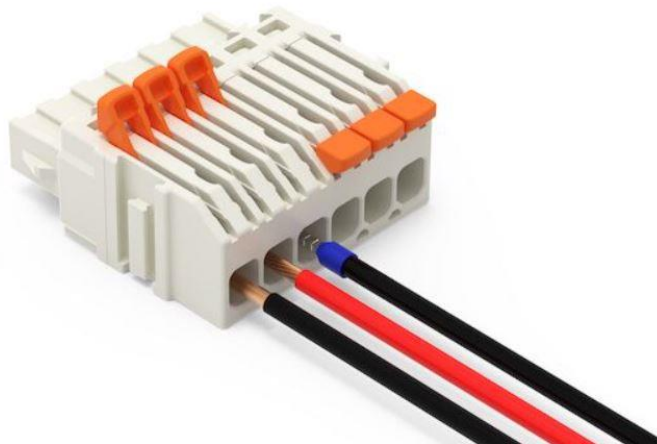
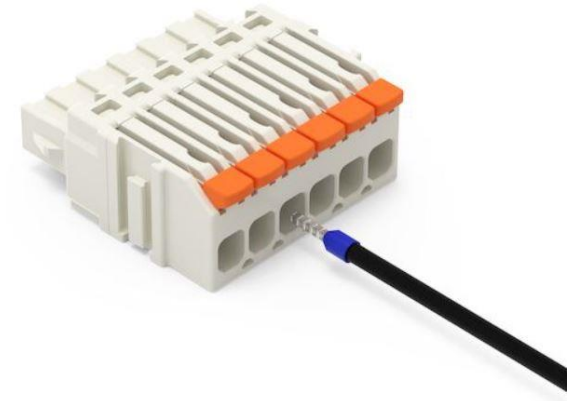
Direct push-in of solid conductors



Flexible conductors with lever operation

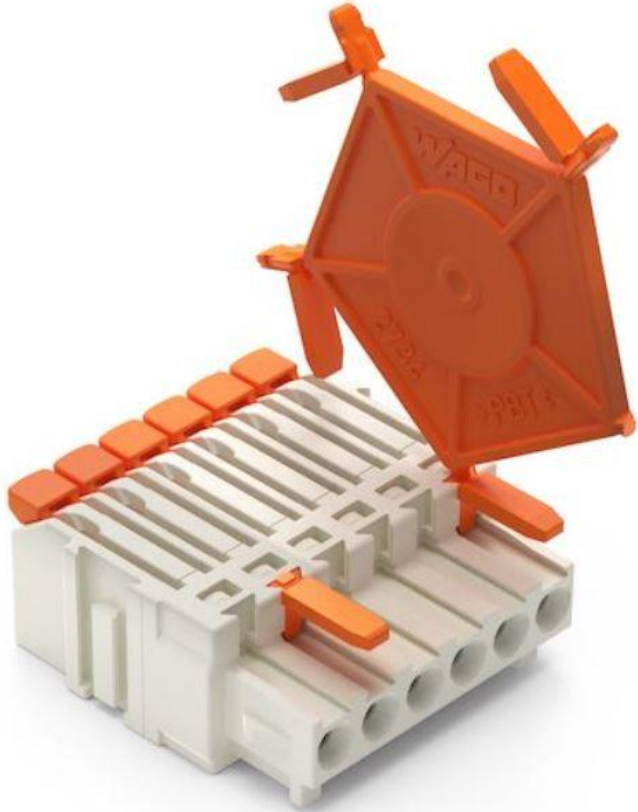


Direct push-in of flexible conductors with ferrules



Removal of conductors with lever operation

# MCS MINI with lever 2734 Series - Coding



MCS MINI female connectors with lever - standard suffix / 0327-0000 will come without coding fingers  
Where Field Coding is required a separate Carrier with coding fingers has to be used.



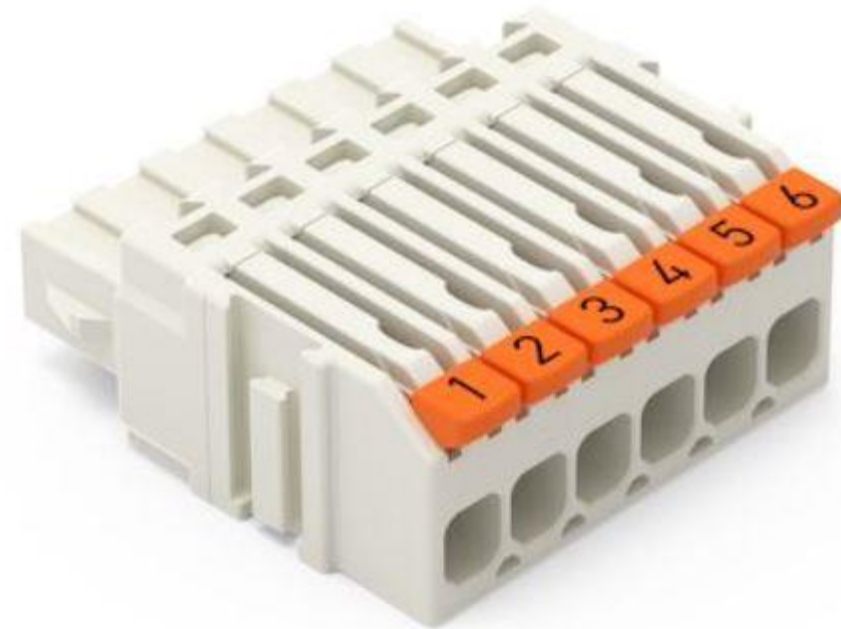
2734-505 Coding carrier



# MCS MINI with lever 2734 Series - Printing

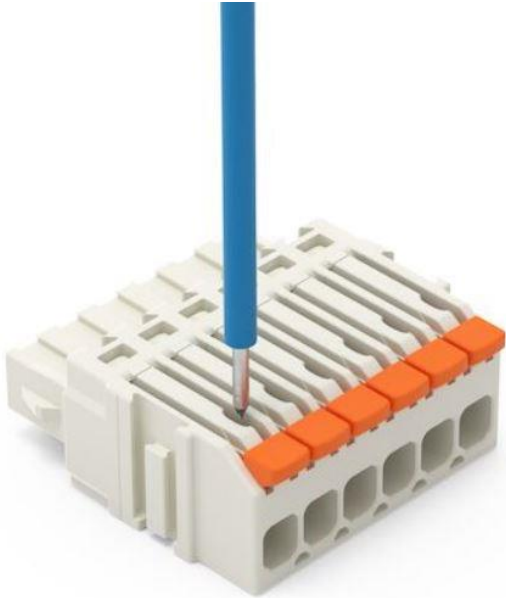


Direct Printing from wire entry side

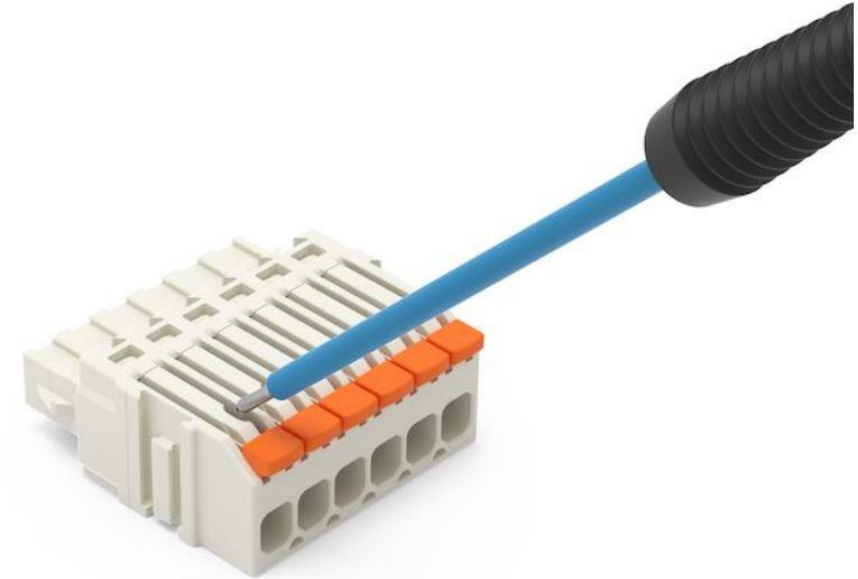
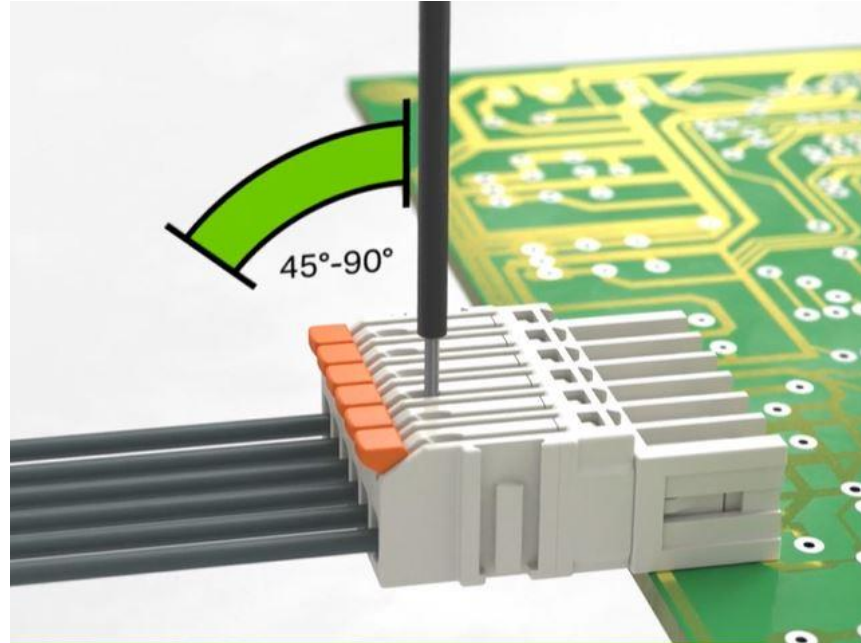


Direct Printing from top side

# MCS MINI with lever 2734 Series - Testing

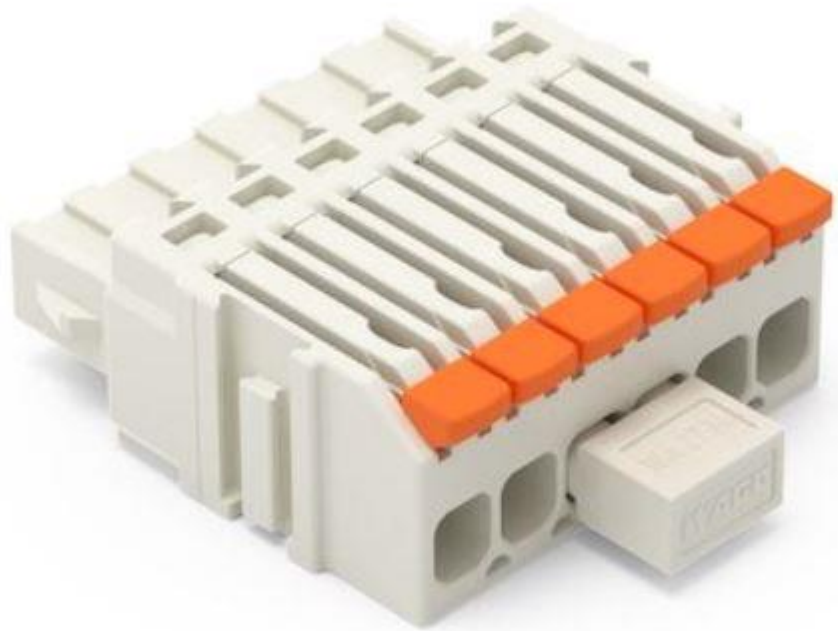


Testing from top side ( 90°)  
Test pin 1mm  
735-500

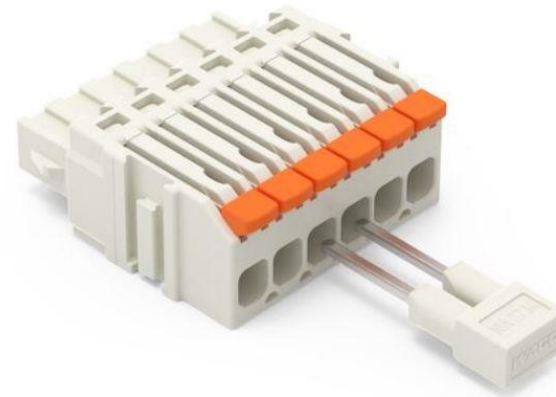


Range for Testing (45°- 90°)

# MCS MINI with lever 2734 Series - Jumper



2734-402 Jumper push-in type 2-way, 10 A



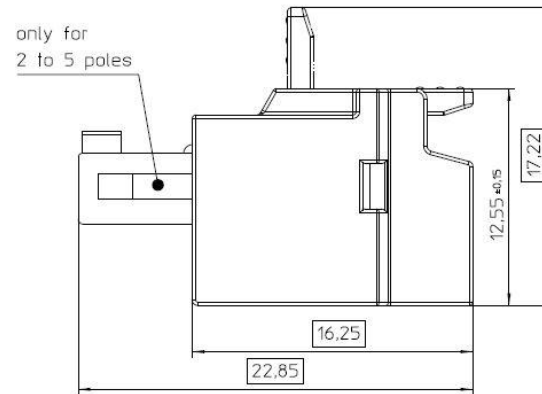
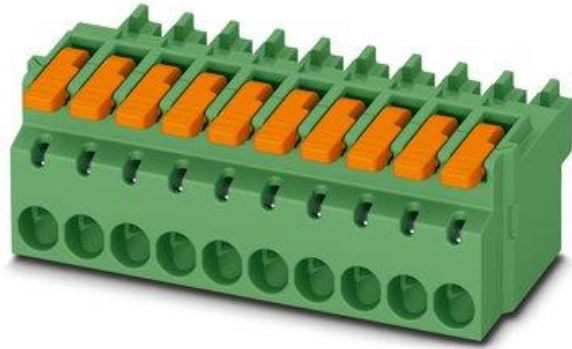
Direct push-in of jumper



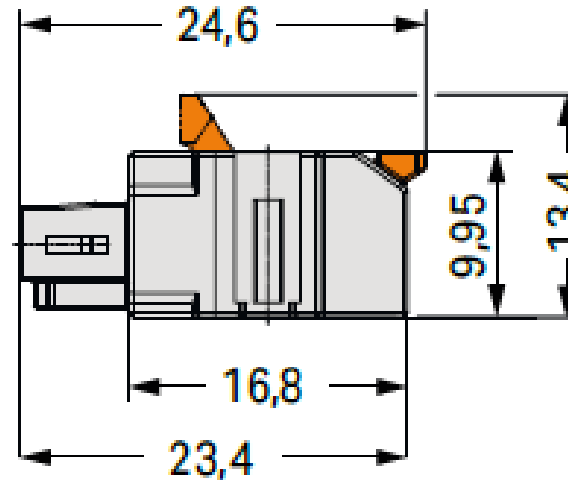
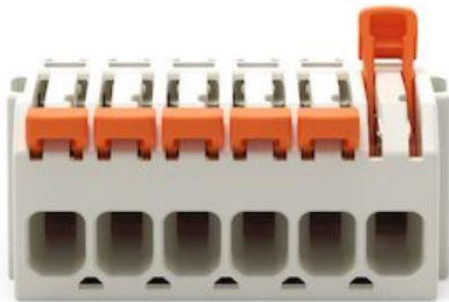
Removal of jumper

# MCS MINI with lever – Competitor products

LPC 1.5/ ... -ST-3.81mm



**Height 12.55 mm!!**  
**Pin Spacing 3.81mm**  
**8 A**



**Height 9.95 mm!!**  
**Pin Spacing 3.5mm**  
**10 A**

2734-1106/0327-0000

3.5mm

**WAGO**