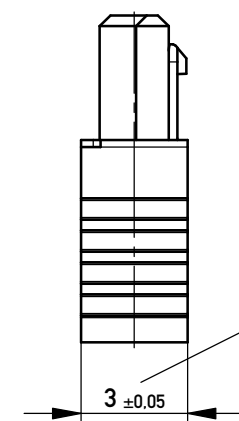
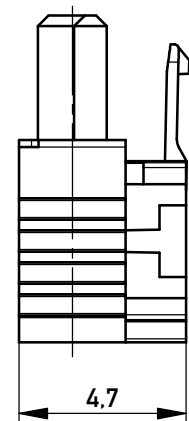
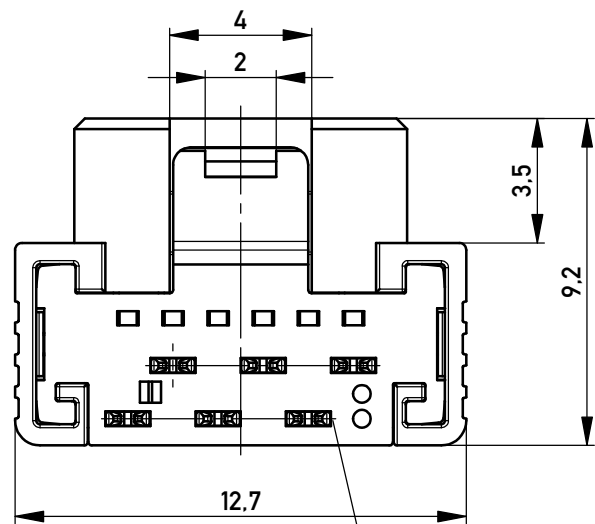
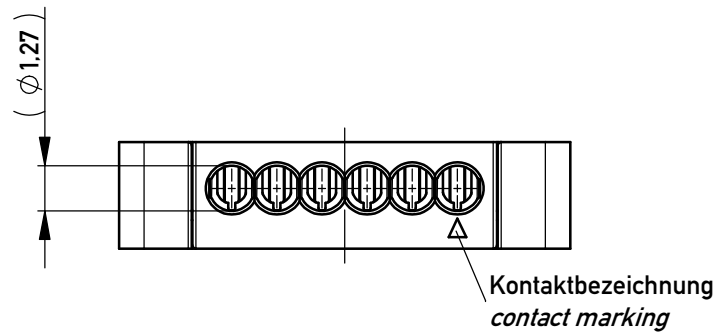
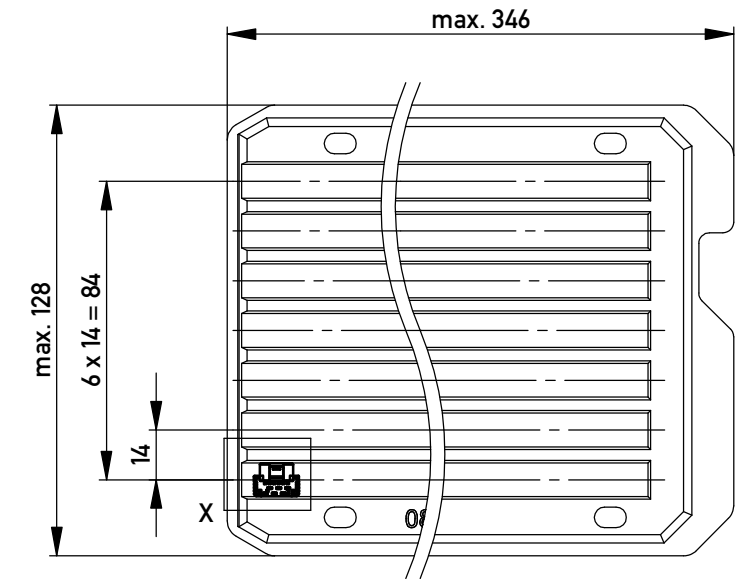


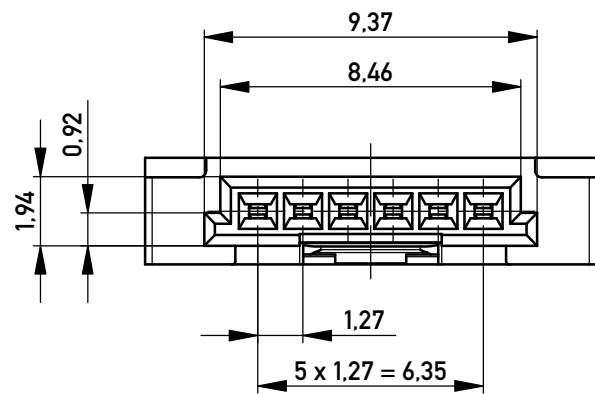
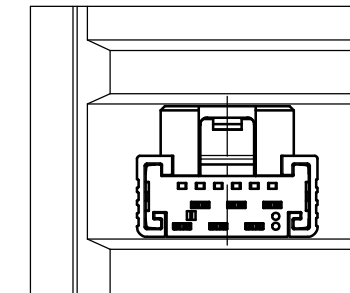
Verpackt in Tray - tray packaging  
 Verpackungseinheit 168 Stück - packaging unit 168 pcs



Funktionsrelevantes Prüfmerkmal  
 siehe Verarbeitungsspezifikation  
 MiniBridge ERNI Electronics GmbH



Einzelheit X - detail X  
 M 2:1



Federkontakt AWG 22 - Female Contact AWG 22  
 Kabelführung Ø1,27 - cable guide Ø1,27

nur mit Hilfsmittel lösbar  
 only with tool unlockable

Copyright by ERNI GmbH Proprietary notice pursuant to ISO 16016 to be observed.	Information:	Tolerances	All Dimensions in mm	Scale	5:1
	All rights reserved. Only for Information. To ensure that this is the latest version of this drawing, please contact one of the ERNI companies before using.	Subject to modification without prior notice. Drawing will not be updated.	Designation <b>F 1,27 SRC A IDC 06-pin</b> <b>d=1,27 AWG 22 Positive Lock</b>		<b>464244</b>
a Index	19.05.2015 Date	www.ERNI.com	Class SRCA		I A3