

H-PIN H038

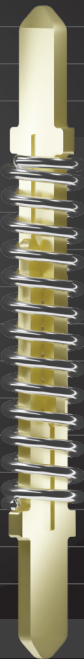
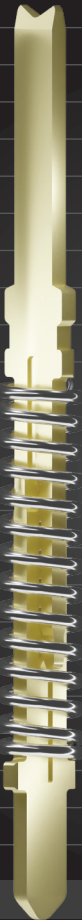


The H-Pin H038 Series has an outside dimension of 0.38 mm and is ideally suited for applications with 0.50 mm pitch, but can also be used for larger pitch applications with shorter signal paths.

3mm

1.5mm

0mm



H038DL1A

H038LL1A

MECHANICAL PROPERTIES

PITCH:	0.50mm (min)
WORKING TRAVEL:	0.43mm
CONTACT FORCE:	30.9gf
FULL LENGTH:	2.95mm
COMPRESSED LENGTH:	2.52mm
OPERATING TEMPERATURE:	+180°C
MECHANICAL LIFE:	+125,000 cycles

ELECTRICAL PROPERTIES

CONTACT RESISTANCE:	<35mΩ
CURRENT RATING (FREE AIR):	2.9 amp
SELF INDUCTANCE:	0.88nH
BANDWIDTH @ -1DB:	15.7GHz

MATERIALS

STAMPED CONTACT:	BeCu , Au Plate
SPRING:	SS, Au Plate

DOWNLOADS



DATA SHEET



SALES DRAWING/DESIGN GUIDE



SIGNAL PERFORMANCE



DC PERFORMANCE



H-PIN

H038 X X X X

H-PIN SERIES

H038 – 0.50mm

TOP CONTACTOR

U – Standard BGA

L – Standard LGA

D – Extended Tip BGA

OPTIONS

A – Au Plating

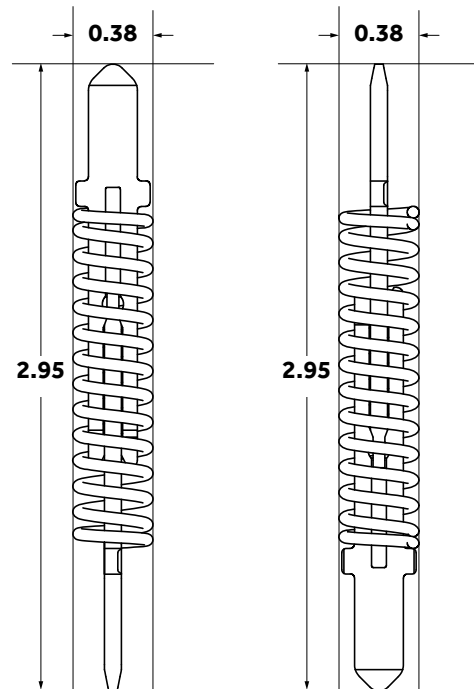
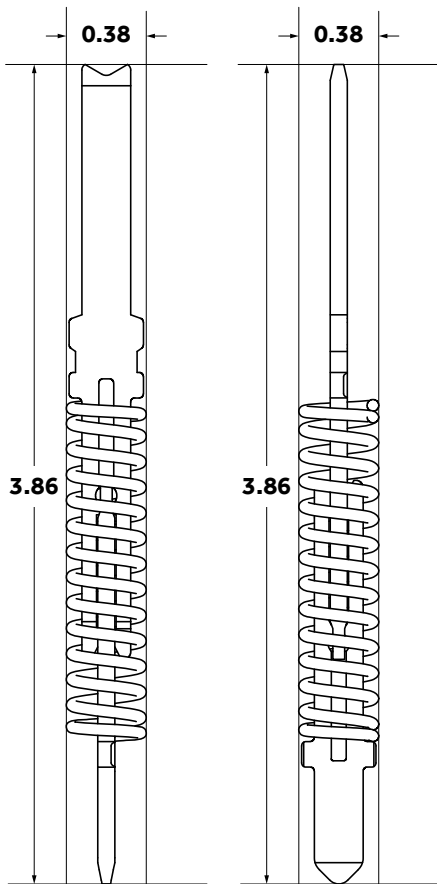
SPRING TYPE

(full Deflection)

1 – 30.9gf

BOTTOM CONTACTOR

L – Standard LGA



H038DL1A

H038LL1A