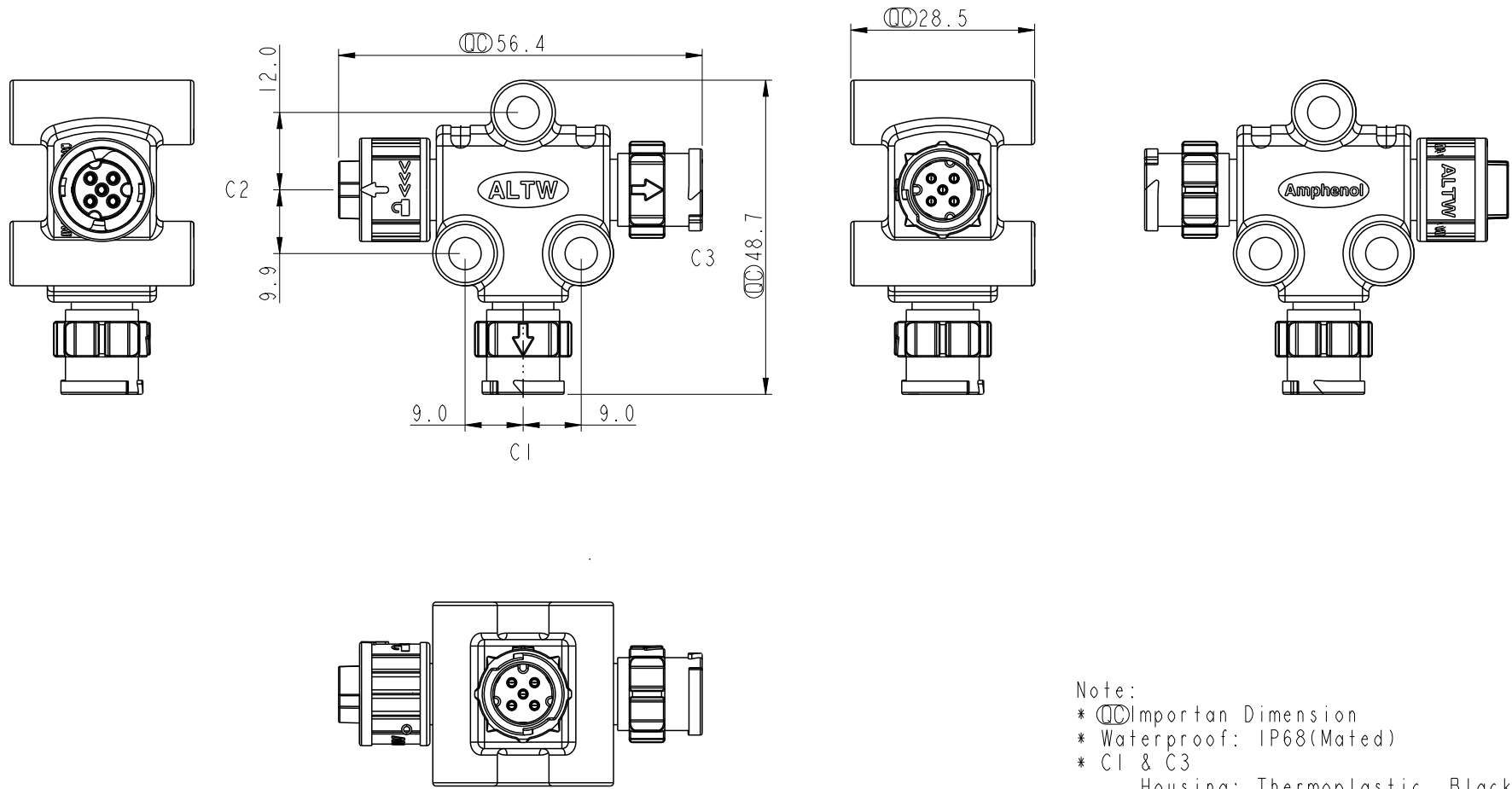


REV.	ECN NO.	DATE	SIGN	DESCRIPTION
A	-	2020/01/07	Eric	Initial Release



Note:

- * \varnothing Important Dimension
- * Waterproof: IP68(Mated)
- * C1 & C3
Housing: Thermoplastic, Black
Male Pin: Copper Alloy, Gold plated
- * C2
Housing: Thermoplastic, Black
Female Pin: Copper Alloy, Gold plated
Nut: Thermoplastic, Black

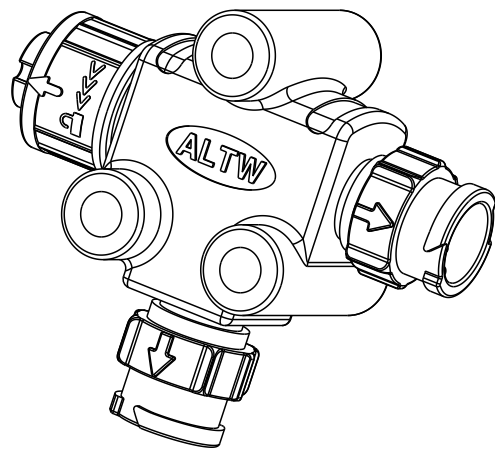
UNIT: mm		
TOLERANCE		
.X	±0.25	
.XX	±0.1	
.XXX	±0.05	
ANGLES	±1°	

TITLE X Lok A Size T Adaptor MFM		
SCALE 1:1	SIZE A4	SHEET 1 OF 2
REV. A	WC-REV. A.5	\varnothing : Inspection item

Amphenol LTW
安費諾亮泰企業股份有限公司

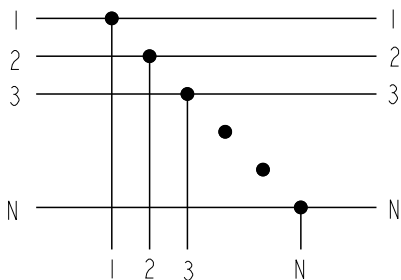
ITEM NO. AB-AD-XXXXXX-MFM-TQ001	DRAWN BY Eric	DATE 2020/01/07
DWG NO. AB-AD-XXXXXX-MFM-TQ001	CHECKED BY Brady	DATE 2020/01/07
CUSTOMER ALTW	APPROVED BY Neo	DATE 2020/01/07

THIS DOCUMENT IS SUBJECT TO CHANGE WITHOUT NOTICE. IT IS CONFIDENTIAL AND A PROPERTY OF Amphenol LTW. DISCLOSURE TO THIRD PARTY HAS TO BE AUTHORIZED BY Amphenol LTW.



AB-AD-XXXXXX-MFM-TQ001

Connector Type:
 02: 2Pin
 03: 3Pin
 .
 .
 N: N Pin



Connection Diagram

	Pin Assignment Front View							
	2PIN		3PIN		4PIN		5PIN	
Female								
Male								
Pin Out	Pin	Color	Pin	Color	Pin	Color	Pin	Color
	Pin1 Pin3	Green Black	Pin1 Pin3 Pin4	Green Black White	Pin1 Pin2 Pin3 Pin4	Green Red Black White	Pin1 Pin2 Pin3 Pin4 Pin5	Green Red Black White Blue

UNIT: mm	
TOLERANCE	
.X	±0.25
.XX	±0.1
.XXX	±0.05
ANGLES	±1°

TITLE X Lok A Size T Adaptor MFM			
SCALE 1:1	SIZE A4	SHEET 2 OF 2	
REV. A	WC-REV. A.1	QC: Inspection item	

Amphenol LTW
 安費諾亮泰企業股份有限公司

ITEM NO AB-AD-XXXXXX-MFM-TQ001	DRAWN BY Eric	DATE 2020/01/07
DWG NO AB-AD-XXXXXX-MFM-TQ001	CHECKED BY Brady	DATE 2020/01/07
CUSTOMER ALTW	APPROVED BY Neo	DATE 2020/01/07

DATE 2020/01/07
DATE 2020/01/07
DATE 2020/01/07