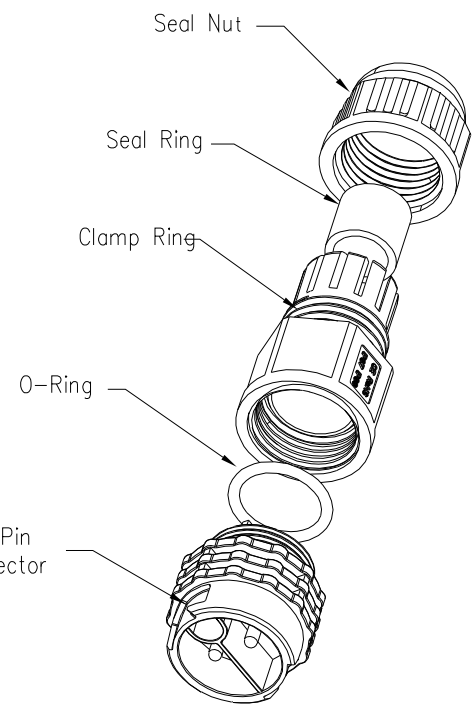
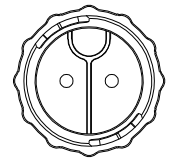
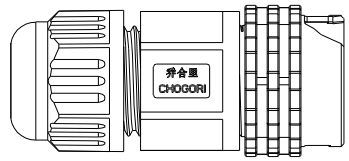
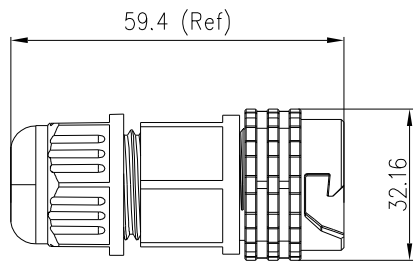


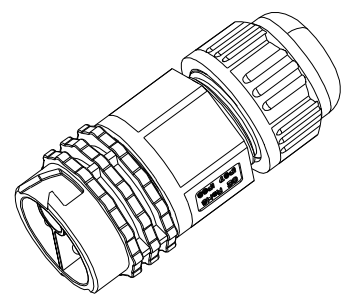
REV.	ECN NO.	DESCRIPTION	SIGN	DATE
C1	N/A	INITIAL DRAWING	Liu	2020/04/30



- Specification:
1. Operation Temperature: -45°C~105°C.
  2. Insulation Resistance: 100MΩ at DC500V.
  3. Contact Resistance: <10mΩ
  4. Withstand Voltage: 2000V AC
  5. Operating Current: 20A
  6. Operating Voltage: AC 300V
  7. Waterproof Rate: IP67 (Mated)
  8. Seal Nut: Nylon, Black
  9. Seal Ring: Silicon, Black.
  10. Clamp Ring: Nylon, Black
  11. O-Ring: Silicon, Red
  12. Male Pin: Copper Alloy, Gold Plated
  13. Connector: Nylon+GF, Black
  14. RoHS Compliant.
  15. Mating Cap: 806-00059-00

24XXX331-XX Cable Range OD  
 01 OD: φ5.5mm~φ6.5mm  
 02 OD: φ8.0mm~φ10.5mm  
 Pin Number

2 Pin	3 Pin
P/N: 24002331-0X	P/N: 24003331-0X
Pin Assignments Front View	



**CHOGORI**

UNIT:mm	DESCRIPTION	PART NO	DRAWN BY	DATE
TOLERANCE .X ±0.25 .XX ±0.15 .XXX ±0.05 ANGLES ±1°	Large Series Push Lock Female Plug With Male Pin	24XXX331-XX	Liu	2020/04/30
SCALE: 1:1	SHEET 1 OF 1	DWG NO	CHECKED BY	DATE
REV. C1	SIZE A4	CUSTOMER	Mo	2020/04/30
	* : Inspection Item		APPROVED BY	DATE
			Adley	2019/04/30

THIS INFORMATION IS CONFIDENTIAL AND IS DISCLOSED TO YOU ON CONDITION THAT NO FURTHER DISCLOSURE IS MADE BY YOU TO OTHER THAN CHOGORI PERSONNEL WITHOUT AUTHORIZATION FROM CHOGORI CORP.