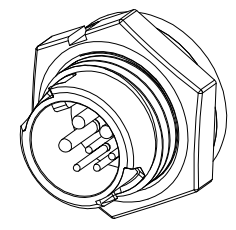
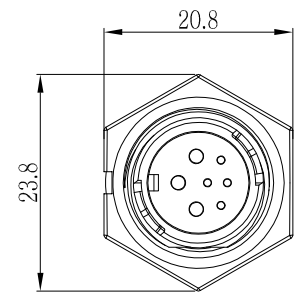
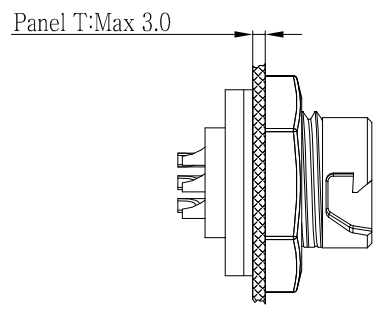
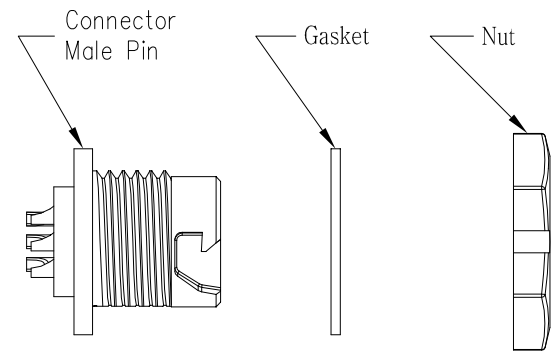
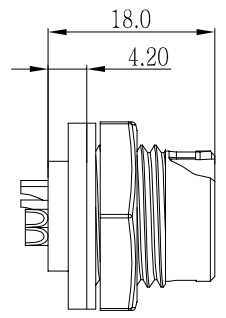
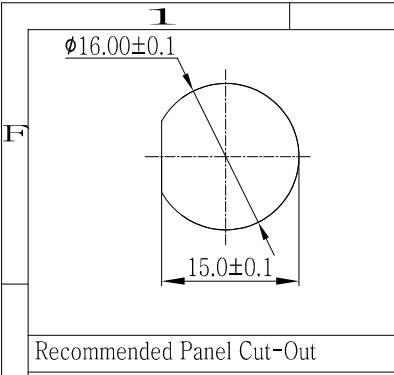


REV.	ECN NO.	DESCRIPTION	SIGN	DATE
C1	N/A	INITIAL DRAWING	Yumer	2020/04/27



- Specification:
- 1.Operation Temperature:-45°C~105°C.
 - 2.Insulation Resistance:100MΩ at DC500V.
 - 3.Contact Resistance:<10mΩ.
 - 4.Withstand Voltage: 1300V AC
 - 5.Operating Current:10+ 2A
 - 6.Operating Voltage:AC 60V
 - 7.Waterproof Rate:IP67 (Mated)
 - 8.Connector:Nylon, Black
 - 9.Male Pin:Copper Alloy, Gold Plated
 - 10.Gasket:Silicon Gray
 - 11.Panel Nut:Nylon, Orange
 - 12.Torque Rate:0.8~1.0N · m
 - 13.RoHS Compliant.
 - 14.Mating Cap P/N:806-00053-00

22XXX535-01

Pin Number

3+4 Pin

P/N: 22304535-01

Pin Assignments
Front View

UNIT:mm		DESCRIPTION	Standard Series Push Lock Front Mount With Male Pin		PART NO	22XXX535-01	DRAWN BY	Yumer	DATE	2020/04/27
TOLERANCE	.X ±0.25 .XX ±0.15 .XXX ±0.05 ANGLES ±1°	SCALE	1:1	SHEET	1 OF 1	DWG NO	CHECKED BY	Ivan	DATE	2020/04/27
REV.	C1	SIZE	A4	* :Inspection Item		CUSTOMER	APPROVED BY	Panson	DATE	2020/04/27



THIS INFORMATION IS CONFIDENTIAL AND IS DISCLOSED TO YOU ON CONDITION THAT NO FURTHER DISCLOSURE IS MADE BY YOU TO OTHER THAN CHOGORI PERSONNEL WITHOUT AUTHORIZATION FROM CHOGORI CORP.