



MATERIAL:

- 1.HOUSING: PA4T, GLASS FIBER FILLED, BK
- 2.CONTACT: COPPER ALLOY (T=0.20mm)
- 3.GUARD PLATE:STAINLESS STEEL
- 4.SHIELD: STAINLESS STEEL

FINISH:

- CONTACT: SEE ORDER INFORMATION
- SHELL: NICKEL PLATING
- Protection level:IP68

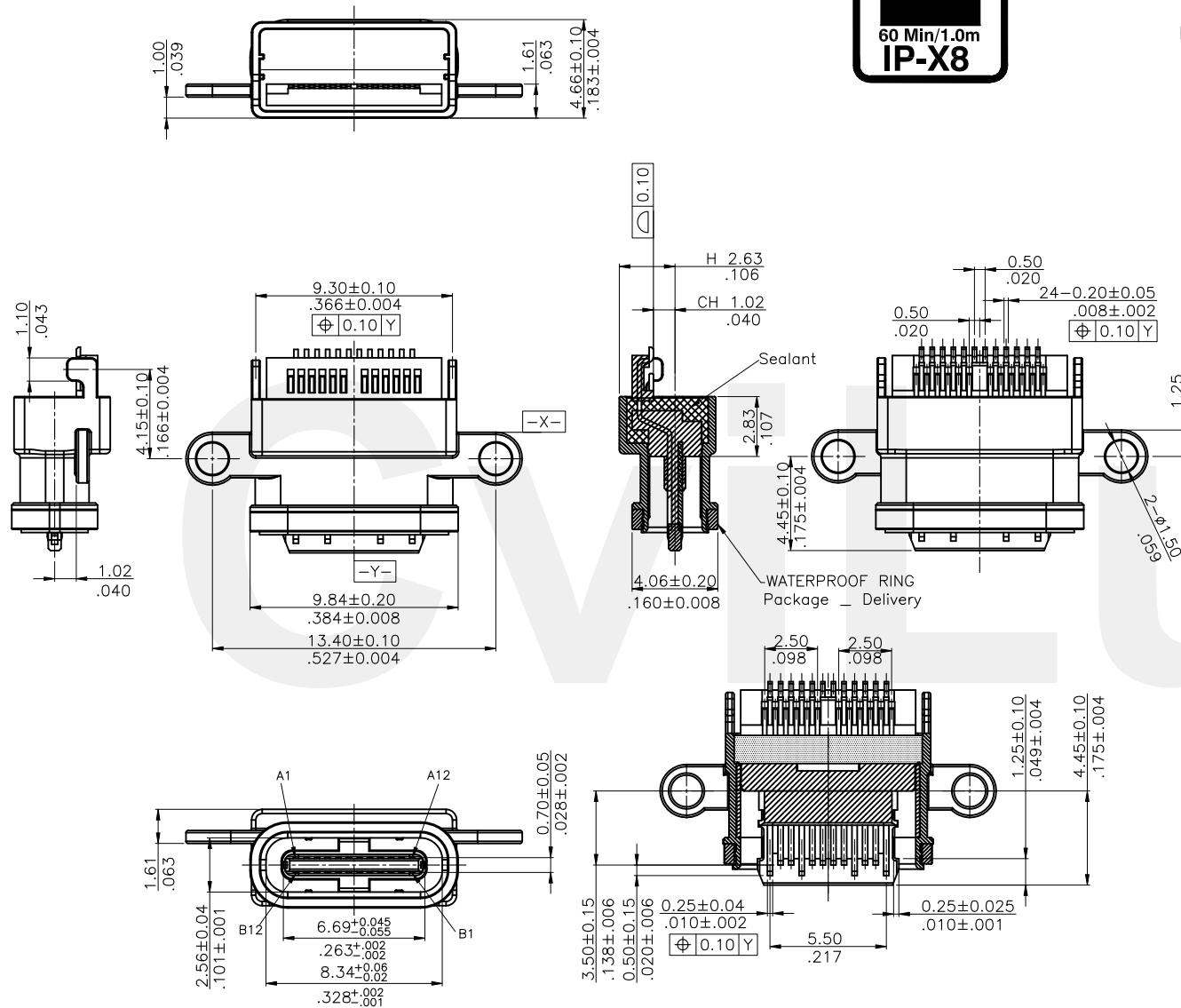
Ordering Code:

CU39 24 S * Z B N R 007 -NH
 ① ② ③ ④ ⑤ ⑥ ⑦ ⑧ ⑨ ⑩

- ① Series No.
- ② No of Circuits:
- ③ S= Socket
- ④ Plating option:

- A= Gold flash plated on Contact area, Matte Tin plated on Solderails, Nickel underplating over all
- B= 15u" gold plated on Contact area, Matte Tin plated on Solderails, Nickel underplating over all
- C= 30u" gold plated on Contact area, Matte Tin plated on Solderails, Nickel underplating over all

- ⑤ Shell Material & Plating:
Z= kirsite
- ⑥ Contact MATERIAL: B= COPPER ALLOY
- ⑦ Insulator Material & Color option:
N= PA4T Black
- ⑧ Packing Option: R= Reel Packing
- ⑨ 007:Stream code
- ⑩ -NH: For Lead Free wave or IR Reflow Processes & Halogen Free

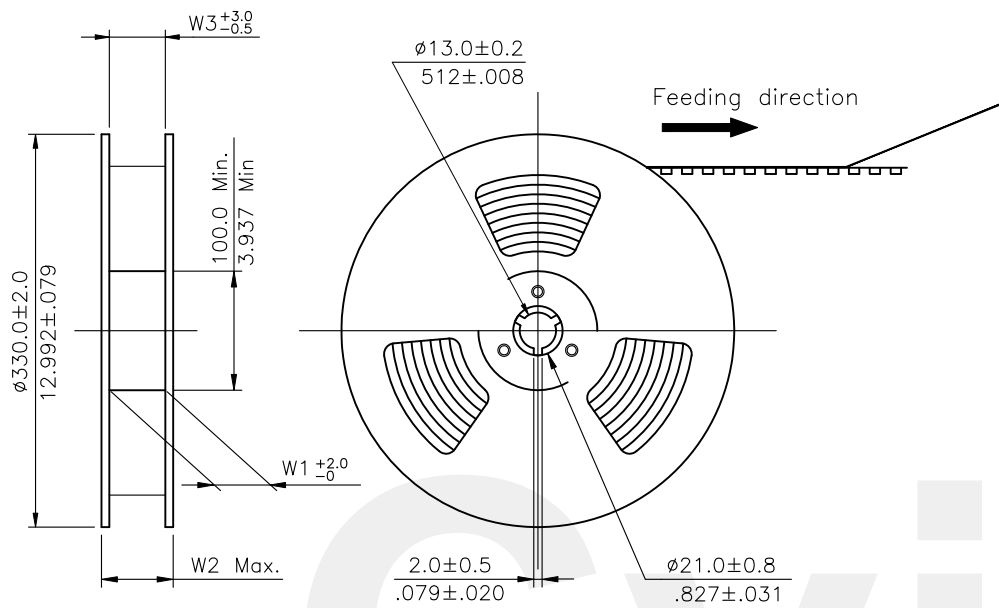


Halogen-Free **RoHS Compliant**

CIVILUX COUP
2021.08.12
ISSUED

REV	DATE	DESCRIPTION	BY	DATE	UNIT: mm / inch	TITLE:
3					TOLERANCE UNLESS OTHERWISE SPECIFIED	USB Type C/M 24 PIN CH=1.02mm SMT TYPE WATERPROOF
2						
1	Annie	7.20	CHANGE ECND121024		.X ± 0.25	.X' ± 4'
SYM	NAME	DATE	REVISIONS	APPROVED BY:	.XX ± 0.20	.X' ± 2'
					.XXX ± 0.10	.XX' ± 1'

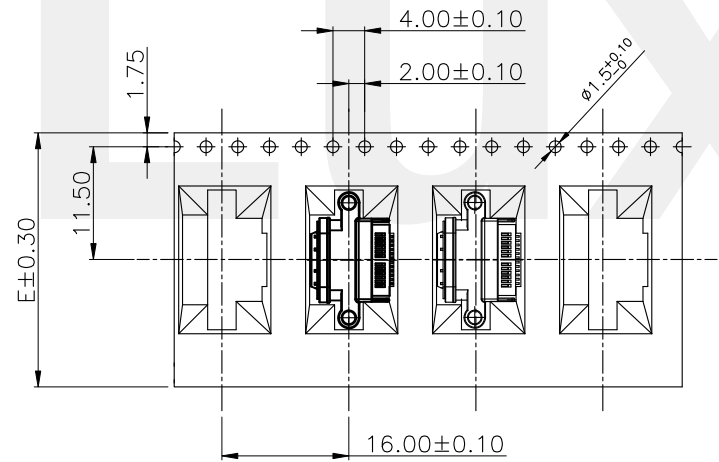
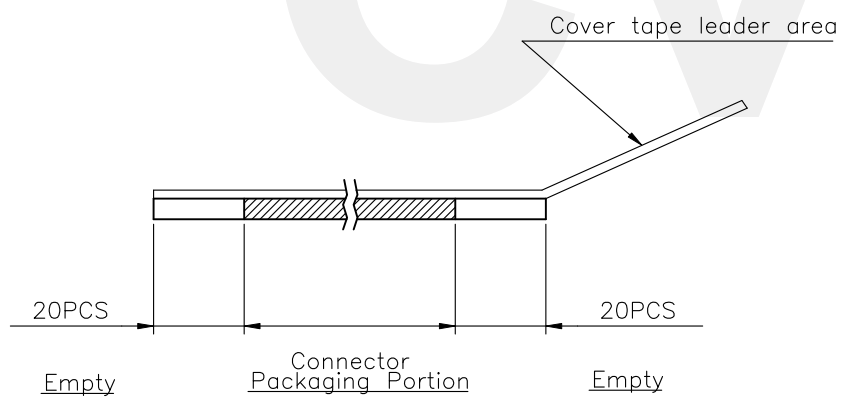
瀚荃股份有限公司 CviLux Corporation			
DRAWING NO.	CU39S07SB	PART NO.	CU3924S*ZBNR007-NH
SCALE	1 / 1	SHEET	1 OF 3



NOTE :

- * Reel Material : HIPS
- * Carrier Material : Clear, Conductive Polystyrene Alloy
- * Cover Tape Material : Polyester
- * Cover Tape Peel Strength : 0.1N – 1.3N
- * Carrier camber is within 1mm in 250mm
- * All dimensions meet EIA-481-B requirements.
- * Quantity : 800 PCS/Reel

Dimension				Packing (Reel/Carton)
E	W1	W2	W3	
24.0(.945)	24.5(.945)	30.5(1.181)	24.5(.945)	10



Halogen-Free RoHS Compliant

SYM	NAME	DATE	REVISIONS	APPROVED BY:	DATE	UNIT: mm / inch	TOLERANCE UNLESS OTHERWISE SPECIFIED	TITLE:
3								USB Type C/M 24 PIN CH=1.02mm SMT TYPE WATERPROOF
2								
1	Annie	7.20	CHANGE ECND121024					

CIVILUX COUP
 2021.08.12
 ISSUED

瀚荃股份有限公司
CviLux Corporation

DRAWING NO.	CU39S07SB	PART NO.	CU3924S*ZBNR007-NH
SCALE	1 / 1	SHEET	3 OF 3