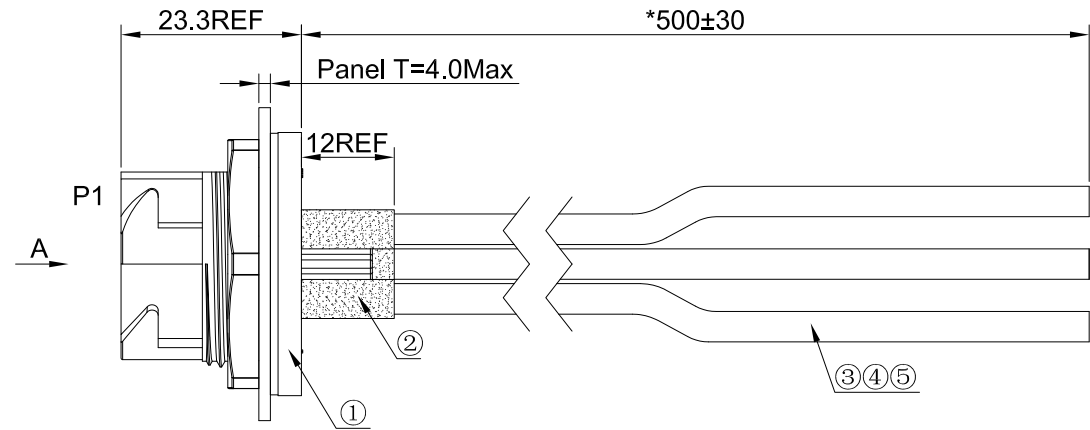
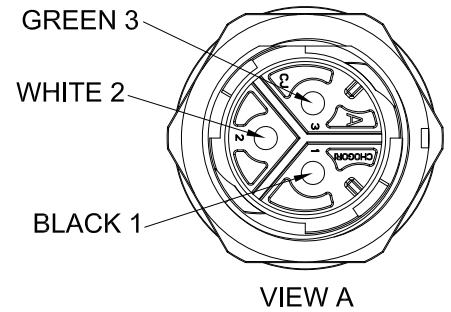
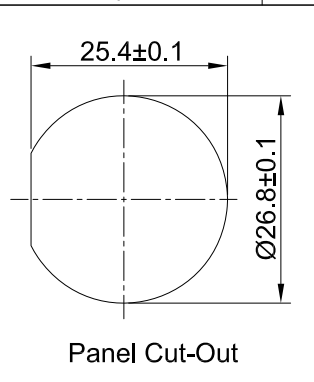


5		6		7		8	
REV.	ECN NO.	DATE	SIGN	DESCRIPTION			
C1	NA	2022/05/29	XU	First Version			



P/N: 24003535-01

**SPECIFICATIONS:**

- 1.INSULATION RESISTANCE: 10MΩ@500VDC/0.01S.
- 2.VOLTAGE RATING: 600V.
- 3.CURRENT RATING: 35A.
- 4.OPERATION TEMPERATURE: -10℃~+105℃.
- 5.WATERPROOF IPX7(MATED).
- 6.RoHS COMPLIANT.

5	900-00101-00181	A/R	M	UL1015 12AWG PVC 105℃ 600V WHITE OD3.94
4	900-00101-00137	A/R	M	UL1015 12AWG PVC 105℃ 600V GREEN OD3.94
3	900-00101-00106	A/R	M	UL1015 12AWG PVC 105℃ 600V BLACK OD3.94
2	504-00406-00	A/R	M	HEAT SHRINK TUBE OD5.0
1	24003535-01	1	PC	LARGE SERIES 3PIN PANEL MOUNT WITH MALE PIN(4 LOCKS,-501)
No.	Material No.	Q'ty	Unit	Material Description

**Material List**

UNIT:mm	TITLE LARGE SERIES 3PIN PANEL MOUNT WITH MALE PIN(4 LOCKS,-501) L=500MM	
未注线性和角度尺寸公差 UNSPECIFIED TOLERANCE	SCALE N/A	SHEET 1 of 1
GB/T 1804-M	REV. C1	SIZE A4 * Inspection Item



ITEM NO.	11C03622051504	DRAWN BY	XU	DATE	2022/05/29
DWG NO.	11C03622051504	CHECKED BY		DATE	
CUSTOMER NO.		REV.		APPROVED BY	

THIS INFORMATION IS CONFIDENTIAL AND IS DISCLOSED TO YOU ON CONDITION THAT NO FURTHER DISCLOSURE IS MADE BY YOU TO OTHER THAN CHOGORI PERSONNEL WITHOUT AUTHORIZATION FROM CHOGORI CORP.