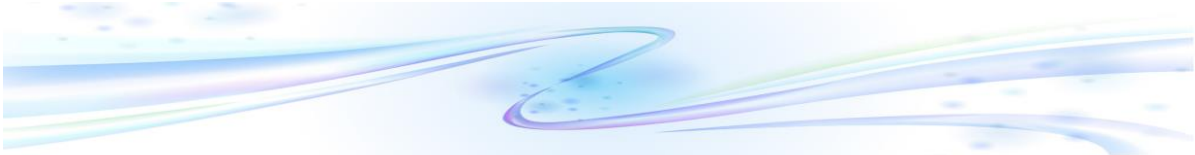
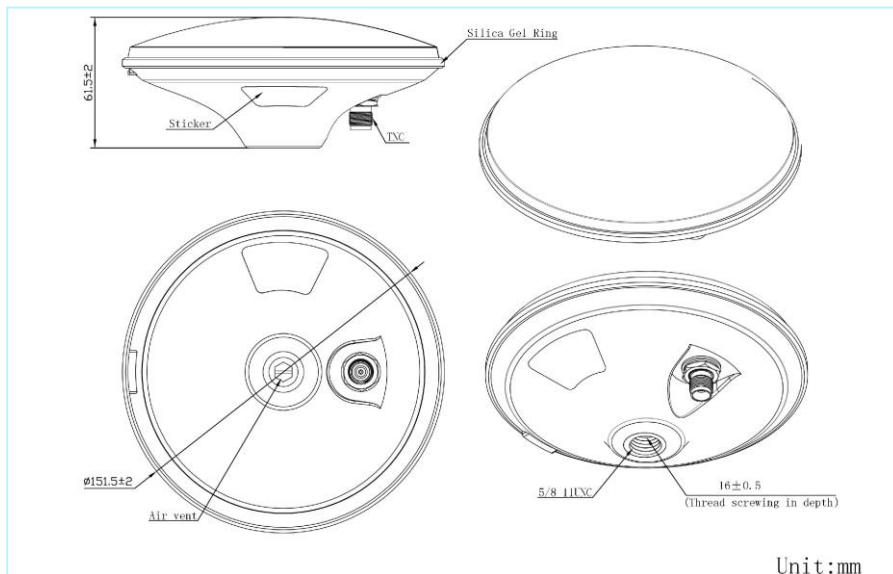


# GNSS Surveying Antenna (GPS/GLONASS/Galileo/COMPASS)

AN\_GPS\_P228B



## Mechanical dimension

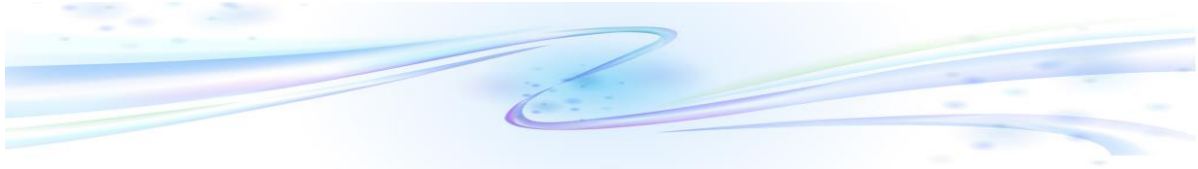


## GNSS Surveying Antenna (GPS/GLONASS/Galileo/COMPASS)

### Specifications

Item		Specifications
Antenna	Frequency	GPS L1/L2 GLONASS G1/G2 COMPASS B1/B2/B3 Galileo E1/L1/E2/E5b/E6
	Polarization	RHCP
	Axial Ratio	≤3dB
	V.S.W.R	≤1.5
	Peak Gain	≥5dBi
	Impedance	50Ω
	Phase Center Error	± 2mm
	Horizontal coverage angle	360°
LNA	Gain	40±2dB
	Noise Figure	≤1.5dB
	Passband fluctuation	± 1.5dB
	Supply Voltage	3~12V DC
	Current Consumption	≤50mA
	V.S.W.R	≤2.0
Mechanical	Connector	TNC-K
	Dimension	D151.5*61.5mm
	Radome Material	ABS
	Mounting Method	Screw
Environmental	Operating Temperature	-40°C ~+85°C
	Relative Humidity	Up to 95%
	Ingress Protection	IP67(exclude Air vent in screw hole)
	Environmentally Friendly	ROHS Compliant

## GNSS Surveying Antenna (GPS/GLONASS/Galileo/COMPASS)



### Antenna Reference Point & Phase Center

