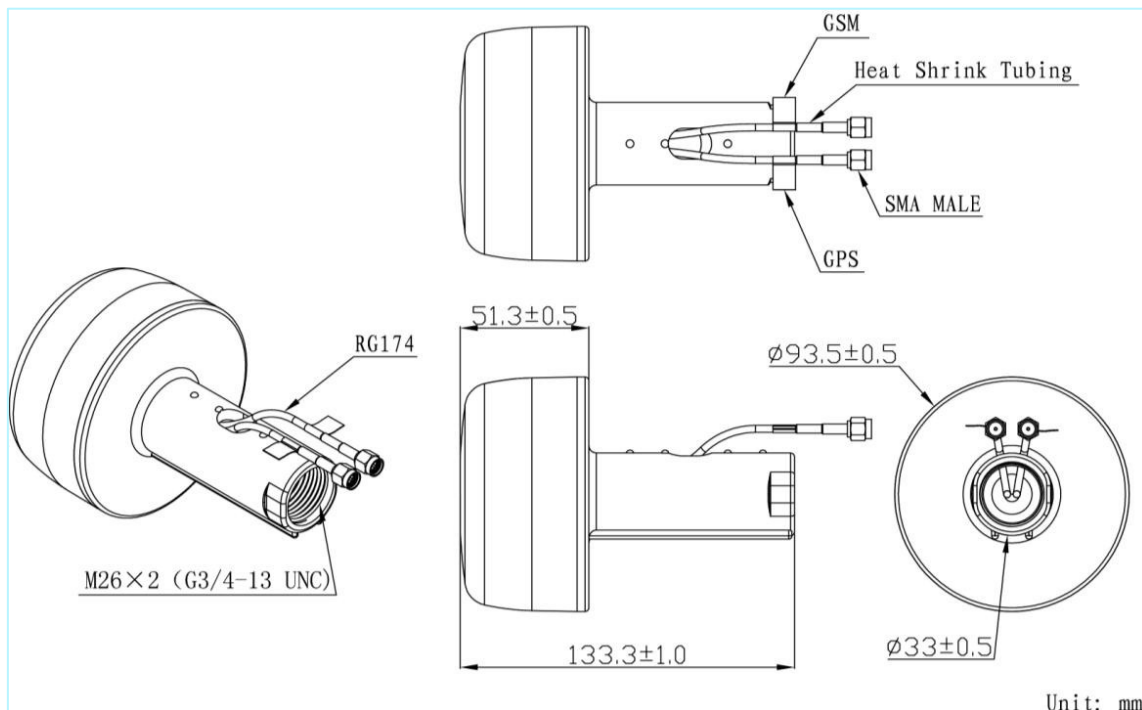


# GPS/GLONASS+4G LTE Antenna Screw Mount

AN\_GPS\_GSM\_005.2



## Mechanical dimension



# GPS/GLONASS+4G LTE Antenna Screw Mount

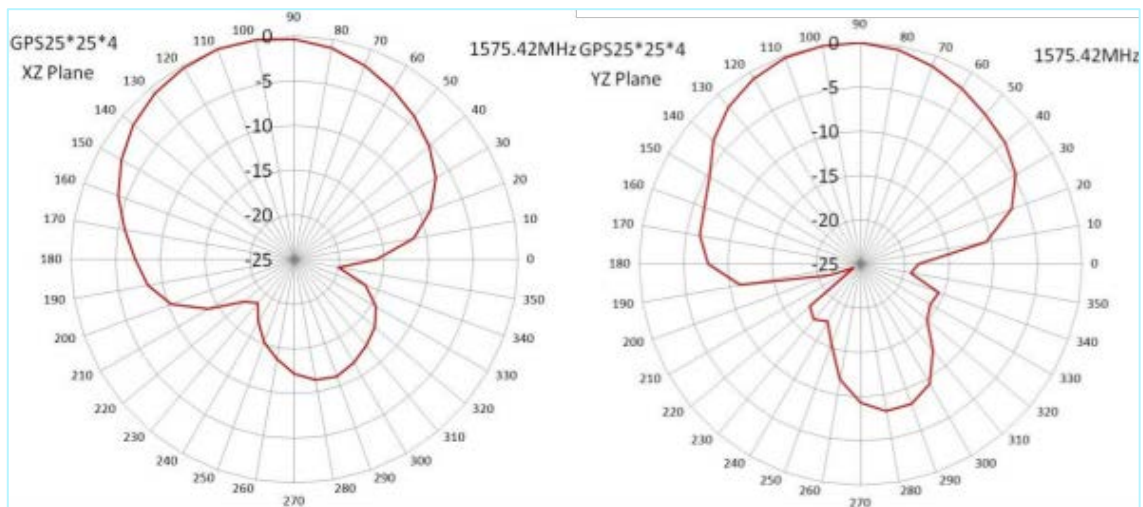
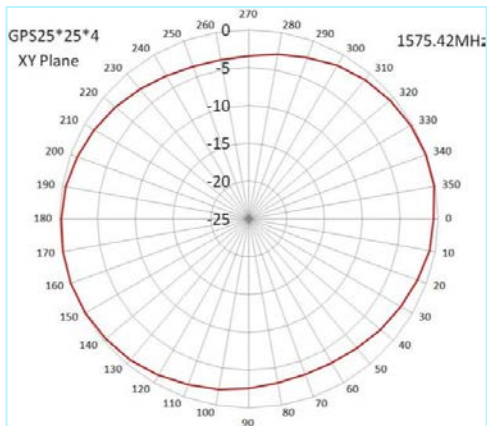
## Specifications

Item	Specifications	
GPS Antenna	Frequency Range	1561.09~1610MHz GPS L1 and GLONASS G1
	Polarization	RHCP
	Gain	5dBic (Zenith)
	Impedance	50Ω
	Axial Ratio	3dB (max)
	Gain	28±2dB
	Noise Figure	≤1.5dB
	V.S.W.R	<2.0
	Supply Voltage	2.2~5V DC
	Current Consumption	5~15mA
LTE Antenna	Frequency Range	698~960MHz/1710~2690MHz
	V.S.W.R	<2.5
	Polarization	Linear
	Gain	3dBi
	Impedance	50Ω
Mechanical	Cable	RG174 3 meters
	Connector	SMA male for 4G LTE and GNSS
	Radome Material	ABS
	Mounting Method	Screw
Environmental	Operating Temperature	-40°C~+85°C
	Relative Humidity	Up to 95%
	Ingress Protection	IP67 (exclude cable outlet)
	Vibration	10 to 55Hz with 1.5mm amplitude 2hours
	Environmentally Friendly	ROHS Compliant

# GPS/GLONASS+4G LTE Antenna Screw Mount

## Radiation Patterns

GPS Antenna



# GPS/GLONASS+4G LTE Antenna Screw Mount

## Radiation Patterns

GSM Antenna

