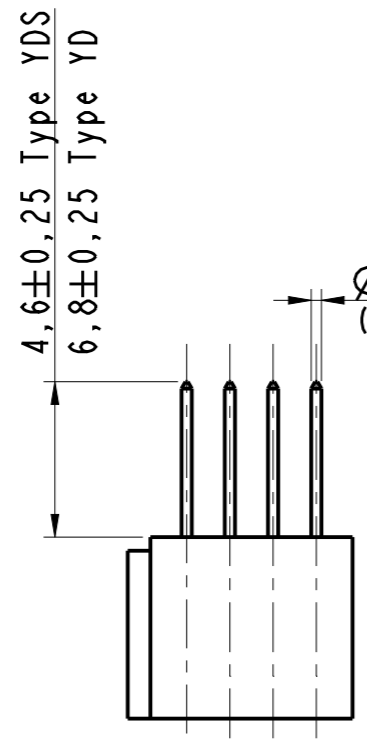
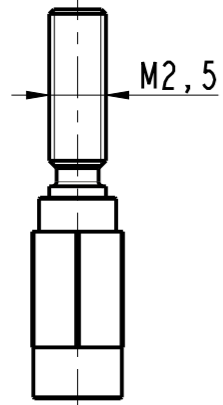
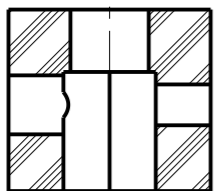
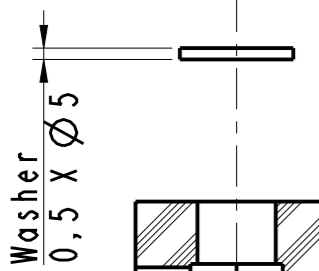
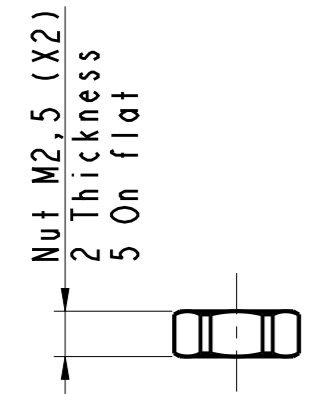
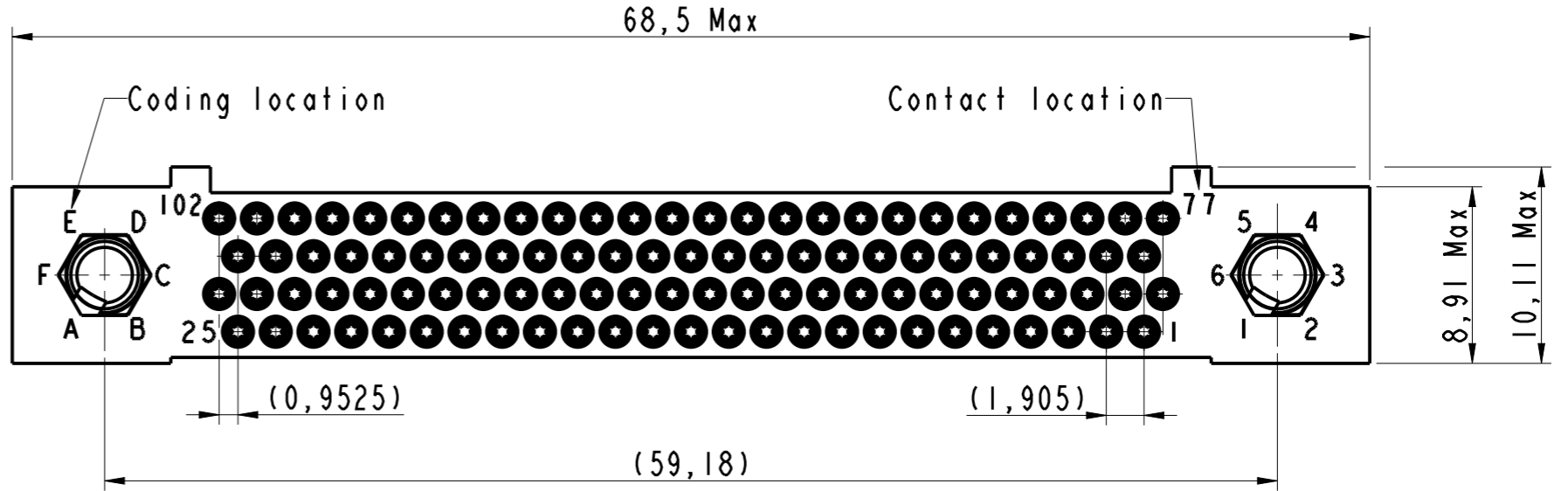
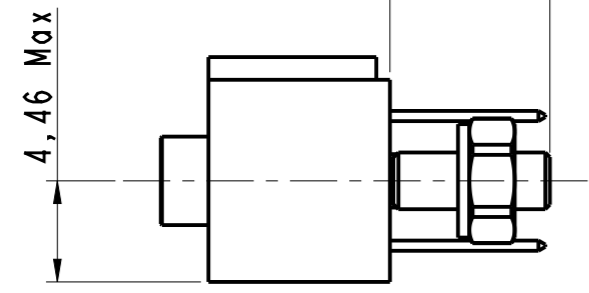
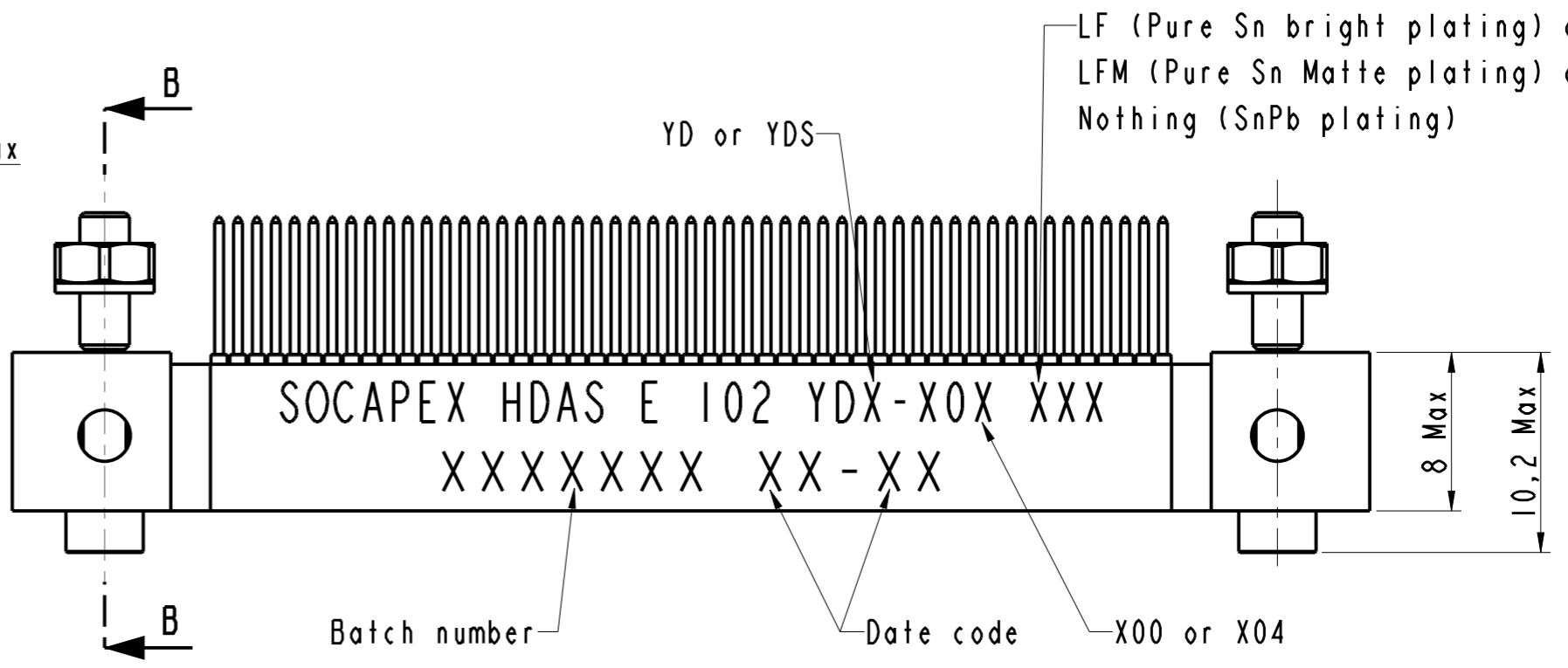


IN THE CONSTANT PURPOSE OF IMPROVING ITS PRODUCTS, AMPHENOL SOCAPEX RESERVES THE RIGHT TO MODIFY ANY DIMENSION OR CHARACTERISTICS.  
FM.NPD.0036.THYEZ.PUNE rev C

7,15 ±0,2 deviation X00  
5,5 ±0,2 deviation X04



View without fittings



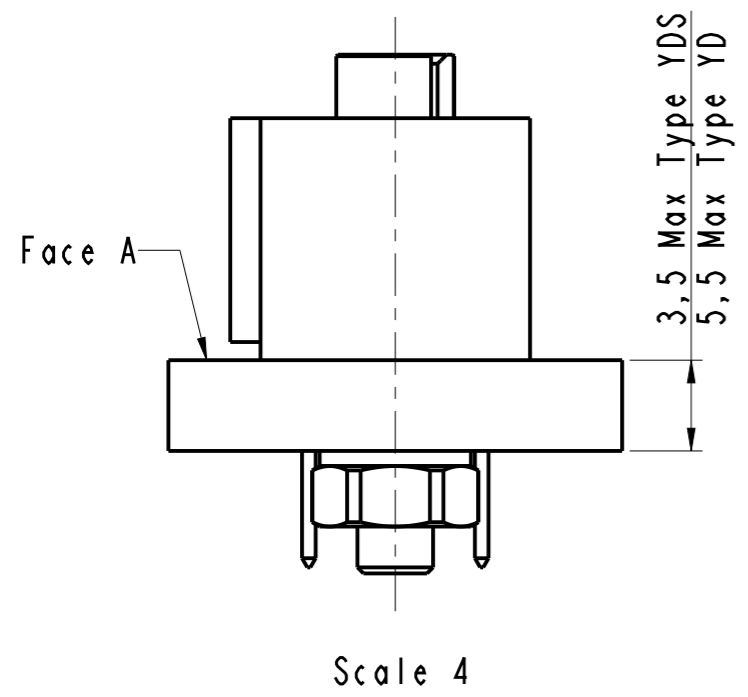
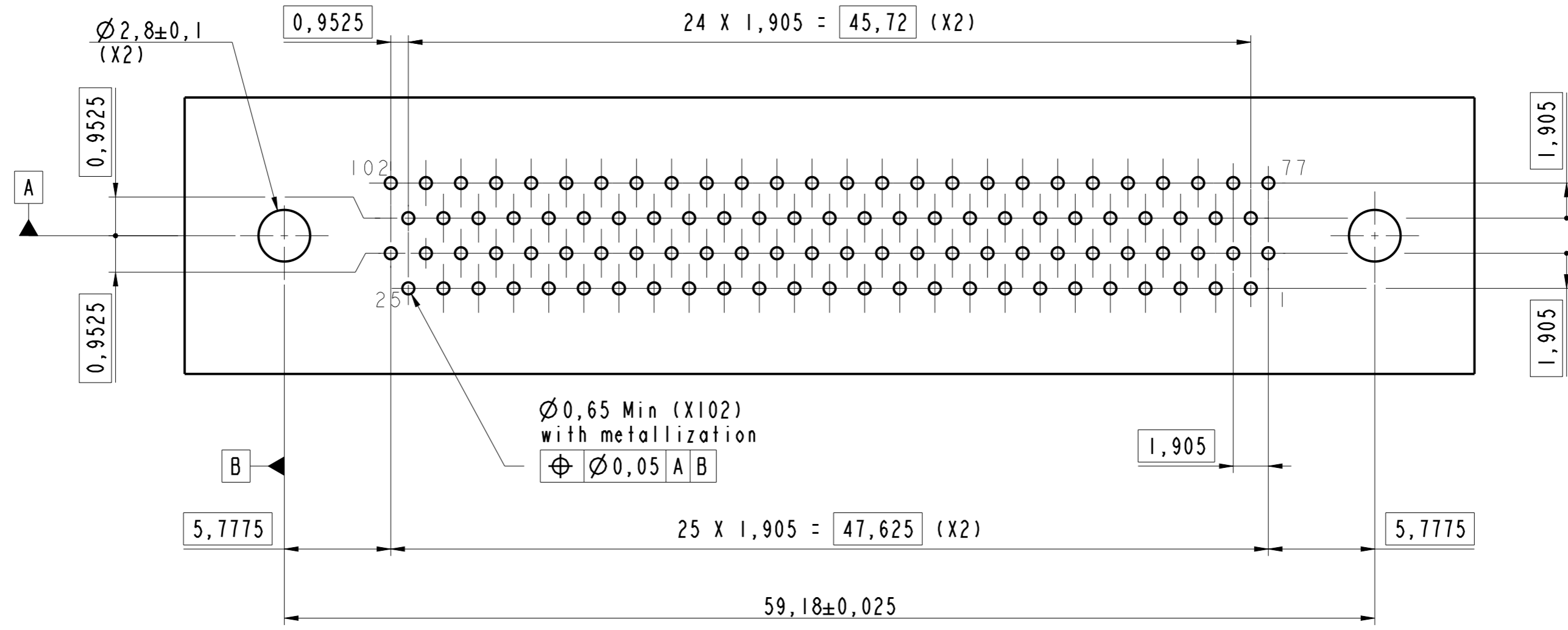
Section B-B

- Notes:
1. Part: HDAS E 102 YDX-X0X XXX
  2. External dimensions of the receptacle insulator with 102 signal contacts type YDX
  3. Connector delivered with fittings not assembled, coupling torque : 0,25 Nm
  4. Standard 00X : Nickel plated over brass fittings.  
Deviation 10X : Passivated stainless steel fitting

# HDAS E 102 YDX-X0X XXX

DRAWN BY: Gimenes		UPDATED BY: S Satpute		LAST APPROVED BY: T Carrier	
ALL DIMENSIONS ARE IN MM	AMPHENOL SOCAPEX			ORIGINAL DRAWING DATE: 24/10/2005	CONFIGURATION DATA ARE AVAILABLE IN PDM
				REV: L	PAGE: 1/2
SCALE: 3	B.P. 29 74311 THYEZ CEDEX			169-PLC-478-00	

# PCB Layout Face A



Scale 2

## HDAS E 102 YDX-X0X XXX

DRAWN BY : Gimenes		UPDATED BY : S Satpute		LAST APPROVED BY : T Carrier	
ALL DIMENSIONS ARE IN MM		AMPHENOL SOCAPEX		ORIGINAL DRAWING DATE : 24/10/2005	CONFIGURATION DATA ARE AVAILABLE IN PDM
SCALE : 4				REV : L	PAGE : 2/2
		B.P. 29 74311 THYEZ CEDEX		169-PLC-478-00	

IN THE CONSTANT PURPOSE OF IMPROVING ITS PRODUCTS, Amphenol Socapex reserves the right to modify any dimension or characteristics.  
 FM.NPD.0036.THYEZ.PUNE rev C