

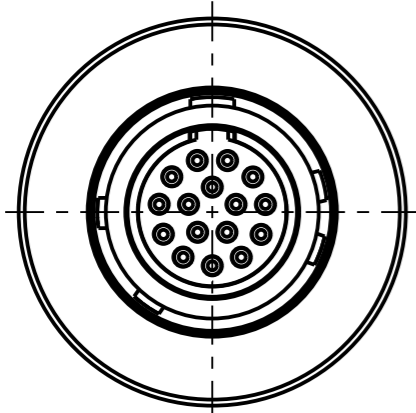
Fuer diese Unterteile behalten wir uns alle Rechte vor, auch fuer den Fall der Patenterteilung oder Gebrauchsmustererteilung. Sie darf ohne unsere vorherige schriftliche Zustimmung weder vervielfaeltigt noch sonstwie benutzt, noch Dritten zugaenglich gemacht werden.

Mur rol gestempelte oder auf Laufkarte gedruckte Dokumente unterliegen dem Aenderungsdienst und sind zur Fertigung freigegeben. Only red stamped or on jobcard printed documents are managed. These documents are approved for production.

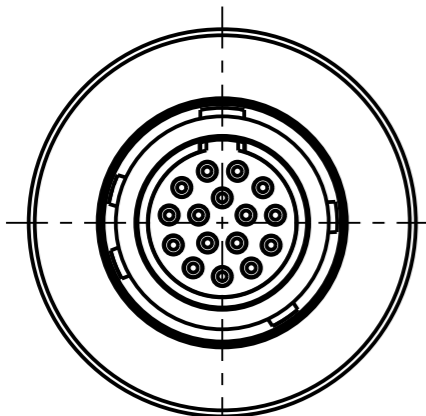
All Rights reserved, including possible patents or trademarks. Documents shall not be provided to a third party or duplicated in any form without prior written permission.

CAD: Creo Parametric

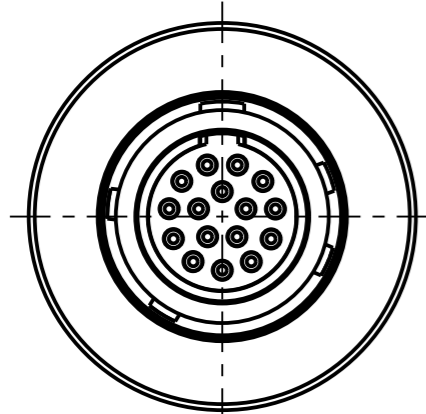
Additional coding
View in direction B
4:1



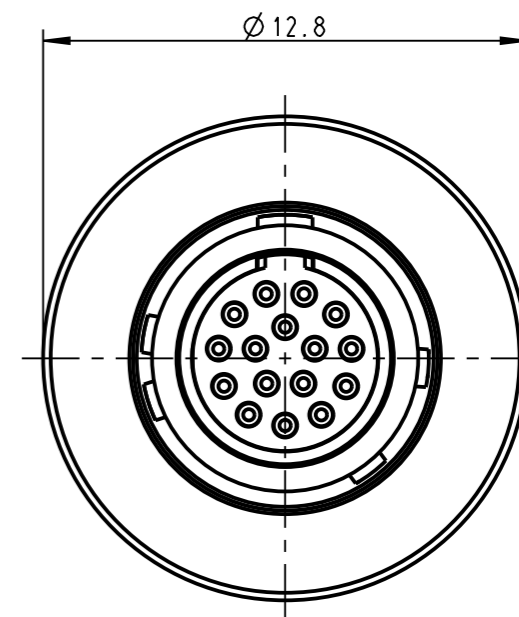
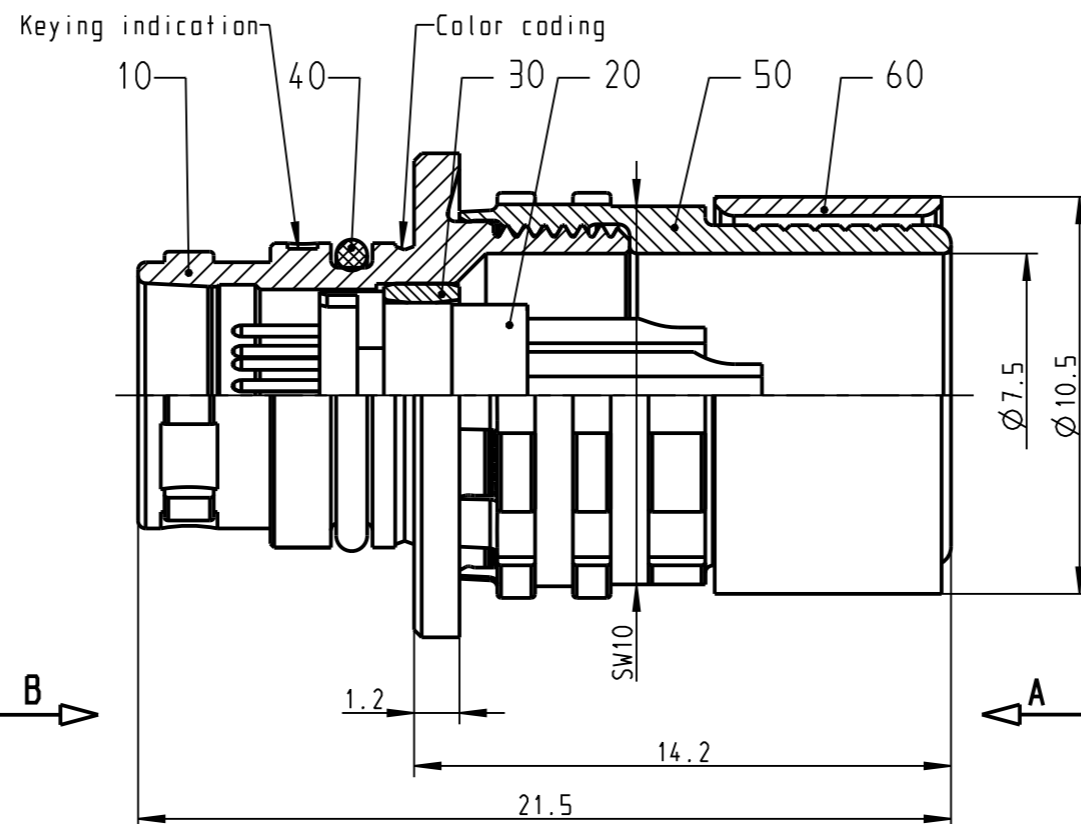
A10WBC-P16MBCO-0000
Mechanical coding: B
Color coding: red



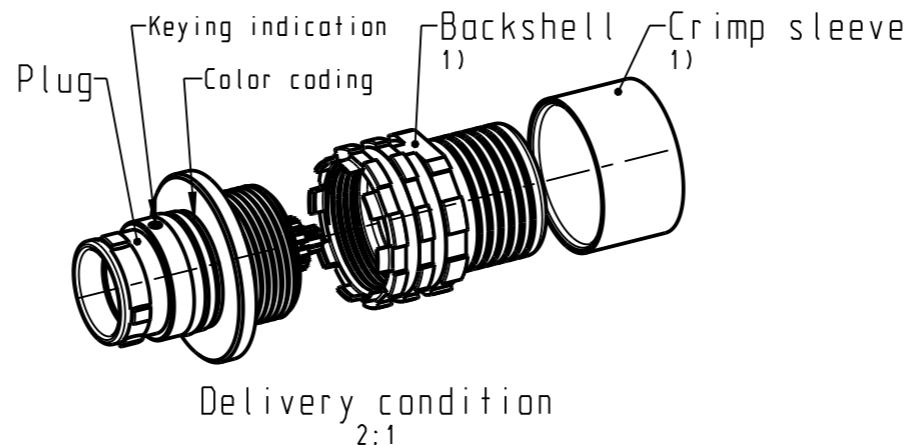
A10WCC-P16MBCO-0000
Mechanical coding: C
Color coding: blue



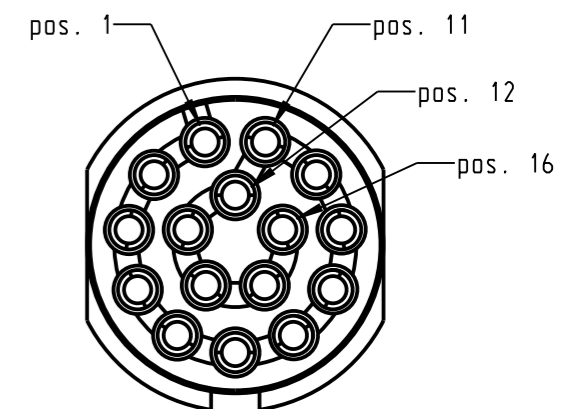
A10WDC-P16MBCO-0000
Mechanical coding: D
Color coding: green



A10WAC-P16MBCO-0000
Mechanical coding: A
Color coding: light brown



Only insert
View in direction A
8:1



Technical information

- Max. cable Ø7.0mm (Based on cable with one braided shield)
- Solder contacts: AWG28
- Current load: 1A@140° (Single contact)
- Test voltage: 750V (acc. SAE AS 13441:1998, Contact to contact)
- Rated voltage: 250V (acc. SAE AS 13441:1998) 2)

1) For crimp information, torque, etc. see assembly instruction 010.650.001.000.001 (www.odu.de/downloads)

2) Maximal operating voltage at sea level up to 2.000m. Rated voltage applies no other electrical safety standard. In case other standards rule a specific use of the connector, the application specific safety criteria shall be considered first. This must be evaluated in the frame of equipment engineering.

Bei den hier dargestellten ODU-Steckverbindern handelt es sich nach DIN EN 61984:2009 um Steckverbinder ohne Schaltleistung (COC) ! /the pictured ODU-connectors are in relation to DIN EN 61984:2009 connectors without switching capacity (COC) !

| | | | | |
|--|------------|--|-----------------------|------------------------------------|
| | | Benennung/description: Abreissstecker cpl. Break-Away Plug | | Werkstoff: material: see BOM |
| Allgemeintoleranz/general tol.: DIN ISO 2768-mH Tolerierung / Tolerancing: DIN ISO 8015 | | CAD-Nr.: design-ID: 00101686 | | Maßstab: scale: 5:1 |
| Status/state: Approved | | Version: revision: - | | Format: size: A3 |
| Erstellt/prepared | 13.01.2016 | spantze | Teile-ID: part-ID: | Einheit: dim.: mm |
| Geaendert/revised | 13.01.2016 | spantze | Oxaion-Nr.: | Bl.: |
| Freigabe/released | 28.01.2016 | mmeier | A10W_C-P16MBCO-0000 | sheet: 1 |
| Datum/date | | Name/name | Ursprung/origin.: | |