



- 10/100 Base-T for Ethernet Applications
- RJ45 jack cavity conforms to FCC rules and regulations Part 68, SUB Part F
- Standard Temp: 0°C to +70°C
- Optional Gold Plating Thickness
- Other LED Patterns available



Electrical Specifications @ 25°C

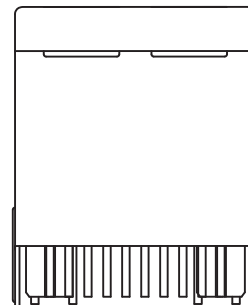
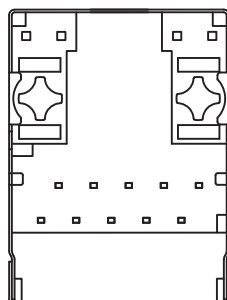
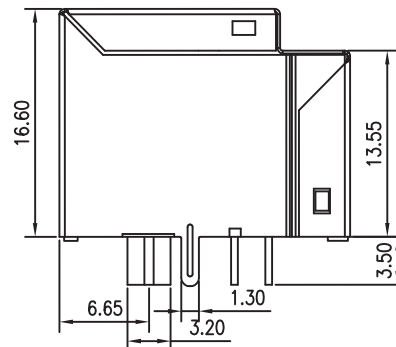
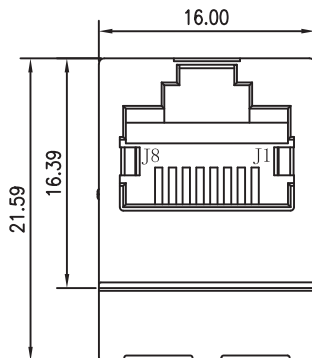
Part Number	OCL(uH Min) @ 100kHz, 0.1V	Turns Ratio chip: cable (±3%)	Cross Talk (dB Min)			Hi-Pot
	With 8mA DC Bias		1-30MHz	30-60MHz	60-100MHz	
ARV11-4246	350	1CT:1CT	-40	-35	-30	1500Vrms

Electrical Specifications @ 25°C

Part Number	Insertion Loss (dB Max)	Return Loss (dB Min)			CMR (dB Min)	
	1-100MHz	1-30MHz	30-60MHz	60-100MHz	1-50MHz	50-100MHz
ARV11-4246	-1.0	-18	-15	-12	-30	-20

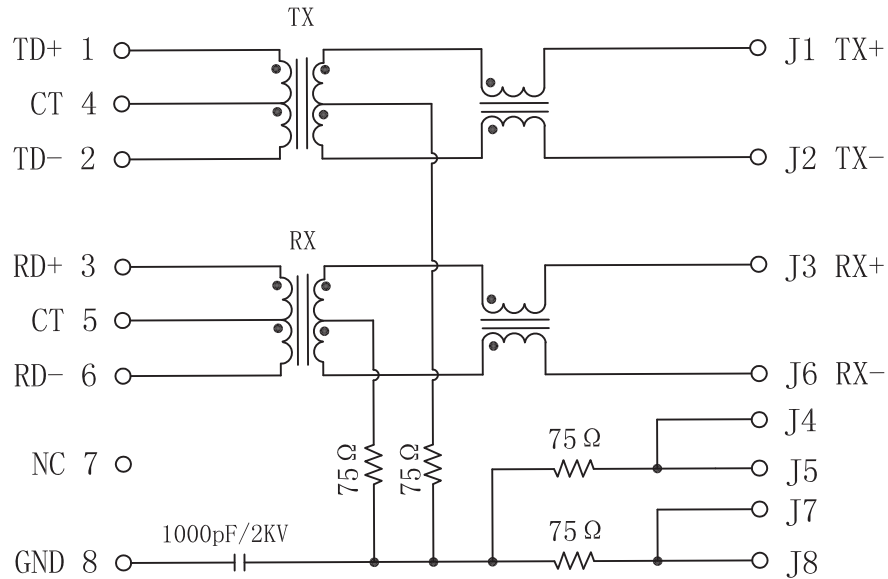
All specifications subject to change without notice.

MECHANICAL

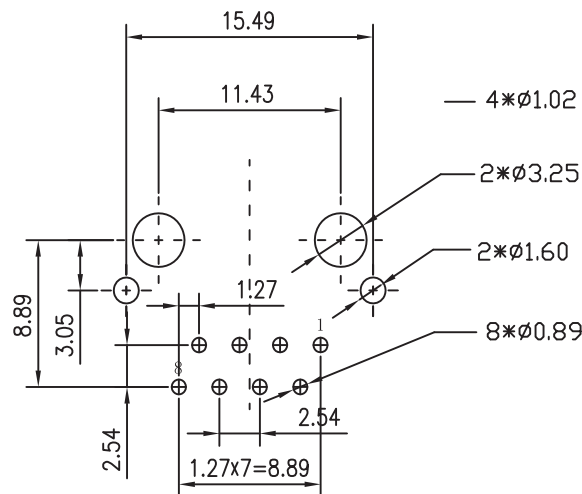




**SCHEMATICS**



**PCB LAYOUT**



**NOTES**

1. Meets IEEE 802.3 specification
2. Connector Materials:
  - Housing Material: Thermoplastic PBT+30%G.F UL94V-0
  - Contact Material: Phosphor Bronze C5210R-EH Thickness=0.35mm
  - Pins: Brass C2680R-H Thickness=0.35mm
  - Shield: SUS 201-1/2H Thickness=0.2mm
  - Contact plating: Gold 6 micro-inches min. In contact area.
3. Wave solder tip temperature: 265°C Max, 5 Sec Max