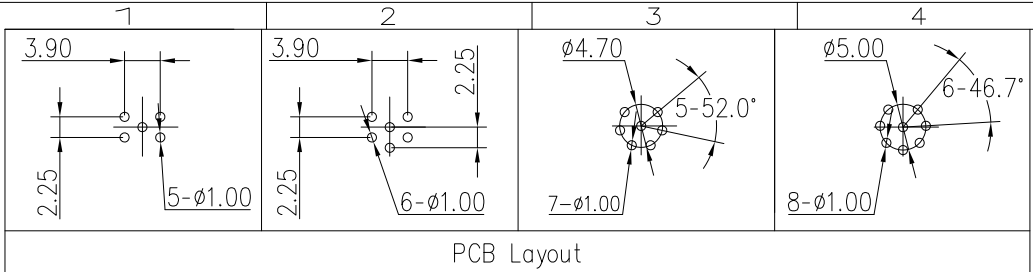
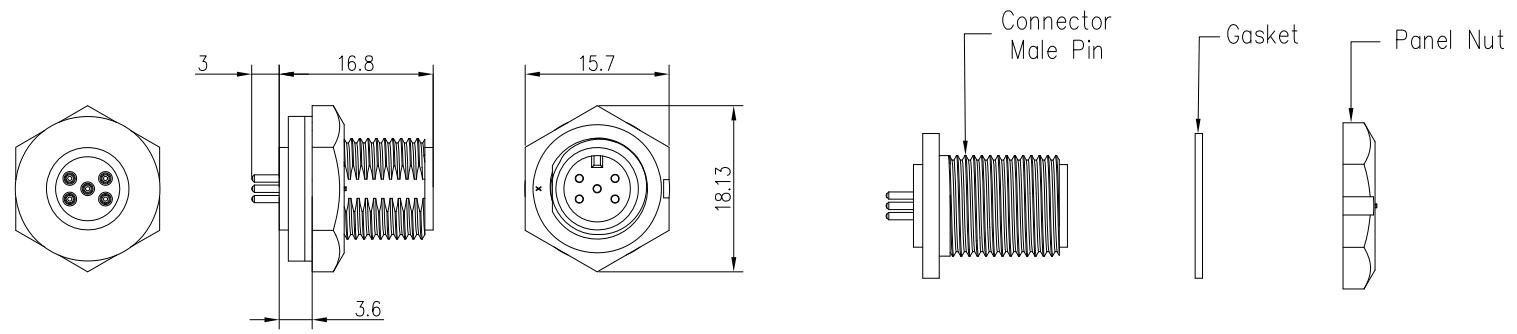
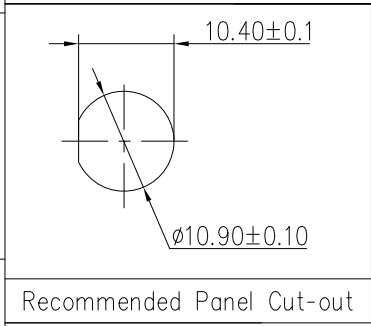


THIS INFORMATION IS CONFIDENTIAL AND IS DISCLOSED TO YOU ON CONDITION THAT NO FURTHER DISCLOSURE IS MADE BY YOU TO OTHER THAN CHOGORI PERSONNEL WITHOUT AUTHORIZATION FROM CHOGORI CORP.



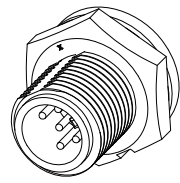
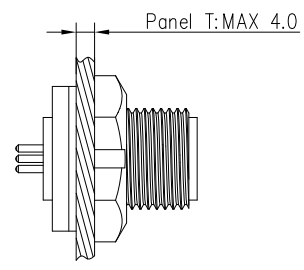
| REV. | ECN NO. | DESCRIPTION | SIGN | DATE |
|------|---------|-----------------|---------|------------|
| C1 | N/A | INITIAL DRAWING | Victory | 2020/04/18 |
| | | | | |



21XXX515-02
Pin Number

| | |
|------------------|------------------|
| | |
| 7 Pin | 8 Pin |
| P/N: 21007515-02 | P/N: 21008515-02 |
| | |
| 5 Pin | 6 Pin |
| P/N: 21005515-02 | P/N: 21006515-02 |

Pin Assignments Front View



- Specification:
- 1.Operation Temperature: -45°C~105°C.
 - 2.Insulation Resistance:100MΩ at DC 500V.
 - 3.Contact Resistance:<10mΩ .
 - 4.Withstand Voltage:1300V AC.
 - 5.Operating Current:2A.
 - 6.Operating Voltage:AC 110V.
 - 7.Waterproof Rate:IP67(Mated).
 - 8.Connector:Nylon+GF, Black.
 - 9.Panel Nut:Nylon, Black.
 - 10.Gasket:Silicon, Gray.
 - 11.Male Pin:Copper Alloy, Gold Plated.
 - 12.RoHS Compliant.
 - 13.UL Compliant.
 - 14.Mating Cap P/N: 806-00028-00

| | | |
|--|------------|---|
| UNIT:mm | | DESCRIPTION Mini Series Screw Type Front Mount With Male Pin(PCB) |
| TOLERANCE .X ±0.25 .XX ±0.15 .XXX ±0.05 ANGLES ±1° | SCALE: 4:5 | SHEET 1 OF 1 |
| REV. C1 | SIZE A4 | * :Inspection Item |



| | | | | | |
|----------|-------------|-------------|---------|------|------------|
| PART NO | 21XXX515-02 | DRAWN BY | Victory | DATE | 200/04/18 |
| DWG NO | | CHECKED BY | Ivan | DATE | 2020/04/18 |
| CUSTOMER | | APPROVED BY | Panson | DATE | 2020/04/18 |