

Bellows suction cups (round)

SPB1 40 ED-65 G1/4-AG

Part no.:10.01.06.03498

<https://www.schmalz.com/10.01.06.03498>

Home > Vacuum Technology for Automation > Vacuum Components > Vacuum Suction Cups > Suction Cups for the Packaging Industry > Bellows Suction Cups SPB1 (1.5 Folds) > SPB1 40 ED-65 G1/4-AG

Bellows suction cup (round) for very uneven workpieces



Size: 40

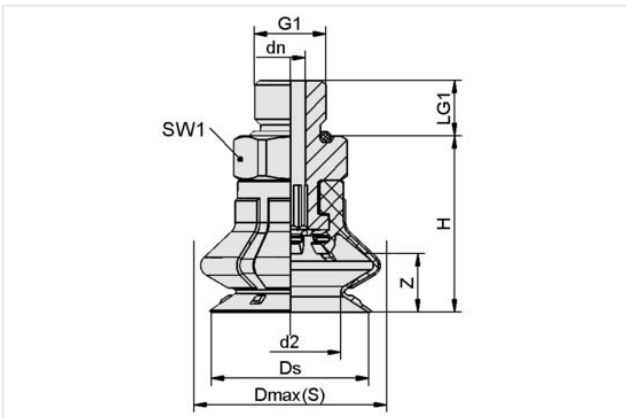
Suction cup material: Elastodur

Material hardness [Shore A]: 65 Shore A

Thread G1: G1/4"-M

Number of folds: 1.5

Design Data



Attribute	Value
d2	26.10 mm
dn	6.10 mm
Dmax(S)	48 mm
Ds	41.40 mm
G1	G1/4"-M
H	37.20 mm
LG1	10 mm
SW1	17 mm
Z (Stroke)	16 mm

Technical Data

Attribute	Value
Suction force (-600mbar)	35.90 N
Pull-off force	46.80 N
Lateral force	24.80 N
Volume	18.33 cm ³
Curve radius (min) (convex)	70 mm
Hose diameter (empf.) d	6 mm
Size	40
Number of folds	1.50

Contact Schmalz

Schmalz Inc. | 5850 Oak Forest Drive, Raleigh, NC 27616, United States | +1 (919) 713-0880 | schmalz.us@schmalz.com

Bellows suction cups (round)

SPB1 40 ED-65 G1/4-AG

Part no.:10.01.06.03498

<https://www.schmalz.com/10.01.06.03498>

Suction cup material	Elastodur
Material hardness [Shore A]	65 Shore A
Weight	21.20 g
Product family	SPB1

Accessories



SIEB 17.5x0.8 MS-A2 280 0.28/0.16

Part no.:10.07.01.00308

External diameter D: 17.5 mm

Length L: 0.8 mm

Material: Brass / Stainless steel

Filter pore size: 280 µm



SPI 33 PA SPB1-40

Part no.:10.01.06.03387

Size: 33

Material: Polyamide

Use: SPB1-40

Spare parts

Contact Schmalz

Schmalz Inc. | 5850 Oak Forest Drive, Raleigh, NC 27616, United States | +1 (919) 713-0880 | schmalz.us@schmalz.com

Bellows suction cups (round)

SPB1 40 ED-65 G1/4-AG

Part no...:10.01.06.03498

<https://www.schmalz.com/10.01.06.03498>



SC 050 G1/4-AG MOD

Part no...:10.01.06.02487

Connection geometry: 050

Connection: G1/4"-M

Length L1: 26.5 mm

Fitting length: 7.2 mm

Nominal diameter dn: 6.1 mm



SPB1 40 ED-65 SC050

Part no...:10.01.06.02455

Size: 40

Suction cup material: Elastodur

Material hardness [Shore A]: 65 Shore A

Number of folds: 1.5