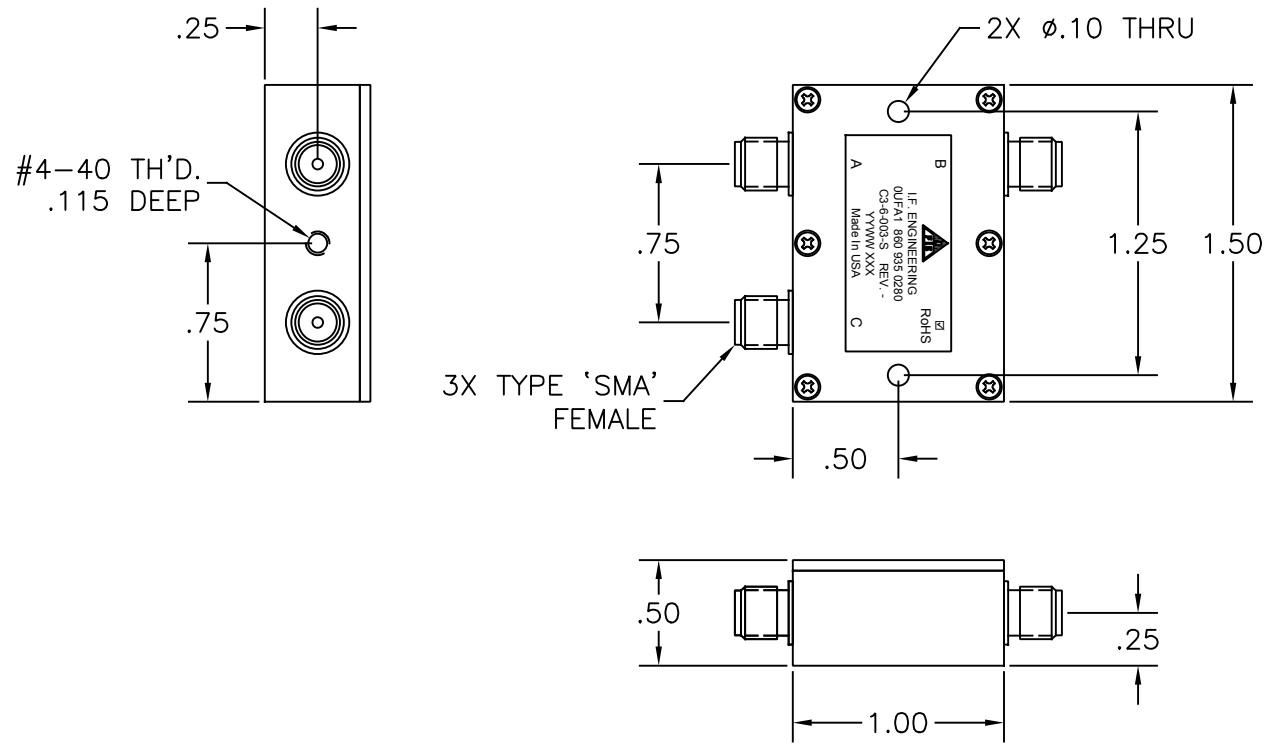


THIS DOCUMENT CONTAINS PROPRIETARY INFORMATION. ANY REPRODUCTION, DISCLOSURE, OR USE OF ITS CONTENTS IS EXPRESSLY PROHIBITED EXCEPT AS AUTHORIZED BY I.F. Engineering Corp

REVISION			
LTR.	DESCRIPTION	DATE	APPVL.
-	ENG. RELEASED	10/14/20	MJD



ELECTRICAL SPECIFICATION DIRECTIONAL COUPLER		
FREQUENCY RANGE (MHZ)	20-100	100-500
COUPLING (dB) NOM.	6	6
COUPLING TOL. (dB) MAX.	±0.3	±0.3
COUPLING VARIATION (dB) MAX.	±0.35	±0.35
INSERTION LOSS (dB) MAX. *	0.7	0.7
DIRECTIVITY (dB) MIN.	20	20
VSWR MAX. (PORT A)	1.4:1	1.3:1
VSWR MAX. (PORTS B & C)	1.3:1	1.3:1
IMPEDANCE (OHMS) NOM.	50	50
TEMPERATURE RANGE (°C)	0 TO +50	0 TO +50
INPUT POWER (WATTS) MAX.	2	2

* NOTE: INSERTION LOSS DOES NOT INCLUDE THEORETICAL COUPLING LOSS.

PORT	DESIG.
A	INPUT
B	OUTPUT
C	COUPLED

**RoHS
Compliant**

	THIRD ANGLE PROJECTION	DRAWN	DATE
		MJD	3/9/20
UNLESS OTHERWISE SPECIFIED DIMENSIONS MEASURED IN INCHES DRAWING PRACTICES PER ASME Y14.100	ENGRG APPD	DATE	
	AM	10/14/20	
TOLERANCES ANGLES ±1/2° .XX ±.01 .XXX ±.005	MFG APPD	DATE	
	JU	10/14/20	
MATERIAL: SEE NOTE 1	QA APPD	DATE	
	EJS	10/14/20	
FINISH: SEE NOTE 2	RELEASED	DATE	
	MJD	10/14/20	

***I.F.E* ENGINEERING**
3 FOSHAY ROAD, DUDLEY MA 01571

TITLE
OUTLINE DRAWING
C3-6-003-S

SIZE	CODE IDENT NO.	DRAWING NO.	REV.
A	OUF A1	110-297-181	-
SCALE	1:1	SHEET	1 OF 1

- NOTES:
1. MATERIAL: CHASSIS & COVER ALUMINUM
 2. FINISH: CLEAR CHROMATE
 3. SPECIFICATION SUBJECT TO CHANGE WITHOUT NOTICE