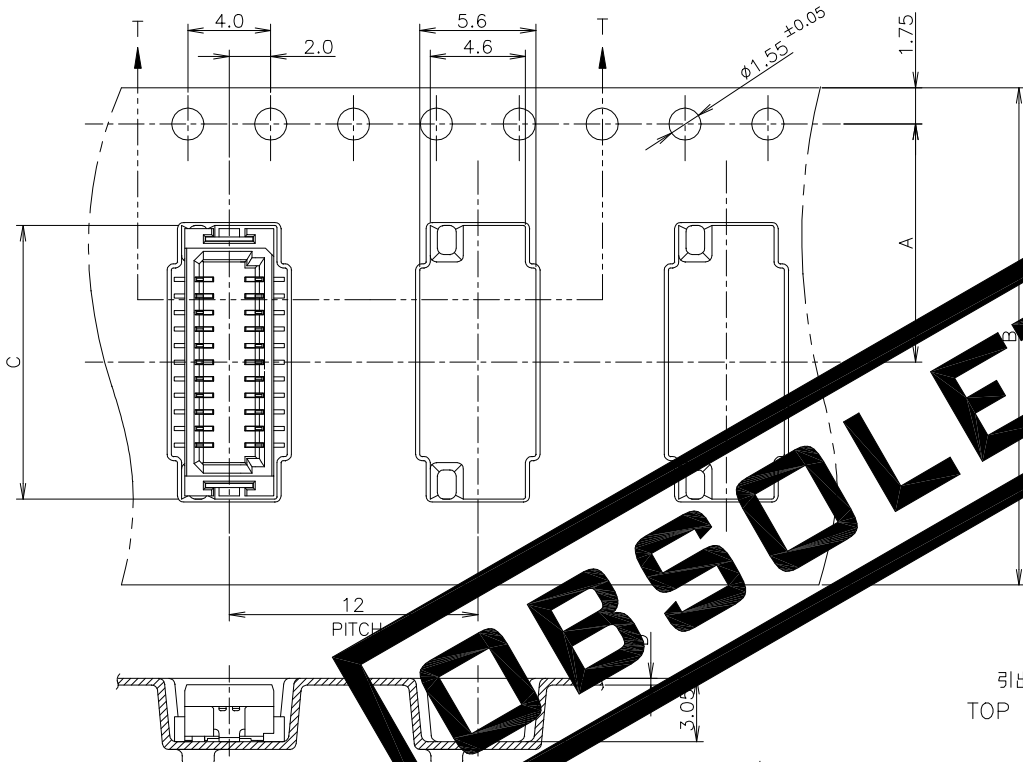
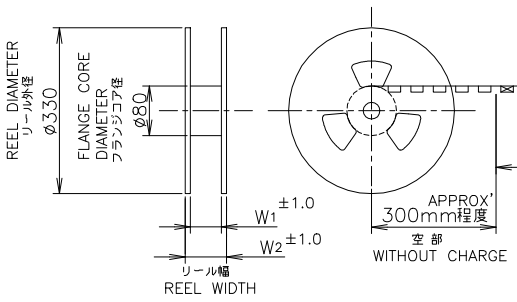


REVISIONS				
P	LTR	DESCRIPTION	DATE	APVD
	A1	OBSOLETE 2-5917407-2 BY ECR-19-020018	2JAN2020	A.L H.L

1 - -0: 本図  
1 - -0: AS SHOWN



引出し方向  
TOP OF REEL →



カバーテープ  
リーダー部  
WEEDING 外周一卷  
AROUND THE COVER TAPE  
PERIPHERY IN  
A TURN. 剥離角度, 165°~180°  
PEELING ANGLE.

OBSOLETE	22.0	18.0	0.5	8.4	16	7.5	100	10	1	5917407-0
	W <sub>2</sub>	W <sub>1</sub>	D	C	B	A	数量 QTY/REEL	極数 POS	リール巻 コネクタ型番 TAPING P/N	

THIS DRAWING IS A CONTROLLED DOCUMENT.

DIMENSIONS: 単位: 耗 mm	TOLERANCES UNLESS OTHERWISE SPECIFIED: 一般公差	DWN M.IWASAKI 27DEC04	TE Connectivity Ltd.
0 PLC ± 1 PLC ± 2 PLC ± 3 PLC ± 4 PLC ± ANGLES ±	MATERIAL 材料	CHK Y.NAKAZAWA 27DEC04 APVD T.KUSUHARA 27DEC04 PRODUCT SPEC 製品規格 APPLICATION SPEC 取付適用規格 WEIGHT	
GENERAL TOLERANCE 一般公差 10 ≥ : ±0.2 30 ≥ > 10: ±0.25 100 ≥ > 30: ±0.3 ANGLES: ±3°	FINISH 仕上	SIZE A3 CAGE CODE 00779 DRAWING NO C=5917407	RESTRICTED TO

CUSTOMER DRAWING SCALE 4:1 SHEET 1 OF 4 REV A1

4

3

2

1

THIS DRAWING IS UNPUBLISHED. RELEASED FOR PUBLICATION DEC. 2004.  
 © COPYRIGHT 2004 By - ALL RIGHTS RESERVED.

REVISIONS				
P	LTR	DESCRIPTION	DATE	APVD
-	-	SEE SHEET 1	-	-

本図: 1- -0 コネクタ図  
 AS SHOWN: 1- -0  
 CONNECTOR DWG

OBSOLETE

1 材料: タブハウジング: 46ナイロン (耐熱性樹脂)  
 タブコンタクト: 銅合金 (t=0.2mm) 金めっき  
 テールプレート: 銅合金 (t=0.2mm) 錫めっき

△ 全てのタイン部及びテールプレートのバラツキは 0.1mm MAX.

1 MATERIAL  
 TAB HOUSING: 46 NYLON (HIGH HEAT-RESISTED RESIN)  
 TAB CONTACT: COPPER-ALLOY (t=0.2mm) Au PLATING  
 TAIL PLATE: COPPER-ALLOY (t=0.2mm) TIN PLATING

△ MISALIGNMENT BETWEEN TAINS AND TAIL PLATE: 0.1mm MAX.

GENERAL TOLERANCE  
 一般公差  
 10 ≥ : ±0.2  
 30 ≥ > 10: ±0.25  
 100 ≥ > 30: ±0.3  
 ANGLES: ±3°

THIS DRAWING IS A CONTROLLED DOCUMENT.

DIMENSIONS:  
 単位: 概 mm

TOLERANCES UNLESS OTHERWISE SPECIFIED:  
 一般公差

0 PLC ±  
 1 PLC ±  
 2 PLC ±  
 3 PLC ±  
 4 PLC ±  
 ANGLES ±

FINISH  
 仕上

MATERIAL  
 材料

INSTRUCTION SHEET 取扱説明書 411-5808	7.15 H	8.1 G	6.2 F	3.2 E	10 極数 POS	1-5917407-0 型番 PART NO
DWN	TE Connectivity Ltd. ON TAPING EMBOSS 0.8mm PITCH FINE MATE CONN TAB ASSEMBLY WITH BOSS V-TYPE					
CHK						
APVD						
PRODUCT SPEC 製品規格						
APPLICATION SPEC 取付適用規格	SIZE A3	CAGE CODE 00779	DRAWING NO 番号 G=5917407	RESTRICTED TO		
WEIGHT	CUSTOMER DRAWING		SCALE 尺度 10:1	SHEET 2 OF 4	REV A1	

1470-19 (1/15)

4

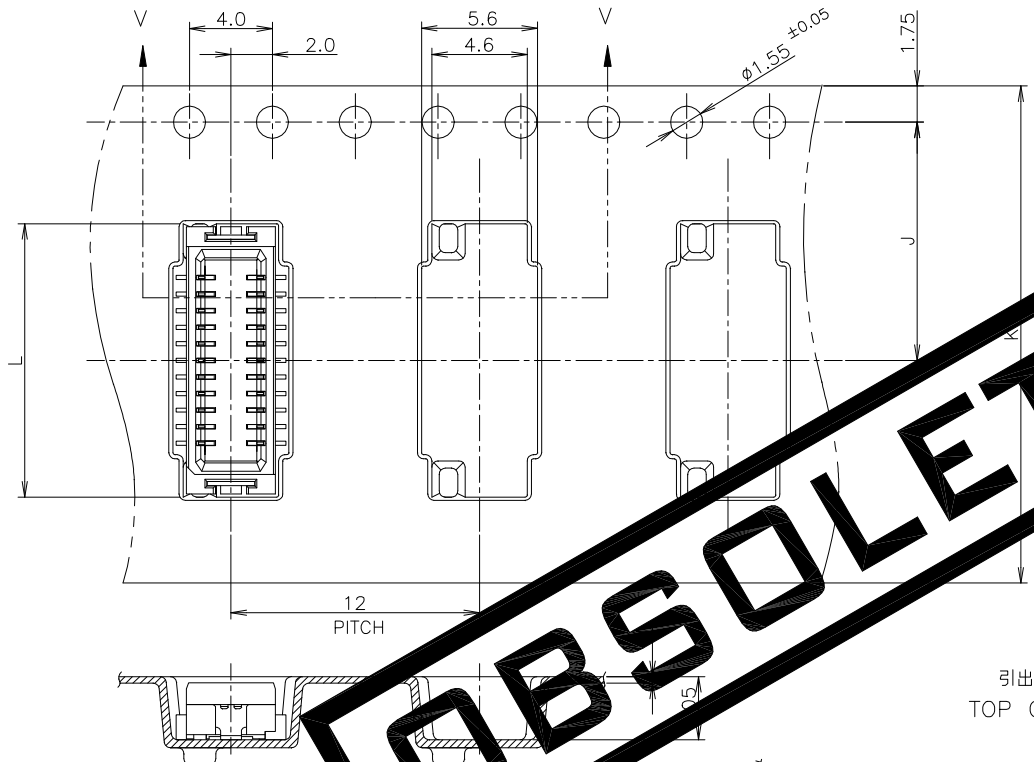
3

2

1

THIS DRAWING IS UNPUBLISHED. RELEASED FOR PUBLICATION DEC. 2004.  
 © COPYRIGHT 2004 By - ALL RIGHTS RESERVED.

P		LTR		DESCRIPTION	DATE	DWN	APVD
-		-		SEE SHEET 1	-	-	-

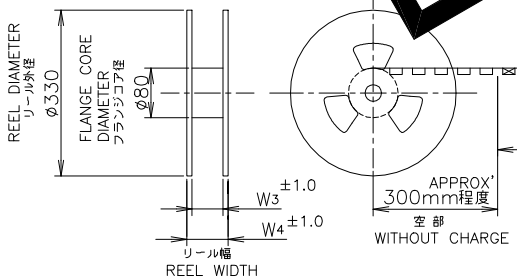


2- -2: 本図  
 2- -2: AS SHOWN

**OBSCLETE**

引出し方向  
 TOP OF REEL →

カバーテープ  
 リンダー部  
 WEEDING 外周一卷  
 AROUND THE COVER TAPE  
 PERIPHERY IN  
 A TURN. 剝離角度, 165°~180°  
 PEELING ANGLE.



29.5	25.5	0.38	13.2	24	11.5	1000	22	2	5917407-2
W <sub>4</sub>	W <sub>3</sub>	M	L	K	J	数量 (ヶ) QTY/REEL	極数 POS	リール番 コネクタ型番 TAPING P/N	

THIS DRAWING IS A CONTROLLED DOCUMENT.

DIMENSIONS: 単位: 耗 mm	TOLERANCES UNLESS OTHERWISE SPECIFIED: 一般公差	DWN	TE Connectivity Ltd. <b>ON TAPING EMBOSS</b> 0.8mm PITCH FINE MATE CONN TAB ASSEMBLY WITH BOSS V-TYPE
 GENERAL TOLERANCE 一般公差 10 ≥ : ±0.2 30 ≥ > 10: ±0.25 100 ≥ > 30: ±0.3 ANGLES: ±3°	0 PLC ± 1 PLC ± 2 PLC ± 3 PLC ± 4 PLC ± ANGLES ±	NAME 名称 PRODUCT SPEC 製品規格 APPLICATION SPEC 取付適用規格 WEIGHT	
MATERIAL 材料	FINISH 仕上	SIZE A3 CAGE CODE 00779 DRAWING NO 番号 C=5917407 RESTRICTED TO	
CUSTOMER DRAWING		SCALE 尺度 4:1 SHEET 3 OF 4 REV A1	

THIS DRAWING IS UNPUBLISHED.

RELEASED FOR PUBLICATION

DEC ,2004.

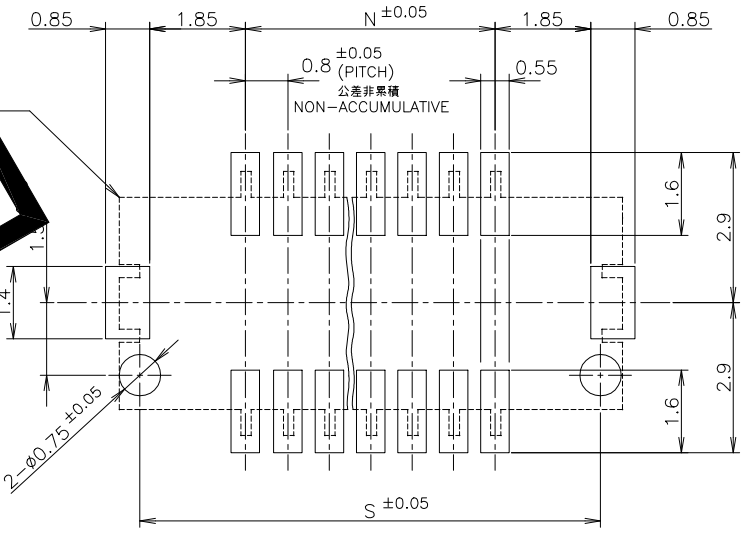
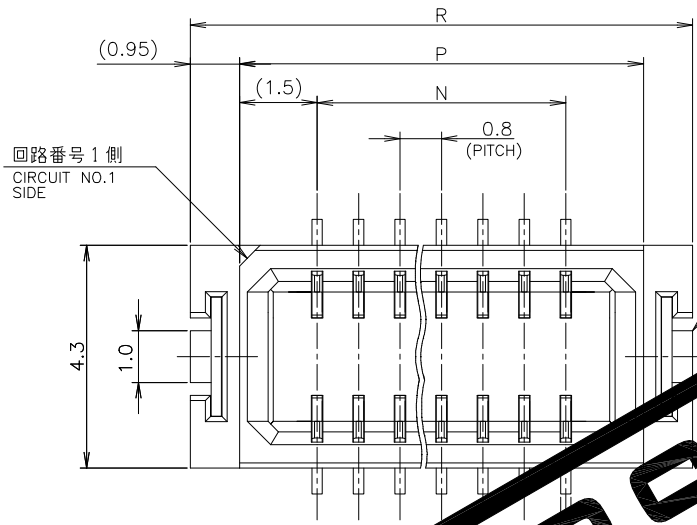
© COPYRIGHT 2004 By -

ALL RIGHTS RESERVED.

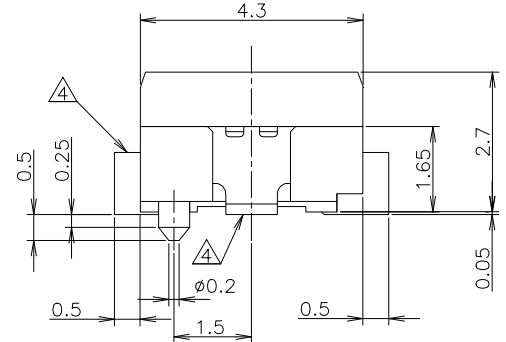
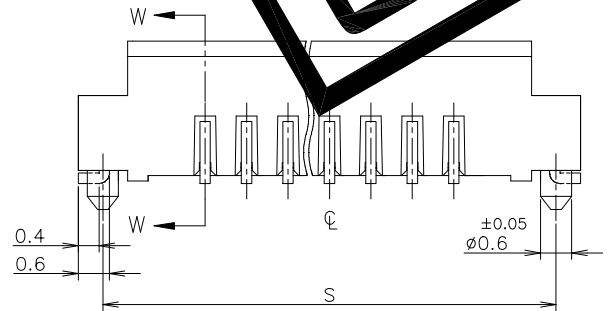
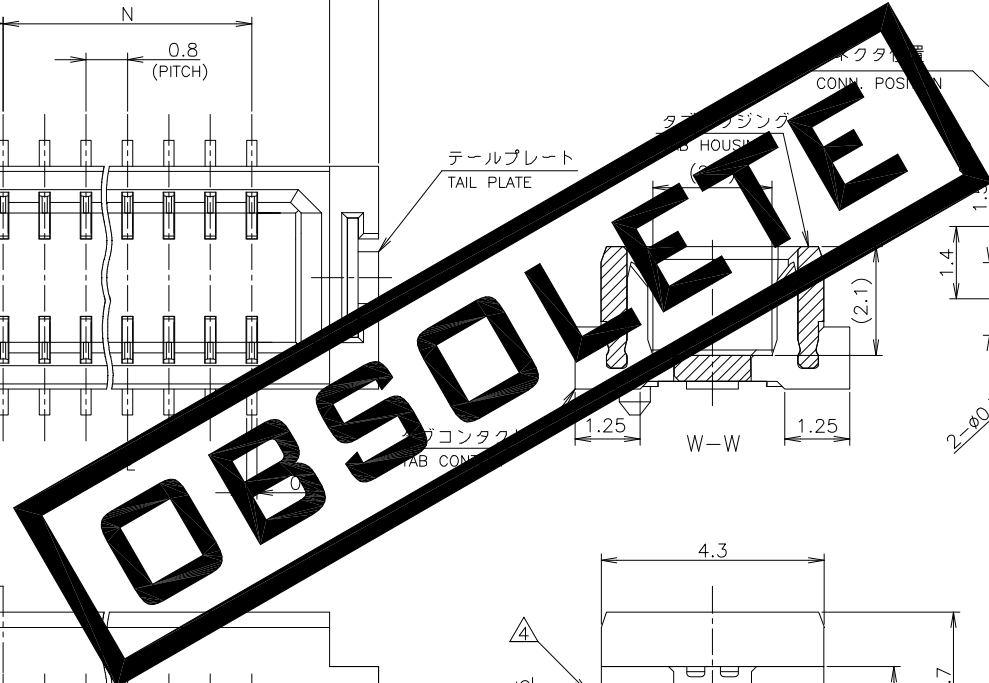
REVISIONS

P	LTR	DESCRIPTION	DATE	DWN	APVD
-	-	SEE SHEET 1	-	-	-

本図: 2- -2 コネクタ図  
AS SHOWN: 2- -2  
CONNECTOR DWG



参考基板加工寸法  
REFERENCE P.C. BOARD LAYOUT



- 3 材料: タブハウジング: 46ナイロン (耐熱性樹脂)
- タブコンタクト: 銅合金 (t=0.2mm) 金めっき
- テールプレート: 銅合金 (t=0.2mm) 錫めっき

△ 全てのタイン部及びテールプレートのバラツキは 0.1mm MAX.

- 3 MATERIAL
- TAB HOUSING: 46 NYLON (HIGH HEAT-RESISTED RESIN)
- TAB CONTACT: COPPER-ALLOY (t=0.2mm) Au PLATING
- TAIL PLATE: COPPER-ALLOY (t=0.2mm) POST TIN PLATING

△ MISALIGNMENT BETWEEN TAINS AND TAIL PLATE: 0.1mm MAX.

GENERAL TOLERANCE  
一般公差

10 ≥	±0.2
30 ≥ > 10:	±0.25
100 ≥ > 30:	±0.3
ANGLES:	±3°

THIS DRAWING IS A CONTROLLED DOCUMENT.

DIMENSIONS: 単位: 耗 mm

TOLERANCES UNLESS OTHERWISE SPECIFIED: 一般公差

0 PLC	±
1 PLC	±
2 PLC	±
3 PLC	±
4 PLC	±
ANGLES	±

FINISH 仕上

MATERIAL 材料

INSTRUCTION SHEET 取扱説明書 411-5808

11.95	12.9	11.0	8.0	22	2-5917407-2
S	R	P	N	極数 POS	型番 PART NO

DWN  
CHK  
APVD  
PRODUCT SPEC 製品規格 108-5512  
APPLICATION SPEC 取付適用規格  
WEIGHT

TE Connectivity Ltd.  
ON TAPING EMBOSS  
0.8mm PITCH FINE MATE CONN  
TAB ASSEMBLY WITH BOSS V-TYPE

SIZE A3	CAGE CODE 00779	DRAWING NO. 番号 C=5917407	RESTRICTED TO
---------	-----------------	--------------------------	---------------

CUSTOMER DRAWING SCALE 尺度 10:1 SHEET 4 OF 4 REV A1