

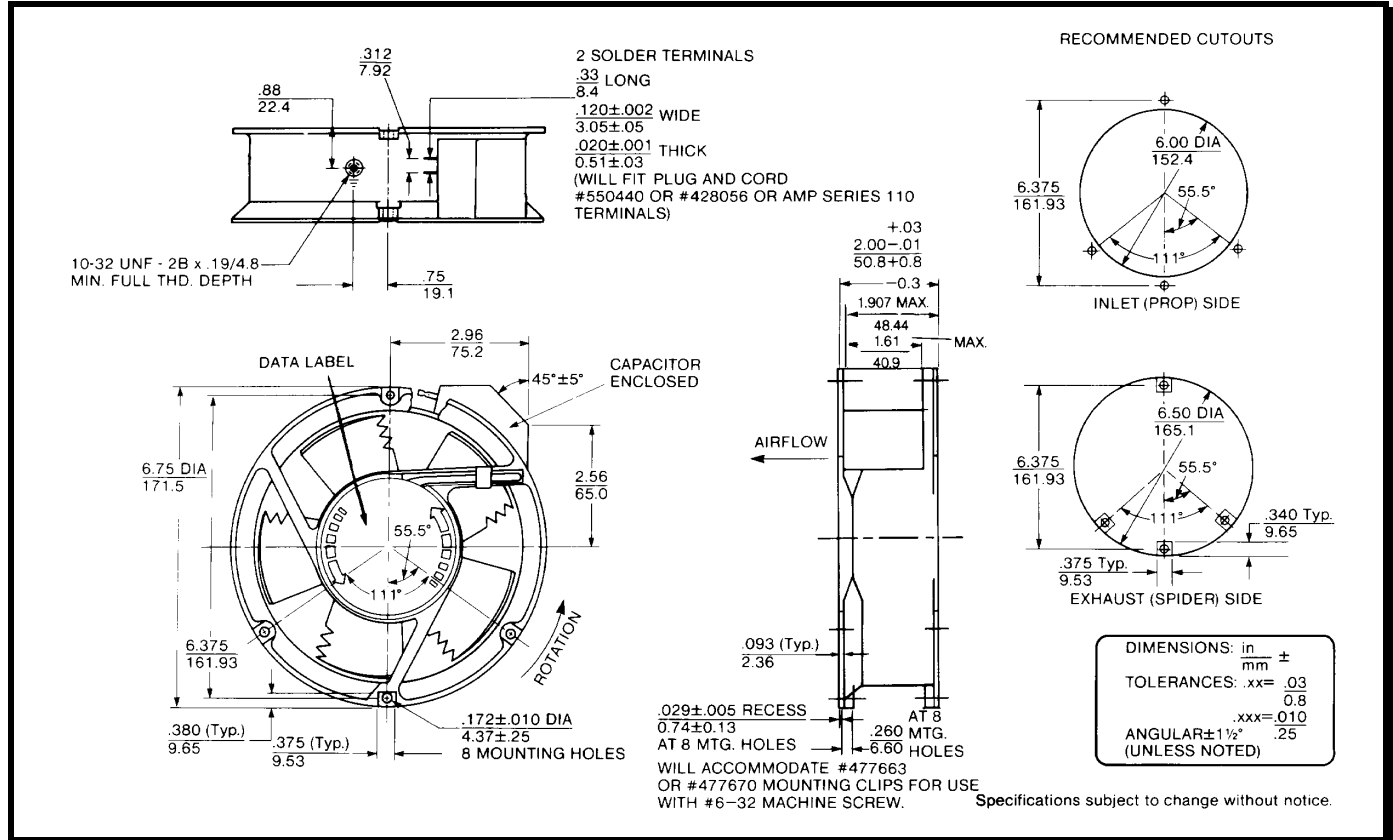
# SPECIFICATIONS



**Model Number:** PT2D3  
**Part Number:** 19032213A

**Version:** 01  
**May 5, 2015**

## Mechanical Drawing:



### Motor:

Nominal Voltage	= 115 VAC
Frequency	= 50 / 60 Hz
Nominal Running Current	= 0.170 / 0.150 amps
Max. Locked Rotor Current	= 0.225 amps
Running Power	= 18.0 / 16.0 watts
Average Speed	= 1400 / 1700 RPM
Bearings	= Ball
Air Flow	= 94 / 114 CFM
Acoustic	= 34.5 / 37.5 dBA

### Construction:

Venturi: Single Piece Die Cast Aluminum, Black.  
 Propeller: Plastic, Black, UL 94V-0

### Life Expectancy:

This fan is designed for continuous duty life of 62,000 hours at 40°C.

### Additional Features:

Permanent Split Capacitor Motor  
 Thermal Protection  
 Automatic Restart Capability  
 Operating Temperature: -10°C to 70°C  
 Storage Temperature: -40°C to 85°C

### Additional Features:

2x 0.120" Terminals

### Agency Approvals:

UL, CUL, CE

**PQ Curve:**

