



Copyright FCI.

A

B

C

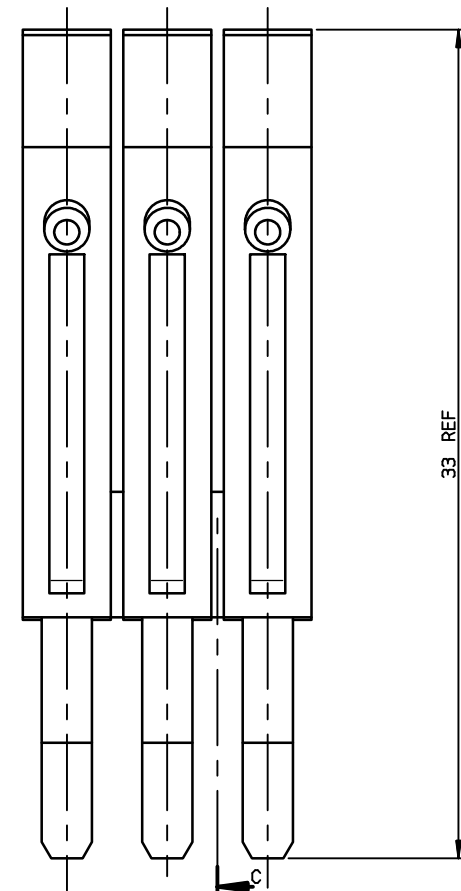
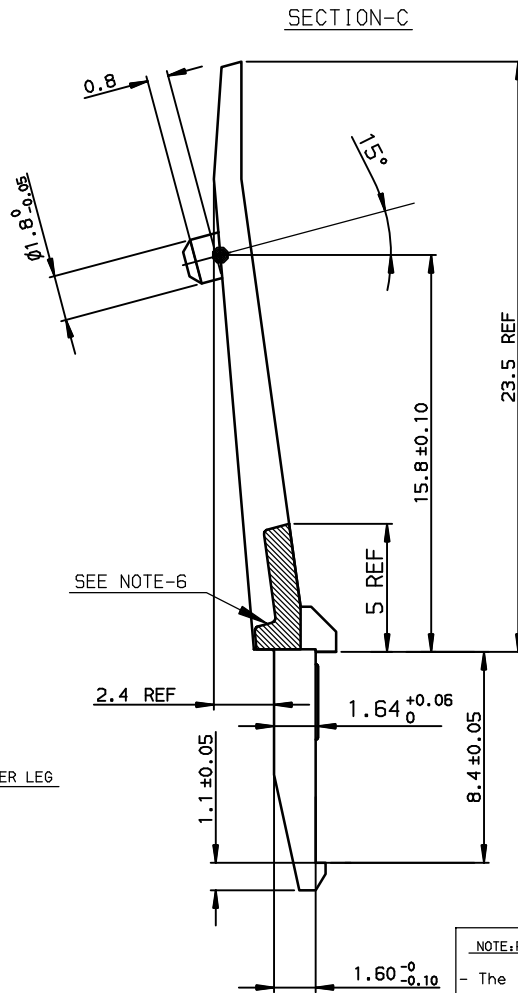
D

A

B

C

D



NOTE:RoHS INFORMATIONS

- The "LF" product meets European union Directives and other country regulations as described in GS-22-008.
- The product is not intended to be exposed to a manufacturing solder process.
- Packaging spec: see GS-14-920.

European Views

Part Number: HM13260LF

NOTE-1: LATCH DIMENSIONS ACCORDING TO IEC-1076-4-XXX DRAFT

NOTE-3: LATCH MATERIAL = POLYAMID COLOR BLACK

NOTE-4: REMOVAL TOOLING,USE ANOTHER LATCH HM13260

NOTE-6: ATTACH AT THE BOTTOM OF LEGS,ONLY.

REV F - 2006-04-17

rev	ecn no	dr	date
A	LS05-0086	JTA	2005/10/13
B	LS06-0095	LGO	2006/07/05
-	-	-	-
-	-	-	-
-	-	-	-
-	-	-	-

www.fciconnect.com		surface ISO 1302	tolerance std ISO 406 ISO 1101	projection mm
		TOLERANCES UNLESS OTHERWISE SPECIFIED		
Dr	CHAMPION	2005/10/13	ANGULAR	0.x ±0.1
Eng	TARON	2005/10/13	LINEAR	0.xx ±0.1
Chr	LEGARE	2005/10/13	0.xxx ±2°	0.xxx ±0.1
Appr	LEGARE	2005/10/13	Product family	METRAL
FCI		title HM1 BOARD TO CABLE - UNIVERSAL LATCH SPECIFIC FOR ALCATEL		size A3
catalog no		-		Scale 5
		drawing no C-8626-11300		ECN LS06-0095
		CUSTOMER		Spec ref -
		sheet 1 of 1		Rev. B