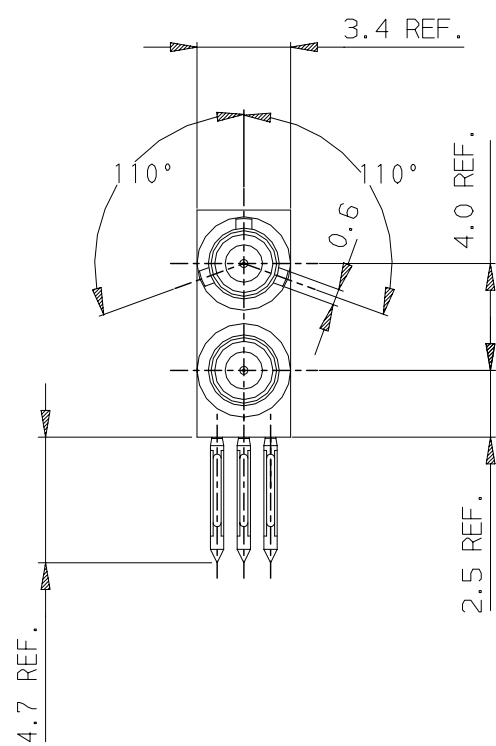
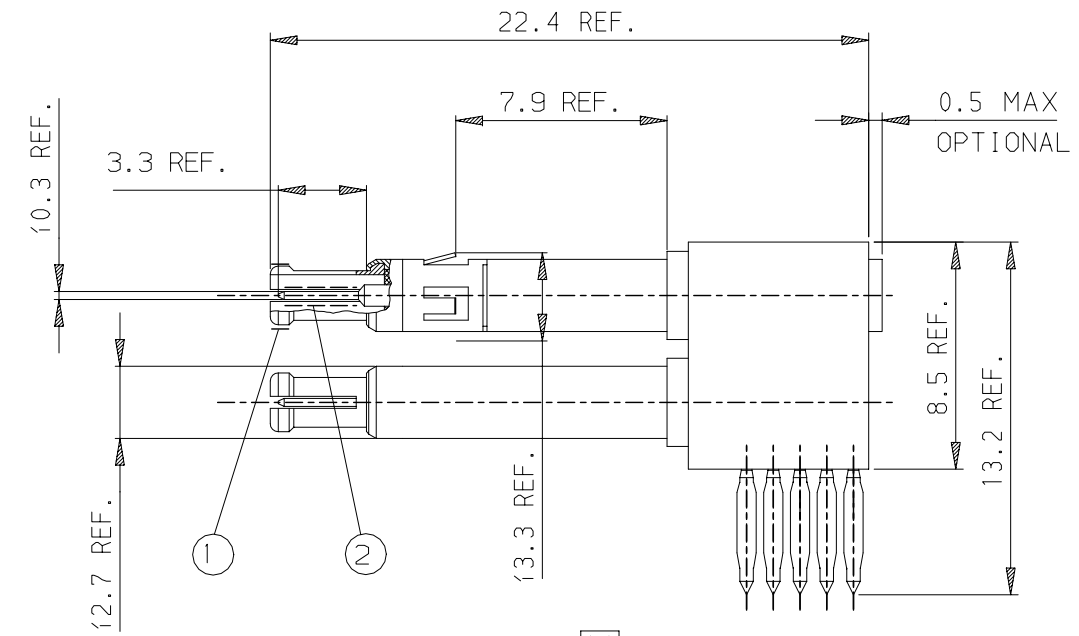


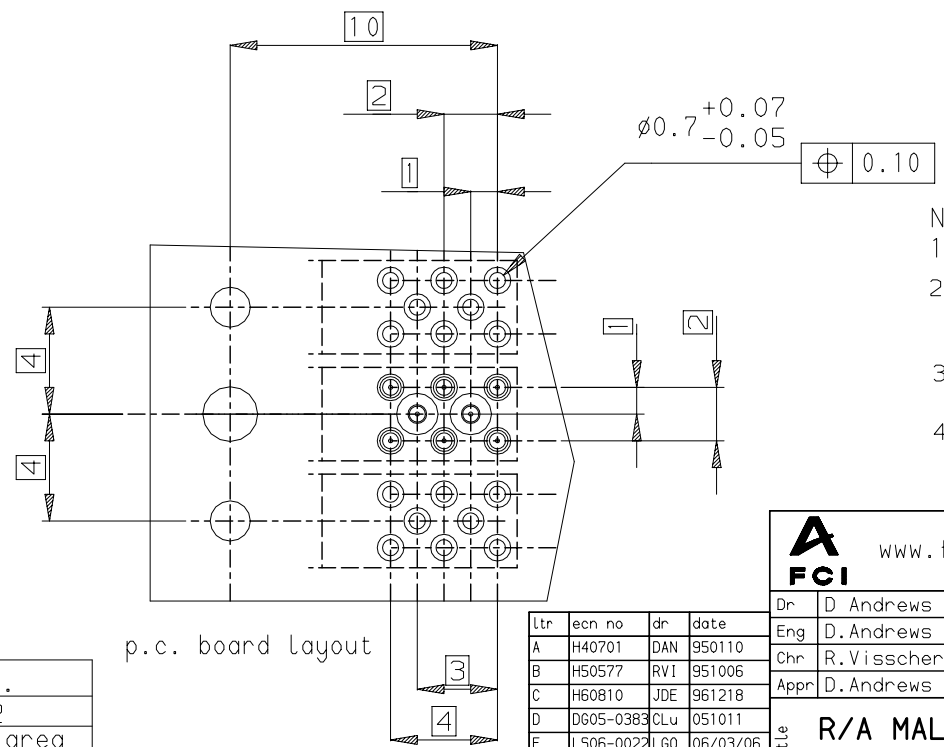
Tous droits strictement réservés. Reproduction ou communication a des tiers interdite sous quelque forme que ce soit sans autorisation écrite du propriétaire. Propriété de c FCI. Droits de reproduction FCI.

**FCI**

ALL rights strictly reserved. Reproduction or issue to third parties in any form whatever is not permitted without written authority from the proprietor. Property of FCI. Copyright FCI.



STANDARD P/N	89030-001
LEAD-FREE P/N	89030-001LF



1.27  $\mu$ m Au Min.  
Positions 1 & 2  
Plating on contact area

- NOTE:
1. All dimensions are reference.
  2. THIS PRODUCT WITH "LF" SUFFIX MEETS EUROPEAN UNION DIRECTIVES AND OTHER COUNTRY REGULATIONS AS DESCRIBED IN GS -22-008.
  3. THE PRODUCT IS NOT INTENDED TO BE EXPOSED TO A MANUFACTURING SOLDER PROCESS.
  4. PACKAGING SPEC: SEE GS-14-920

European view

<b>FCI</b>	www.fciconnect.com		ISO 1302	tolerance ISO 406 ISO 1101	projection 	mm 	
	Dr D Andrews	941014	Product family	METRAL (tm)	size	Scale	
Eng D Andrews	941014	Spec ref	-	-	A3	5	
Chr R. Visschers	950110	Material	SEE NOTES	ECN	LS06-0022		
Appr D. Andrews	950110						
title			R/A MALE 50ohm MINI COAX PRESS-FIT		dwg no	89030	
catalog no			- CUSTOMER COPY		Rev.	E	
					sheet	1 of 1	