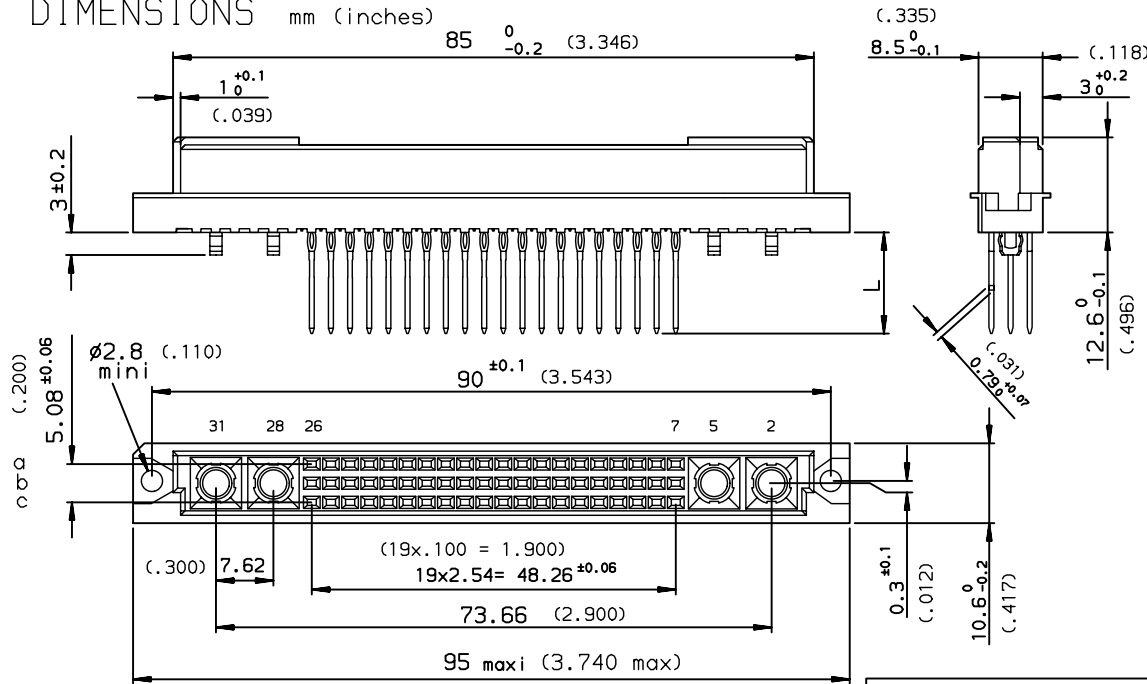


DIMENSIONS mm (inches)



ELECTRICAL DATA (for signal contacts)

-Current at AMB.	1.5 A at 20° C / 1 A at 70° C
-I max	2A
-Contact resistance	<20ma according to DIN 41640 Teil 4 test 2a
-Insulation resistance	>10 ⁶ Ma according to DIN 41640 teil 7 test 3a
-TEST VOLTAGE	according to DIN 41640 teil 21
contact/contact	1000V eff (0.5 mA / 50 Hz)
contact/ground	1550V eff (0.5 mA / 50 Hz)
-Press Fit termination resistance	< 1 ma

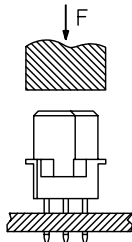
MECHANICAL DATA (for signal contacts)

-Mating force	60 Cts : <56N (12.65 Lb) / 40 Cts : <38N (8.6 Lb)
-Unmating force	60 Cts : >9N (2.05 Lb) / 40 Cts : >6N (1.35 Lb)
-Mechanical endurance	class 1 500 matings unmatings according to DIN41640 teil 21 class 2 400 class 3 50
-Press in insertion force per pin	180 N (40.7 Lb) max / 75 N (17 Lb) standard
-Material insulator	Polyester thermoplastic UL94V0
-Material contacts	Phosphor bronze
-Finishing contact surface	Gold over Nickel
-Finishing termination	Tin Lead
-Shock	<40ma according to DIN 41640 Teil 14 test 6c
-Vibration	class 1 10-2000Hz/20g according to DIN 41640 Teil 15 class 2 10-500Hz/5g
-Backpanel or PCB thickness:	1.6 , 2,4 or 3,2 mm

ENVIRONMENTAL DATA

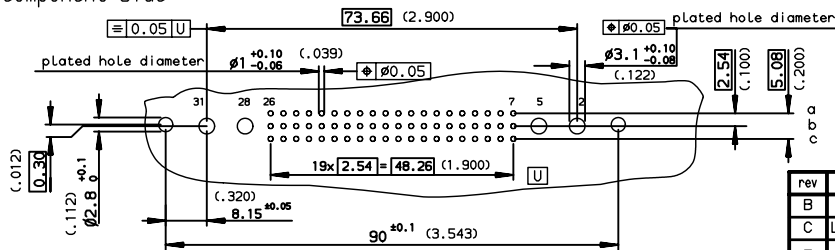
-Climatic category	According to DIN 41612
-Corrosion	According to DIN 41612

METHOD OF INSERTION ON THE PCB = FLAT ROCK



PCB DRILLING component side

PERFORMANCES AS PER DIN 41612



PART NUMBER	8609	DP	7	5	000	E3
PIN OUT						
rows a-b-c	3 - 60					
rows a-c	4 - 40					
NUMBER OF CONTACTS						
TERMINATION						
L = 13.10 ±0.20 (.515)	1 wrap					91
L = 17.10 ±0.20 (.673)	2 wraps					92
L = 3.00 ±0.20 (.118)	short post					94
PERFORMANCE CLASS						
DIN 41612 class 3						4
DIN 41612 class 2						6
DIN 41612 class 1						6

European Views

www.fciconnect.com		surface	tolerance std	projection	mm
		ISO 1302 ✓	ISO 406 ISO 1101		
TOLERANCES UNLESS OTHERWISE SPECIFIED					
		ANGULAR	LINEAR	size	Scale
		0.xx' ±2'	0.X ±0.1	A3	1.5
			0.XX ±0.1	ECN	LS07-0130
			0.XXX ±0.1	Spec ref	-
		Product family		DIN	
		Product family		DIN	
		title		Rev.	
		STRAIGHT FEMALE STYLE M		C	
		PRESS FIT		C	
		catalog no		C-8609-0526	
		CUSTOMER		sheet 1 of 1	

rev	ecn no	dr	date
B	-	HLE	1997/05/11
C	LS07-0130	HLE	2007/05/22
-	-	-	-
-	-	-	-
-	-	-	-
-	-	-	-