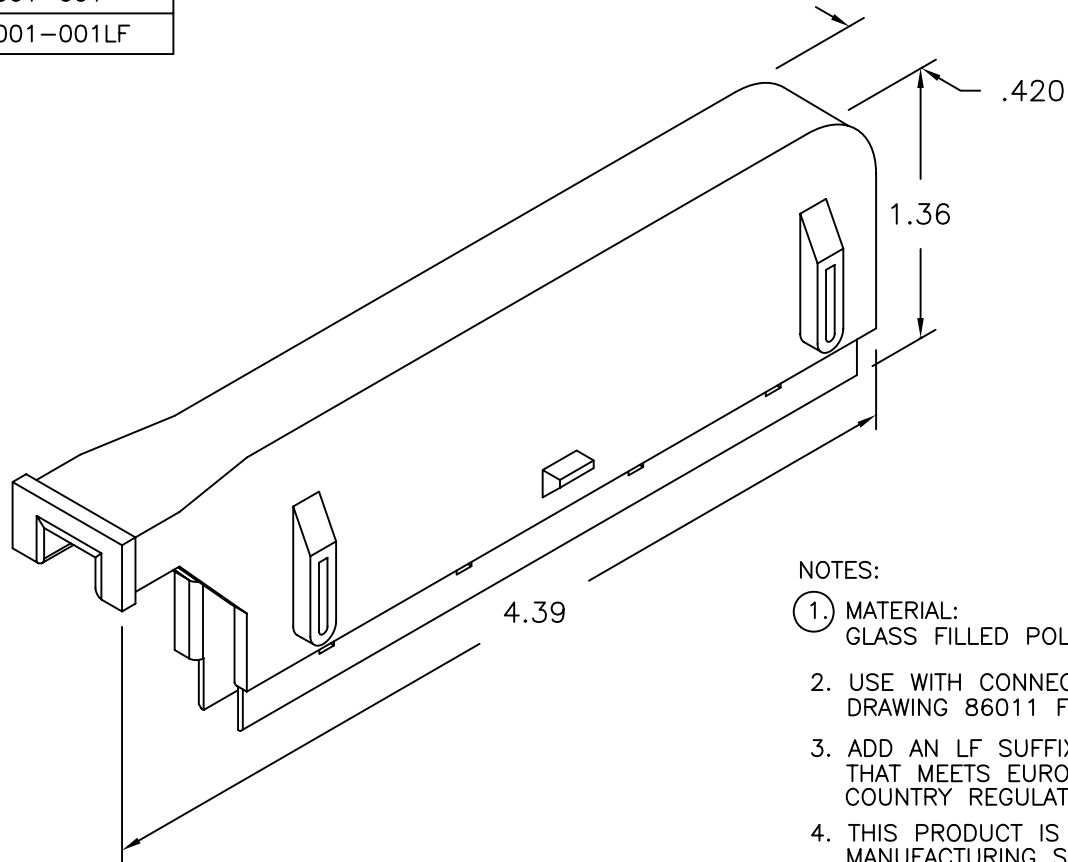


PRODUCT NUMBER
86001-001
86001-001LF



NOTES:

1. MATERIAL:
GLASS FILLED POLYCARBONATE (UL 94 V-0)
2. USE WITH CONNECTOR 86002-001. SEE CUSTOMER DRAWING 86011 FOR MORE INFORMATION.
3. ADD AN LF SUFFIX TO PART NUMBER FOR PRODUCT THAT MEETS EUROPEAN UNION DIRECTIVES AND OTHER COUNTRY REGULATIONS AS DESCRIBED IN GS-22-008.
4. THIS PRODUCT IS NOT INTENDED TO BE EXPOSED TO MANUFACTURING SOLDER PROCESSES.

mat'l. code				surface		tolerance		projection		product family	
NOTE 1				ASME Y14.5		ASME Y14.5				FASTECH	
ltr	ec'n no	dr	date	tolerances unless otherwise specified							
A	V81490	JRV	9/4/98	angles	fil	reg					
B	V94456	JRV	12/15/99	scale 1:1							
C	V01987	RC	8/17/00								
D	V05-1069	HTB	11/23/05	dr	J.VOLSTORF	12/15/99	dwg no		sheet 1 of 1		size
E	V06-0719	JRV	2006-07-26	engr	J.VOLSTORF	12/15/99	86001		A4		
				chr	J.VOLSTORF	12/15/99	type		CUSTOMER Drawing		
				appd	J.VOLSTORF	12/15/99					
sheet index	revision sheet	E	1								