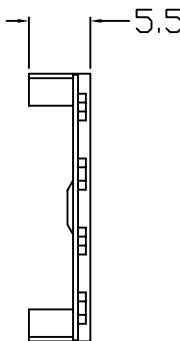
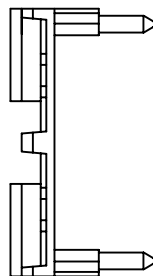
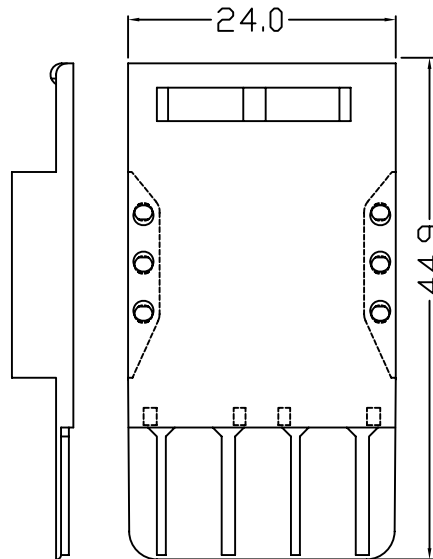
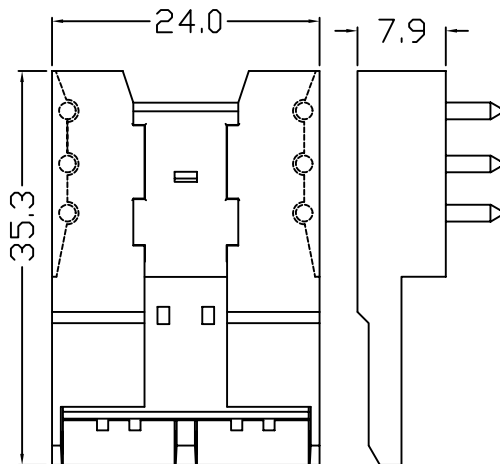


PRODUCT NO.
72513-0021 SEE NOTE 5

PRODUCT NO.
72513-0011 SEE NOTE 5



NOTES:

- SEE APPLICATION SPECIFICATION, GS-20-002, FOR INSTRUCTION ON WIRE INSERTION AND ASSEMBLY OF COMPONENTS FOR CONNECTOR USING THESE COVERS.
- MATERIAL:
GLASS FILLED 612 POLYAMIDE, UL 94V0.
- THE PRODUCTS WHERE THE PART NUMBER ENDS IN LF MEET THE EUROPEAN UNION DIRECTIVES AND OTHER COUNTRY REGULATIONS AS DESCRIBED IN GS-22-008 .
- THESE PRODUCTS LISTED ON THIS DRAWING WILL NOT WITHSTAND WAVE SOLDER OR REFLOW OPERATIONS.
- FOR LEAD FREE PART NUMBERS, ADD AN 'LF' SUFFIX. EXAMPLE 72513-0021LF.

mat'l. code				surface		tolerance		projection	product family
SEE NOTES				ASME Y14.5		ASME Y14.5			METRAL CABLE
ltr	ec'n no	dr	date	tolerances unless otherwise specified		tolerances unless otherwise specified			
A	V71561	JRV	11/5/97	angles	XX ±.3			MM	title 4X12 COVERS 4 - ROW METRAL UNSHIELDED CABLE CONNECTOR
B	V80808	JRV	6/16/98		XX ±.3				
C	V12745	LSS	11/29/01	0° ±2'	XXX ±.051			scale 1:1	
D	V05-0594	VS	08/08/05	dr	J.R.VOLSTROF	6/16/98			dwg no 72513 sheet 1 of 1 size A4
E	V06-0613	JRV	2006-06-22	engr	J.R.VOLSTROF	6/16/98			
				chr	J.R.VOLSTROF	6/16/98			
				appd	J.R.VOLSTROF	6/16/98			
sheet index	revision sheet	E	1						type CUSTOMER Drawing