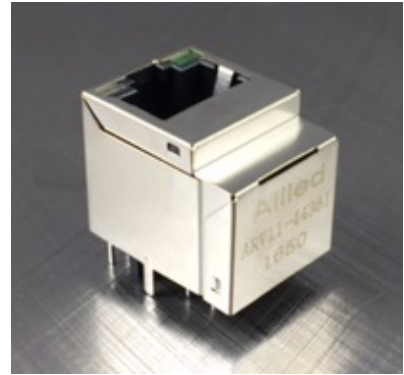




SINGLE PORT VERTICAL MOUNT RJ45

ARV11-4436I

- 10/100/1000 Gigabit Base-T
- Compliant to IEEE802.3
- Industrial Operating Temp: -40°C to +85°C
- Designed to support applications such as SOHO(ADSL Modems), LAN-on-Motherboard (LOM), Hub, and Switches.



Electrical Specifications @ 25°C

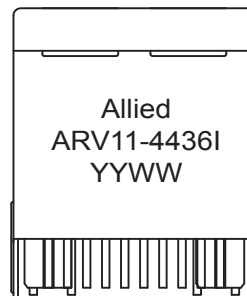
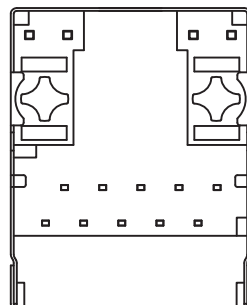
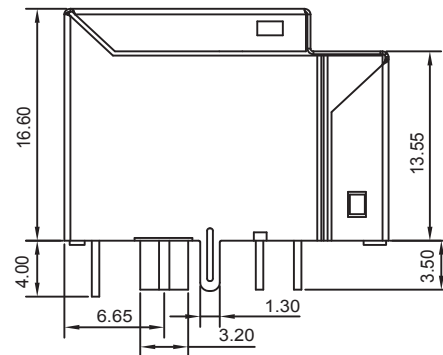
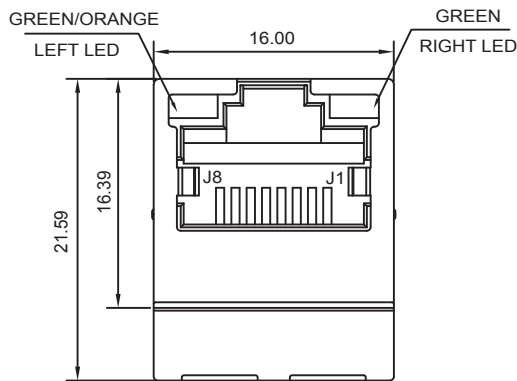
Part Number	OCL(μH Min) @ 100KHz, 0.1V With 8mA DC Bias	Turns Ratio (±3%)	Return Loss (dB Min)			
			1-40MHz	60MHz	80MHz	100MHz
ARV11-4436I	350	1CT:1CT	-18	-14	-12	-10

Electrical Specifications @ 25°C

Cross Talk (dB Typ)	Insertion Loss (dB Max)	CMR (dB Min)			HI-POT 1500Vrms
1-100MHz	1-100MHz	0.1-30MHz	30-60MHz	60-100MHz	
-35	-1.1	-38	-35	-30	

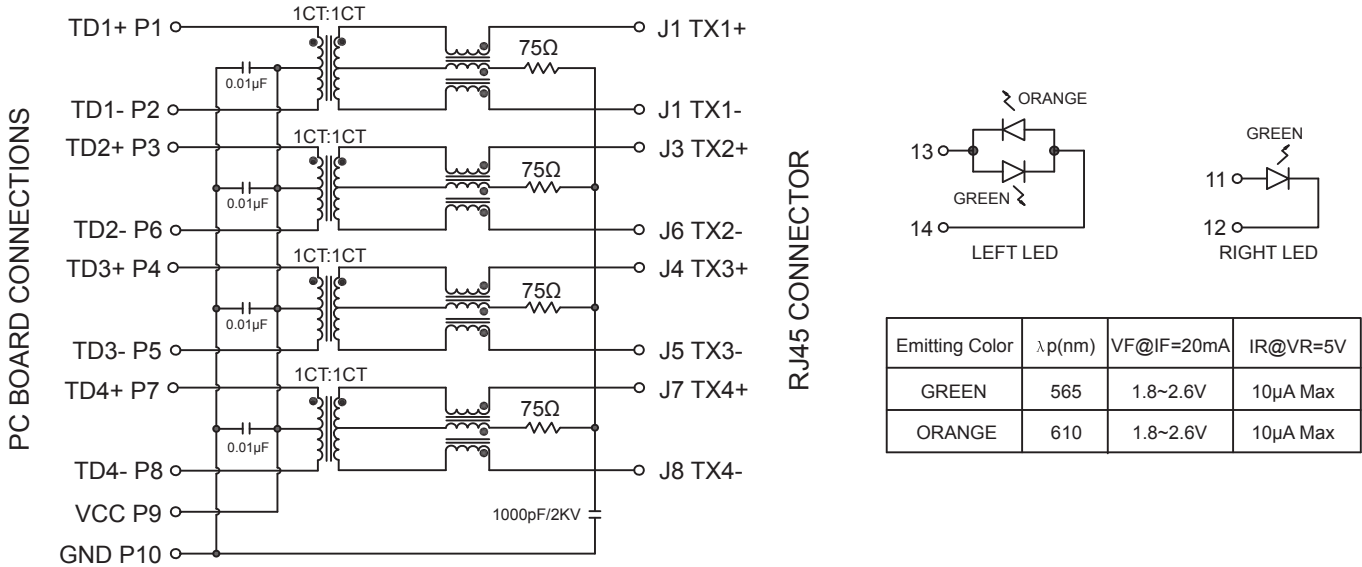
All specifications subject to change without notice.

MECHANICAL



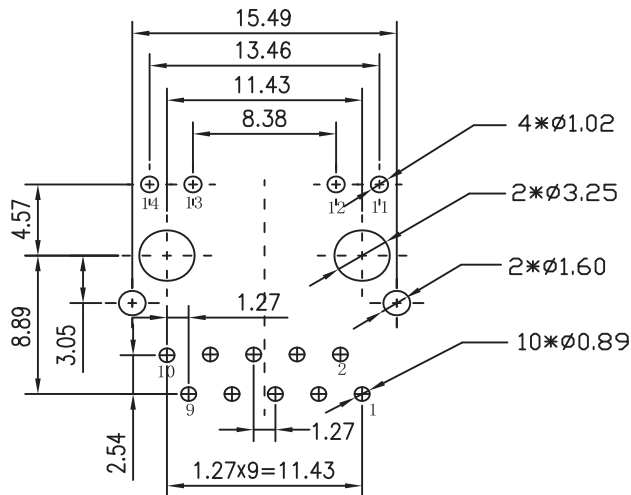


SCHEMATICS



Emitting Color	λ_p (nm)	VF@IF=20mA	IR@VR=5V
GREEN	565	1.8~2.6V	10µA Max
ORANGE	610	1.8~2.6V	10µA Max

PCB LAYOUT



NOTES

- Connector Materials:
 Housing Material: Thermoplastic PBT+30%G.F UL94V-0
 Contact Material: Phosphor Bronze C5210R-EH Thickness = 0.35mm
 Pins: Brass C2680R-H Thickness = 0.35mm
 Shield: Copper Alloy Brass H65Y Thickness = 0.2mm
 Contact Plating: Gold 6µ" min in contact area
- Wave solder tip temperature: 265°C Max, 5 Sec Max