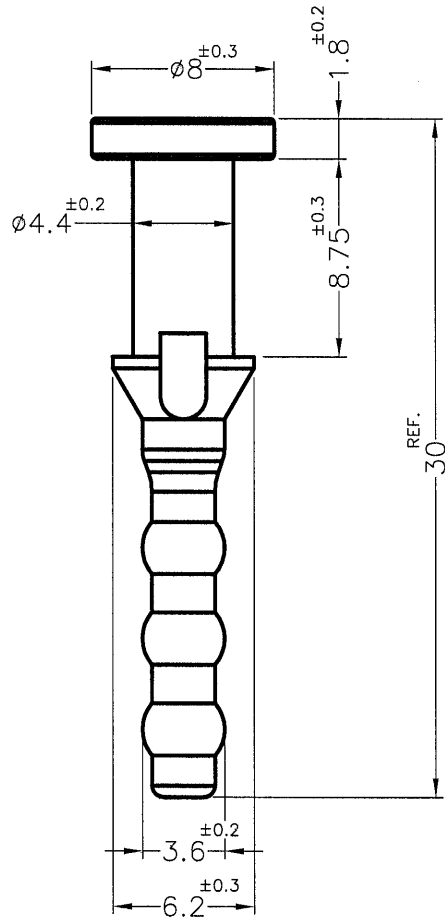
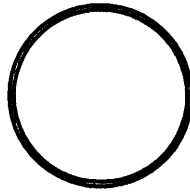





REVISIONS			
REV	DESCRIPTION	DATE	BY



MOUNTING HOLE: $\phi 4.4 \sim \phi 4.5 \text{mm}$

NOTE: MADE OF EQUIVALENT MATERIAL.
均可使用同等材質.

 <p>康揚企業股份有限公司 KANG YANG HARDWARE ENTERPRISE CO., LTD. 康揚塑膠(東莞)有限公司 KANG YANG PLASTIC(DONG GUAN) CO., LTD. 康哲電腦配件(吳江)有限公司 KANG CHE COMPUTER COMPONENTS(WUJIANG) CO., LTD.</p>				TITLE	FAN SNAP RIVET	SPEC. DWG	
				MATERIAL	TPE	DATE	2017.03.24
				HARDNESS	70° ± 10°	DRAWN	Wei
				COLOR	BLACK	CHECK	
PART NUMBER	DRAWING NUMBER		UNLESS OTHERWISE SPECIFIED TOLERANCE	APPROVED			
BUB-196GP7	BUB-196		SEE ABOVE				
SIZE	SCALE	UNIT	REV				
A4	3:1	mm	A				