

**MATERIALS AND FINISHES**

**BODY: BRASS**  
 PLATED: GOLD (8 μ-in MIN)  
 OVER NICKEL (80 μ-in MIN)

**CONTACT: BRASS**  
 PLATED: GOLD (30 μ-in MIN)  
 OVER NICKEL (100 μ-in MIN)

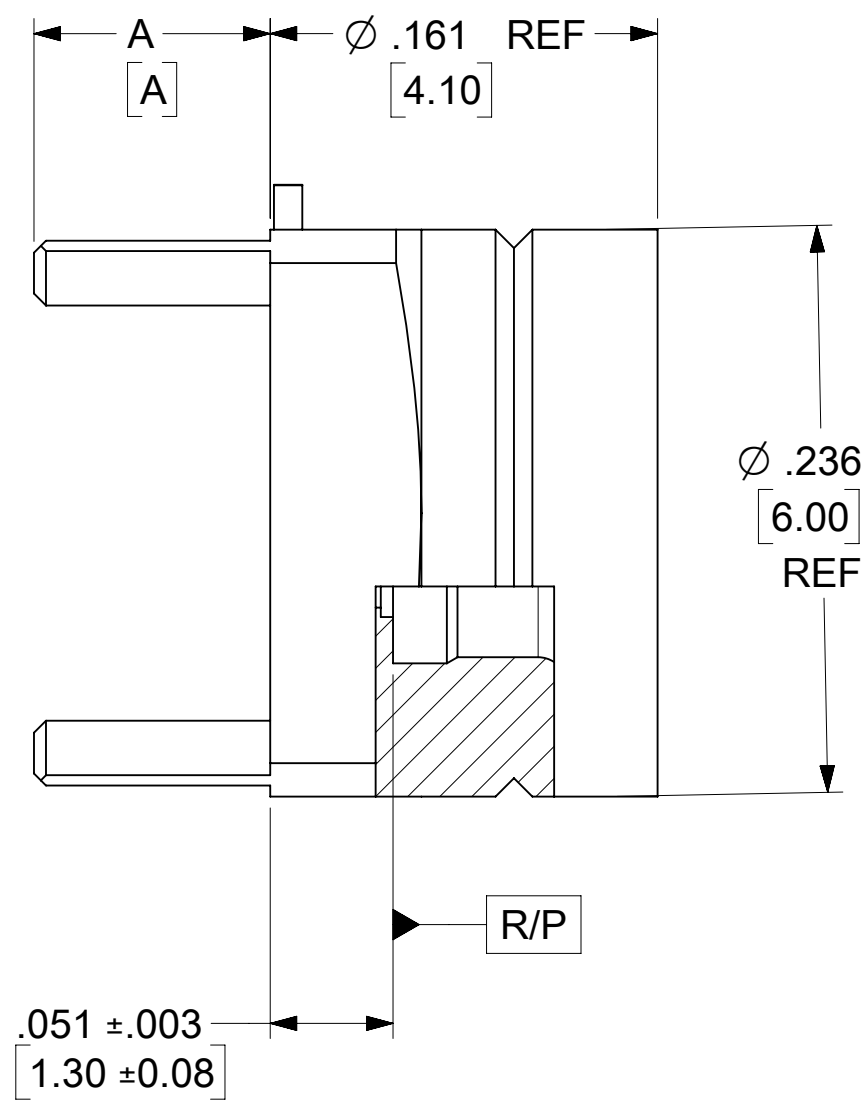
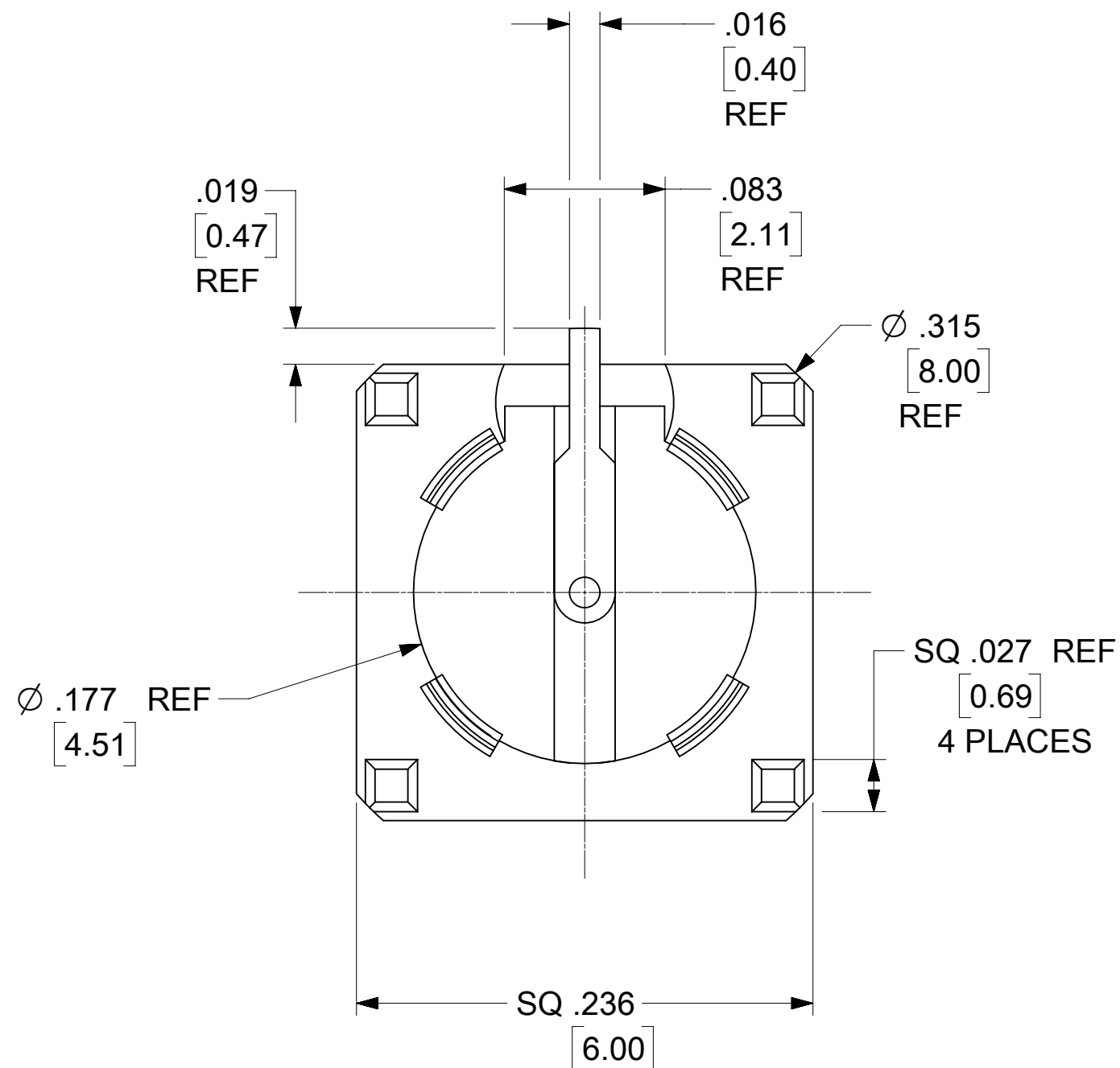
**INSULATOR: PEEK OR LCP**

**KAPTON TAPE DOT: POLYIMIDE FILM**  
 COLOR BLACK (ON -3318 ONLY)

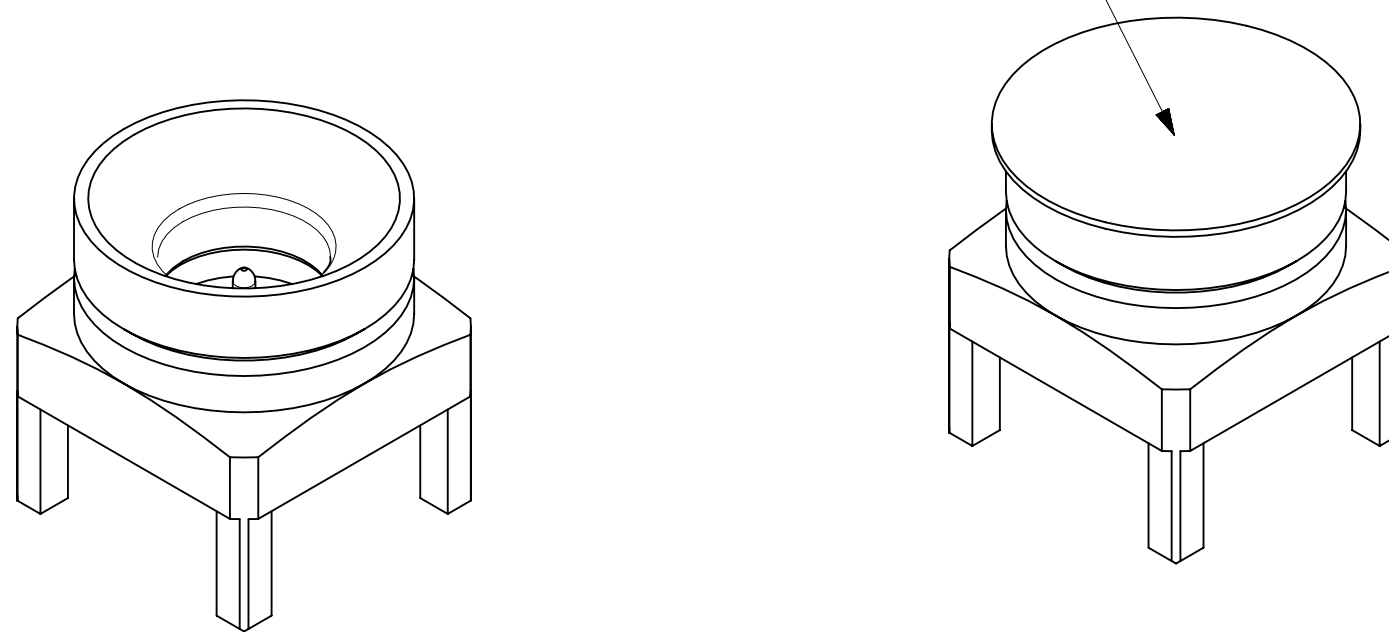
**LABEL FORMAT FOR 73415-3316**  
  
 PART NUMBER: 73415-3311  
 ORDER NUMER: 73415-3316  
 MOLEX  
 DATE: YYWW

**LABEL FORMAT FOR 73415-3317**  
  
 PART NUMBER: 73415-3313  
 ORDER NUMER: 73415-3317  
 MOLEX  
 DATE: YYWW

**LABEL FORMAT FOR 73415-3319**  
  
 PART NUMBER: 73415-3314  
 ORDER NUMER: 73415-3319  
 MOLEX  
 DATE: YYWW



**KAPTON ON 73415-3318 ONLY**



73415-3319	3.43 / .135	ONE PER BAG (73415-3314)	895420470
73415-3318	2.50 / .098	73415-3310 WITH KAPTON (750 PARTS PER REEL)	SEE SHEET 3 & 4
73415-3317	1.70 / .067	ONE PER BAG (73415-3313)	-----
73415-3316	2.50 / .098	ONE PER BAG (73415-3311)	895420510
73415-3315	3.43 / .135	TRAY (73415-3314)	895420040
73415-3314	3.43 / .135	TAPE & REEL (750 PARTS PER REEL)	SEE SHEET 3 & 4
73415-3313	1.70 / .067	TRAY (73415-3312)	-----
73415-3312	1.70 / .067	TAPE & REEL (750 PARTS PER REEL)	SEE SHEET 3 & 4
73415-3311	2.50 / .098	TRAY (73415-3310)	895420040
73415-3310	2.50 / .098	TAPE & REEL (750 PARTS PER REEL)	SEE SHEET 3 & 4
<b>PART NO.</b>	<b>DIM A (MM/IN)</b>	<b>PACKAGING DESCRIPTION</b>	<b>PACKING SPEC</b>

<b>PS-89675-3320</b>	<b>PRODUCT SPECIFICATION</b>
<b>MIL-STD-348, FIG. 326.3</b>	<b>INTERFACE</b>
<b>SPECIFICATION</b>	<b>DESCRIPTION</b>

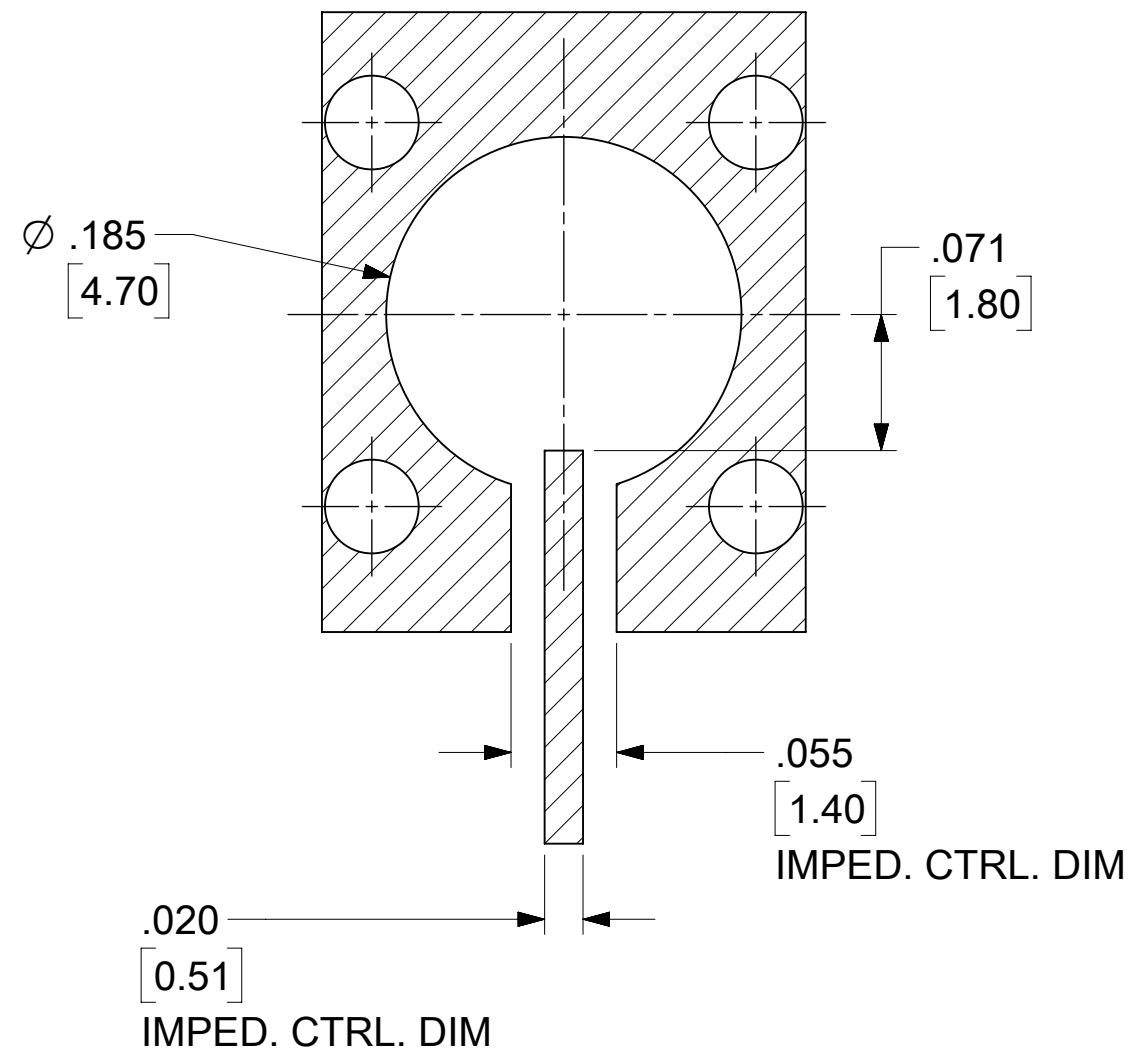
<b>DOCUMENT STATUS</b>	P1	<b>RELEASE DATE</b>	2022/08/25 04:24:38
------------------------	----	---------------------	---------------------

<b>FUNCTIONAL SYMBOLS</b> $\frac{F}{A} = 0$ $\frac{F}{C} = 0$ $\frac{F}{P} = 0$	THIS DRAWING CONTAINS INFORMATION THAT IS PROPRIETARY TO MOLEX ELECTRONIC TECHNOLOGIES, LLC AND SHOULD NOT BE USED WITHOUT WRITTEN PERMISSION		CURRENT REV DESC: ADD P/N 73415-3319 FOR SMALL PACK PER EWR15321-D		
	DIMENSION UNITS <b>INCH/MM</b>	SCALE <b>NTS</b>	EC NO: 718862 DRWN: CWEI02 2022/08/22 CHK'D: YCHENG 2022/08/25 APPR: YCHENG 2022/08/25		
<b>DIVISIONAL SYMBOLS</b>	GENERAL TOLERANCES (UNLESS SPECIFIED)		INITIAL REVISION: DRWN: JMASTRIANO 2005/12/09 APPR: JWIENER 2005/12/09		
	4 PLACES	±	MM	±	DOCUMENT NUMBER <b>SD-73415-331</b> DOC TYPE PSD DOC PART 001 REVISION C12
	3 PLACES	±	INCH	± 0.01	
	2 PLACES	±	MM	± 0.25	
1 PLACE	±	INCH	±		
ANGULAR TOL ± 2.0 °		DRAFT WHERE APPLICABLE MUST REMAIN WITHIN DIMENSIONS		THIRD ANGLE PROJECTION 	DRAWING <b>C-SIZE</b>
MATERIAL NUMBER SEE TABLE		CUSTOMER SEE TABLE		SERIES <b>73415</b>	SHEET NUMBER 1 OF 4

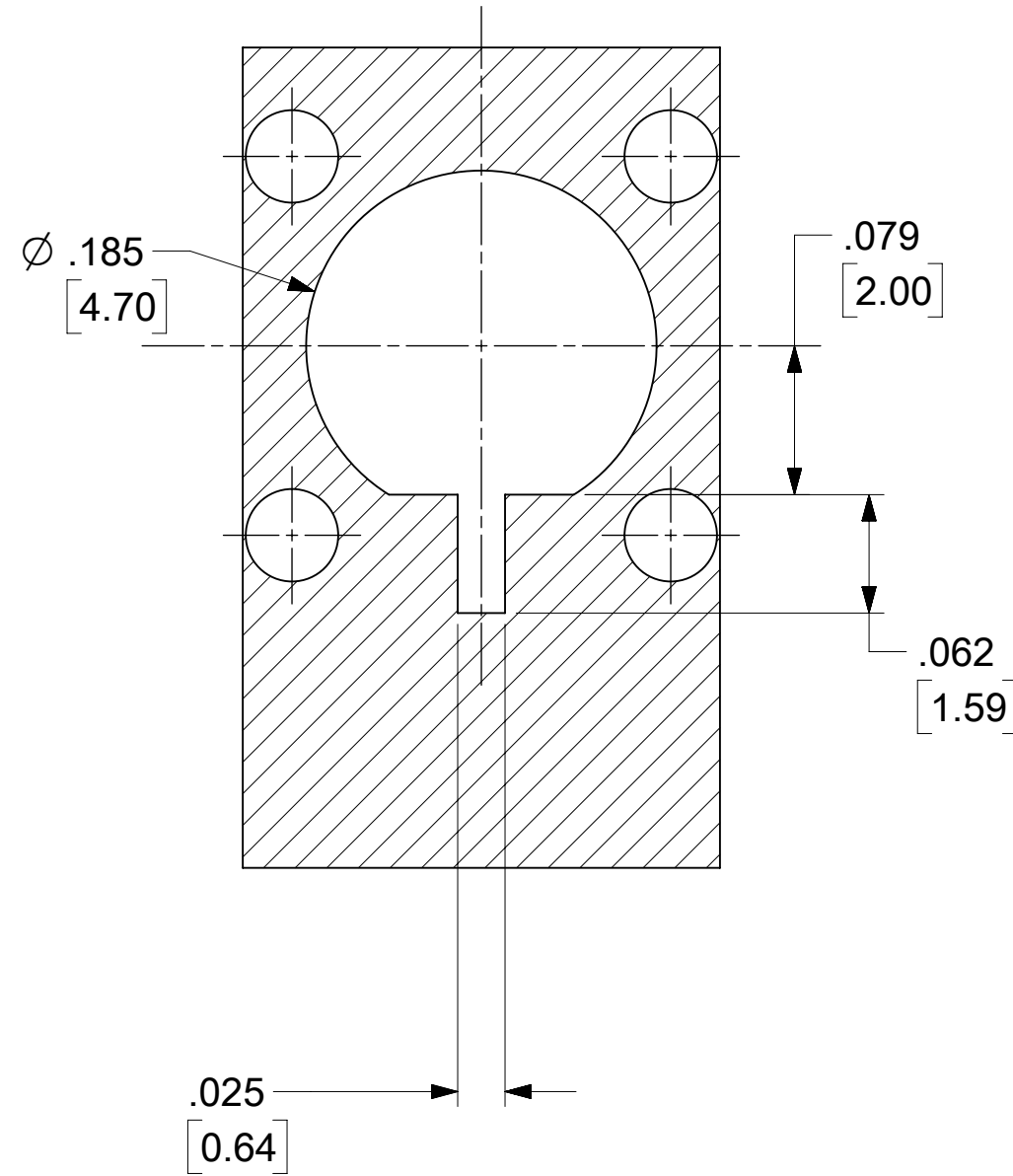
# PCB CONNECTOR LAUNCH / PAD (FOR REFERENCE ONLY)

ALL HATCHED SURFACES SHOWN BELOW ARE COPPER (Cu)

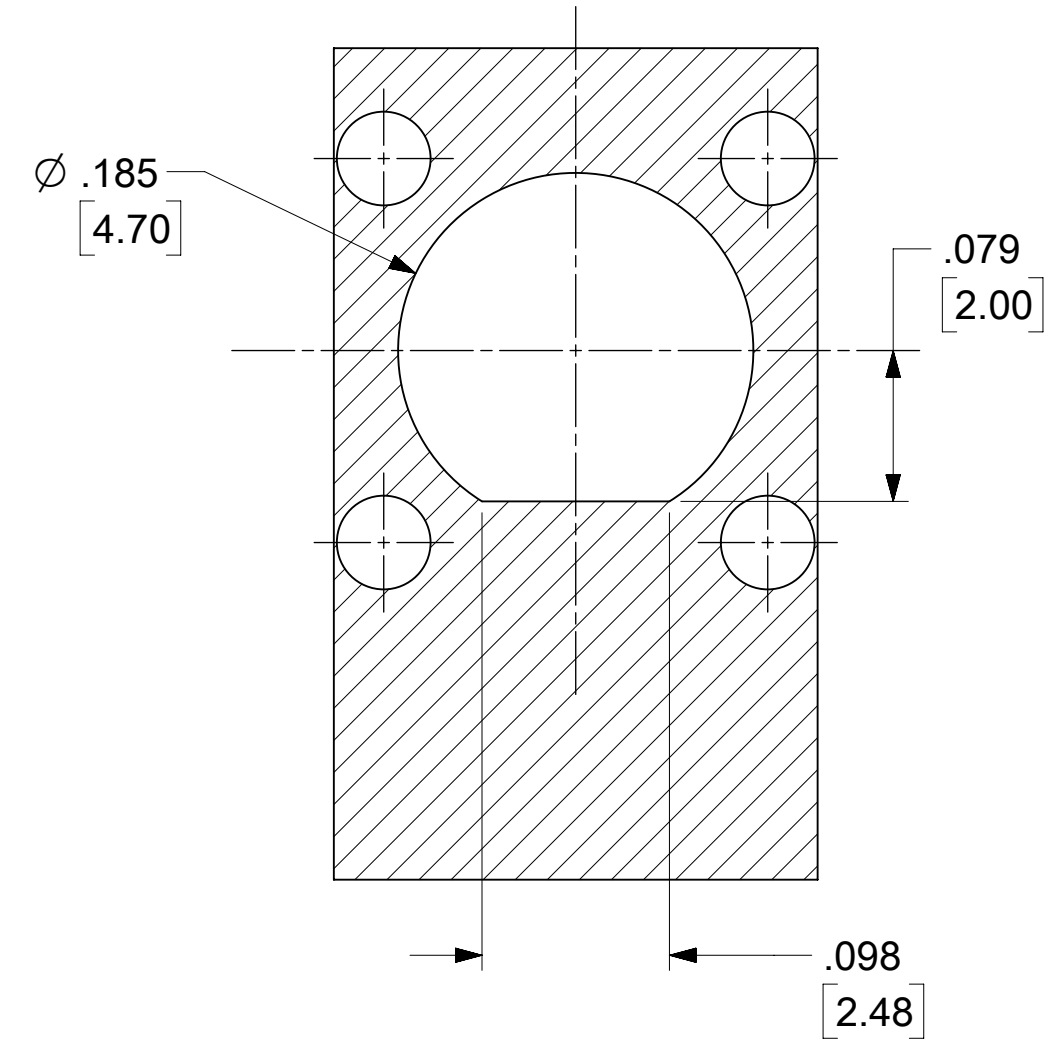
MOUNTING LAYER  
(LAYER 1)



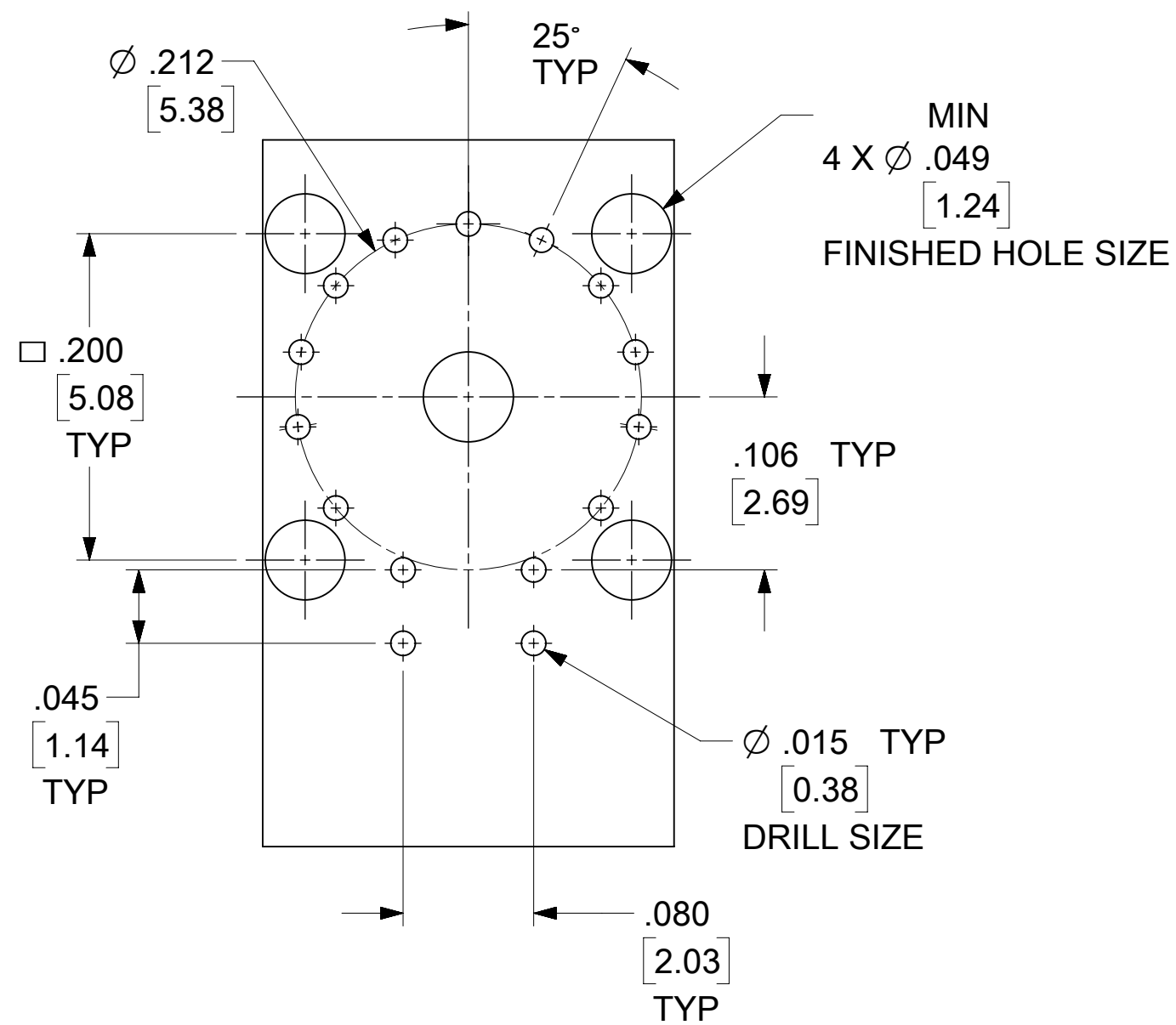
REFERENCE LAYER  
(LAYER 2)



SUBSEQUENT LAYERS  
(LAYER 3 AND SUBSEQUENT)



VIAS AND PLATED MOUNTING HOLES



PCB STACK UP

LAYER	MATERIAL	Dk	THICKNESS (mil)
1	Cu + PLATING		2.1
	RO4350	3.66	10
2	Cu		0.7
	RO4350	3.66	10
3*	Cu		0.7

\* SUBSEQUENT LAYERS MAY BE ADDED AS REQUIRED FOR INDIVIDUAL APPLICATIONS

TYPICAL PERFORMANCE CHARACTERISTICS WITH CONNECTOR AND PCB LAUNCH SHOWN

TYPICAL RETURN LOSS	FREQUENCY BAND
20dB	DC TO 18GHz

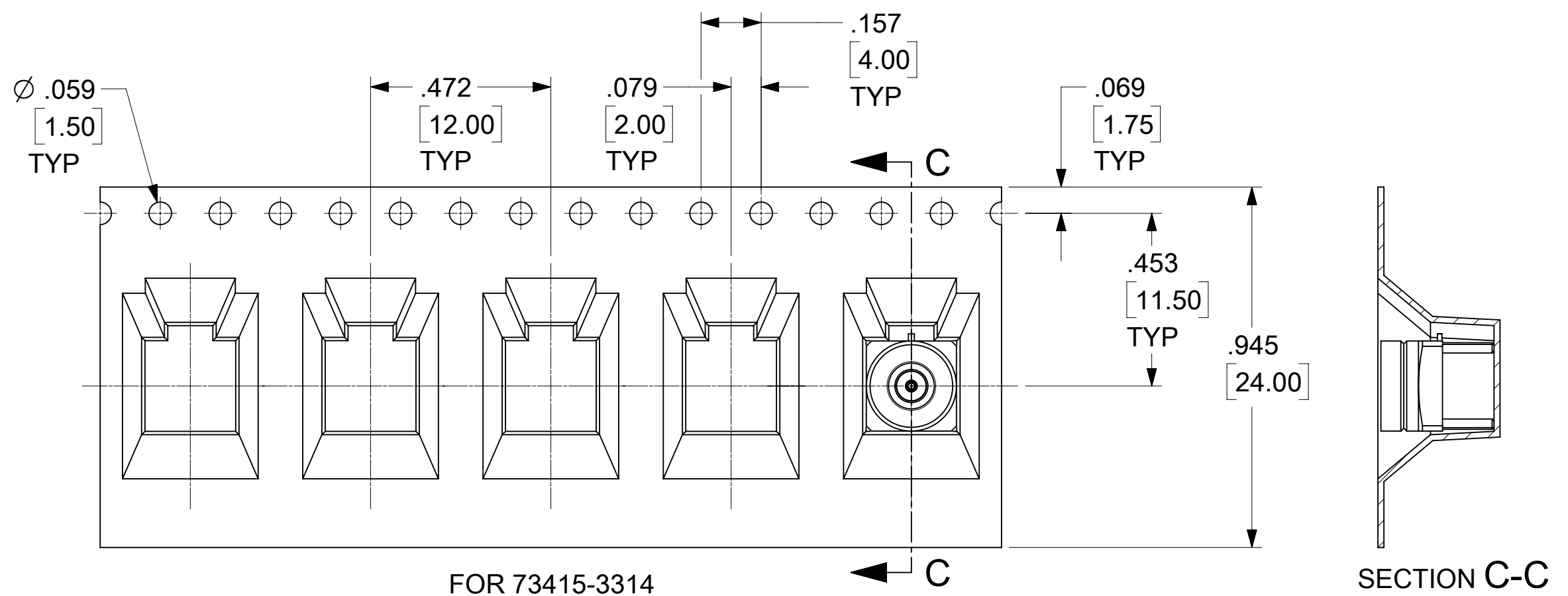
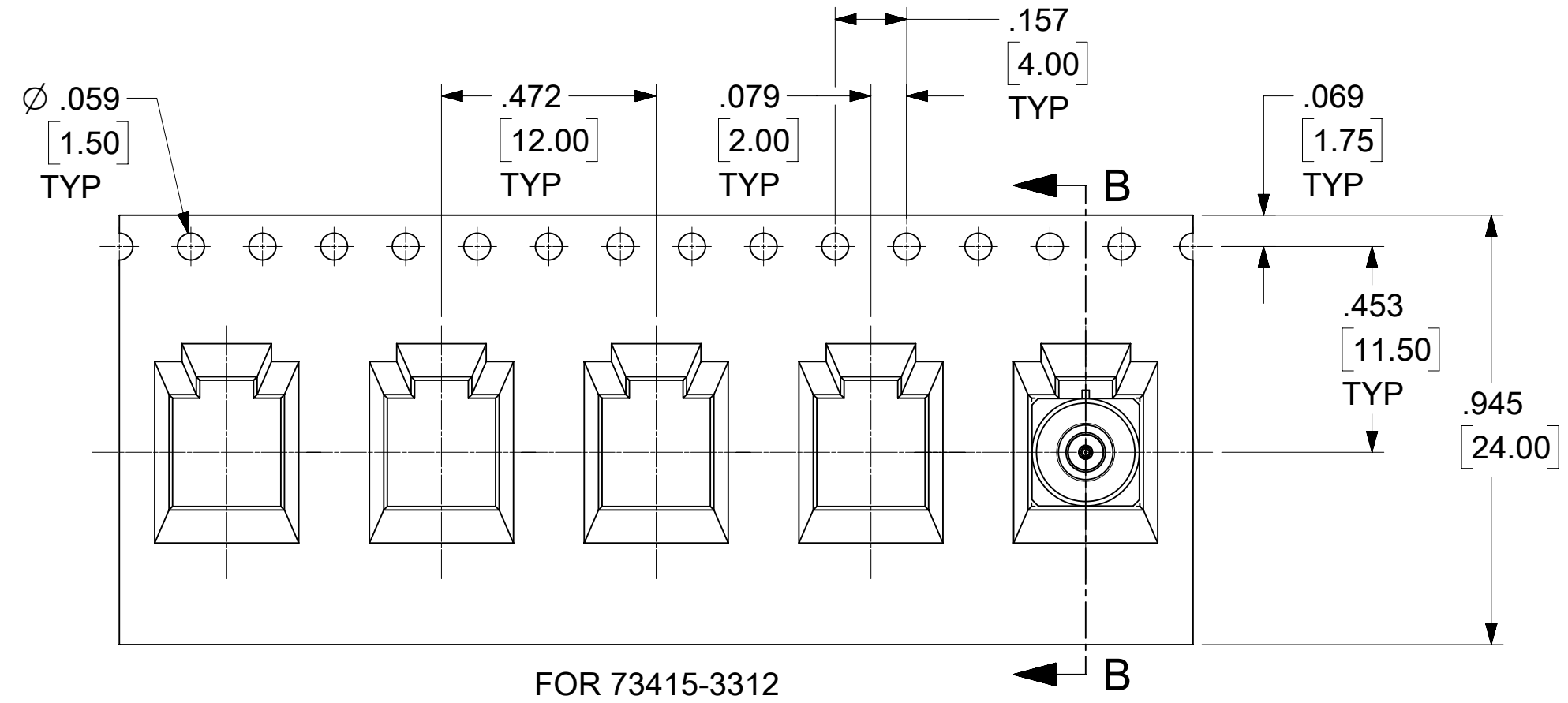
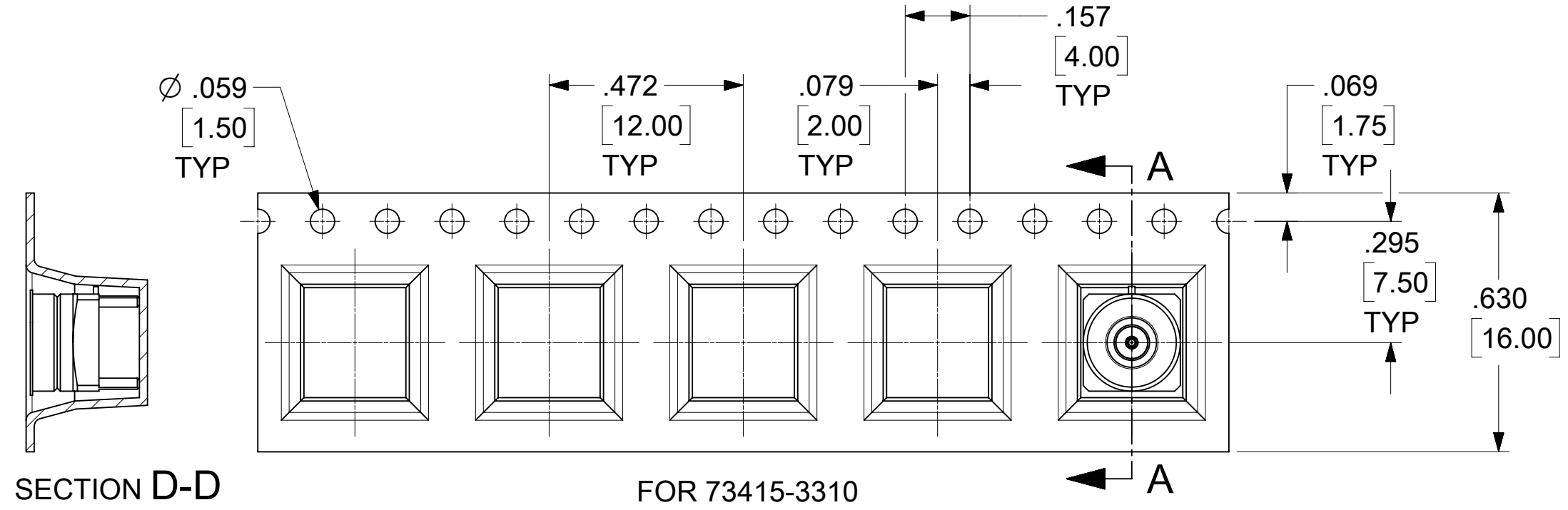
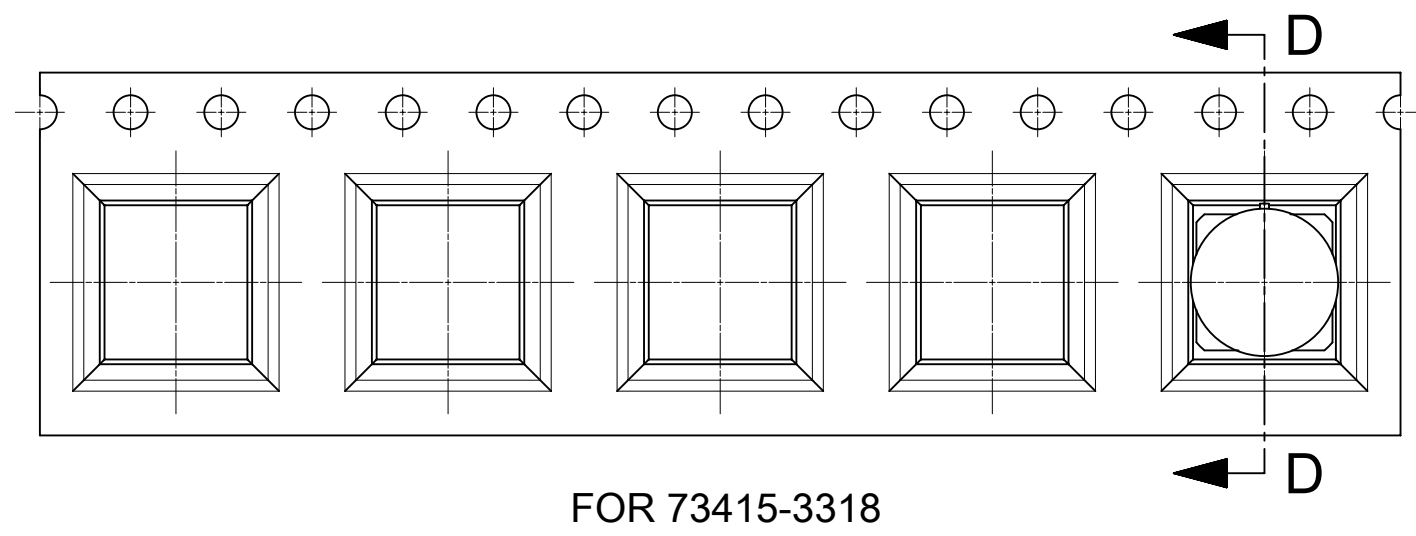
VARYING PCB STACKUPS AND PCB LAUNCH WILL RESULT IN VARYING RESULTS

CONTACT MOLEX RF / MICROWAVE FOR APPLICATION SPECIFIC ASSISTANCE

FUNCTIONAL SYMBOLS	THIS DRAWING CONTAINS INFORMATION THAT IS PROPRIETARY TO MOLEX ELECTRONIC TECHNOLOGIES, LLC AND SHOULD NOT BE USED WITHOUT WRITTEN PERMISSION		CURRENT REV DESC: ADD P/N 73415-3319 FOR SMALL PACK PER EWR15321-D																							
	$\frac{F}{A} = 0$ $\frac{F}{C} = 0$ $\frac{F}{P} = 0$	DIMENSION UNITS <b>INCH/MM</b>							SCALE <b>NTS</b>	EC NO: 718862 DRWN: CWEI02 CHK'D: YCHENG APPR: YCHENG																
DIVISIONAL SYMBOLS	GENERAL TOLERANCES (UNLESS SPECIFIED)		INITIAL REVISION:		DOCUMENT NUMBER																					
	<table border="1"> <thead> <tr> <th></th> <th>MM</th> <th>INCH</th> </tr> </thead> <tbody> <tr> <td>4 PLACES</td> <td>±</td> <td>±</td> </tr> <tr> <td>3 PLACES</td> <td>±</td> <td>± 0.01</td> </tr> <tr> <td>2 PLACES</td> <td>± 0.25</td> <td>±</td> </tr> <tr> <td>1 PLACE</td> <td>±</td> <td>±</td> </tr> <tr> <td>0 PLACES</td> <td>±</td> <td>±</td> </tr> </tbody> </table>			MM	INCH	4 PLACES	±	±	3 PLACES	±	± 0.01	2 PLACES	± 0.25	±	1 PLACE	±	±	0 PLACES	±	±	DRWN: JMASTRIANO APPR: JWIENER		2022/08/22 2022/08/25 2022/08/25		SD-73415-331	
		MM	INCH																							
	4 PLACES	±	±																							
3 PLACES	±	± 0.01																								
2 PLACES	± 0.25	±																								
1 PLACE	±	±																								
0 PLACES	±	±																								
ANGULAR TOL ± 2.0 °		DRAFT WHERE APPLICABLE MUST REMAIN WITHIN DIMENSIONS		THIRD ANGLE PROJECTION		DRAWING		SERIES																		
						C-SIZE		73415																		

DOC TYPE	DOC PART	REVISION
PSD	001	C12

NOTE  
 1. 10 PIECES CUMULATIVE TOLERANCE ±0.20[.008]



FUNCTIONAL SYMBOLS	THIS DRAWING CONTAINS INFORMATION THAT IS PROPRIETARY TO MOLEX ELECTRONIC TECHNOLOGIES, LLC AND SHOULD NOT BE USED WITHOUT WRITTEN PERMISSION									
	DIMENSION UNITS		SCALE		CURRENT REV DESC: ADD P/N 73415-3319 FOR SMALL PACK PER EWR15321-D					
$\frac{F}{A} = 0$	INCH/MM		NTS		EC NO: 718862 DRWN: CWEI02 2022/08/22 CHK'D: YCHENG 2022/08/25 APPR: YCHENG 2022/08/25					
$\frac{F}{C} = 0$	GENERAL TOLERANCES (UNLESS SPECIFIED)									
$\frac{F}{P} = 0$	4 PLACES		±	±	INITIAL REVISION: DRWN: JMASTRIANO 2005/12/09 APPR: JWIENER 2005/12/09					
DIVISIONAL SYMBOLS		3 PLACES		±						
		2 PLACES		±	0.25	±				
		1 PLACE		±	±					
		0 PLACES		±	±					
		ANGULAR TOL		±	2.0°					
		DRAFT WHERE APPLICABLE MUST REMAIN WITHIN DIMENSIONS		THIRD ANGLE PROJECTION		DRAWING		SERIES		
				C-SIZE		73415		MATERIAL NUMBER		
								CUSTOMER		
								SHEET NUMBER		
								3 OF 4		

**molex**

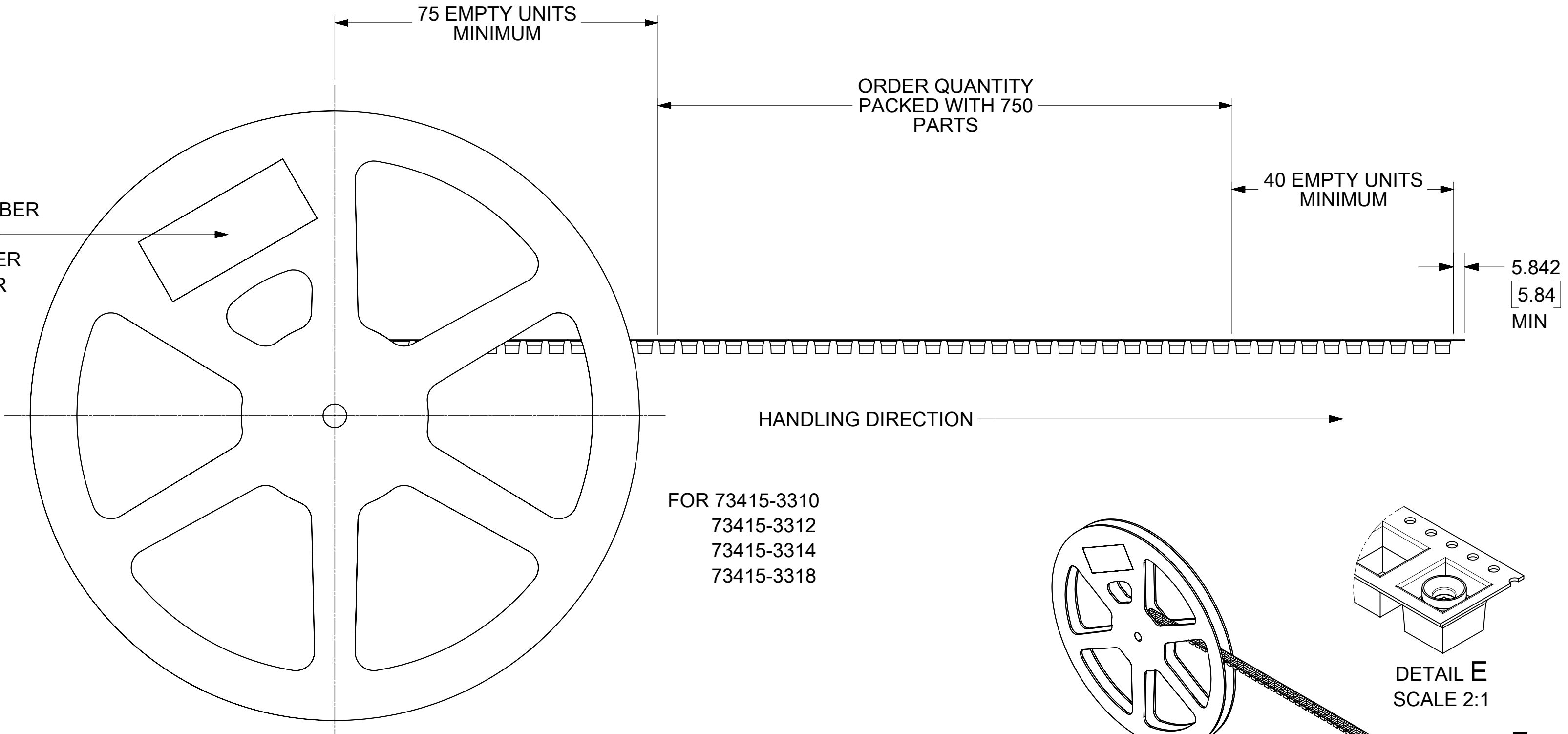
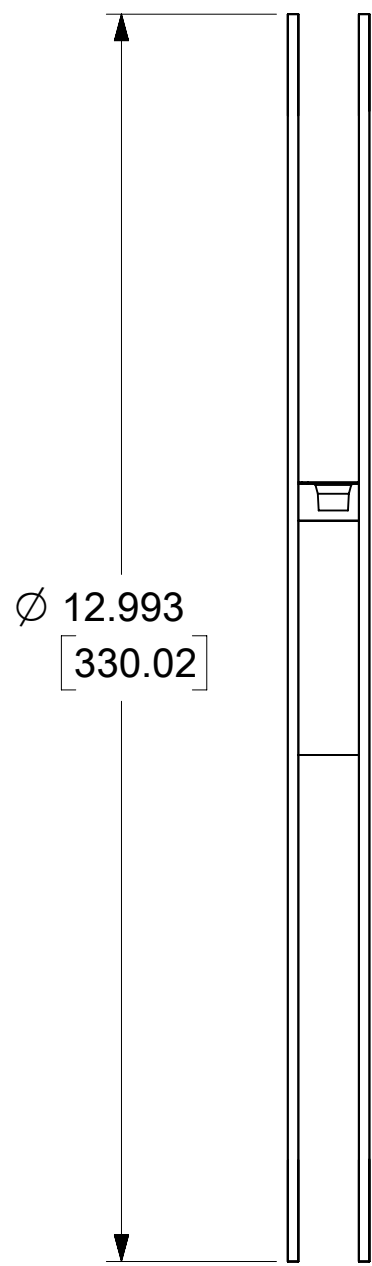
SMP PLUG STRAIGHT PCB  
 LIMITED DETENT, EWR-1359 SMP-P/PCB

PRODUCT CUSTOMER DRAWING

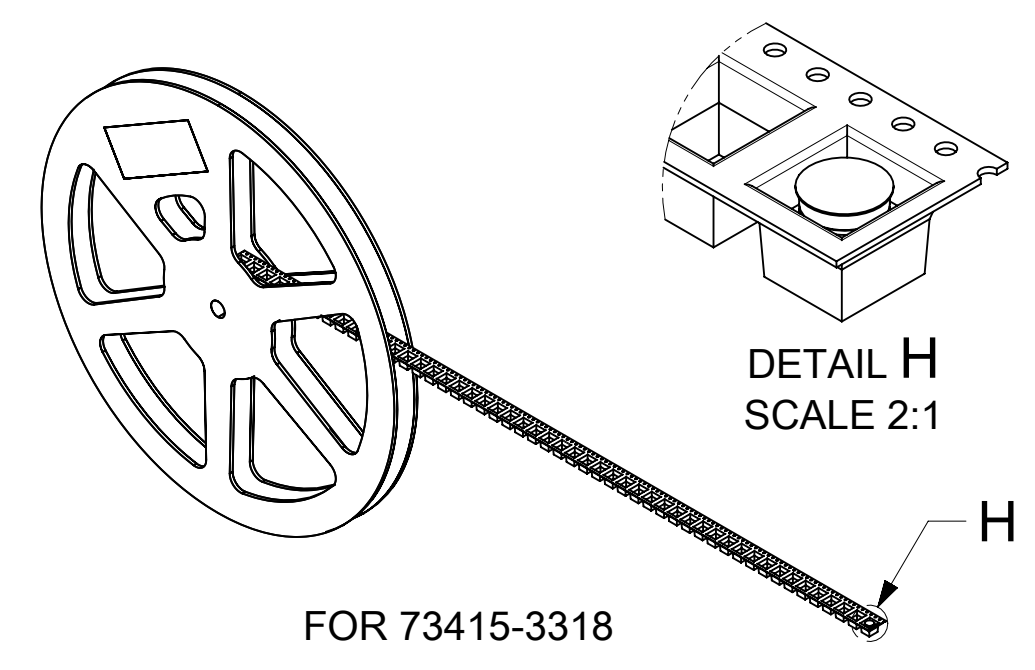
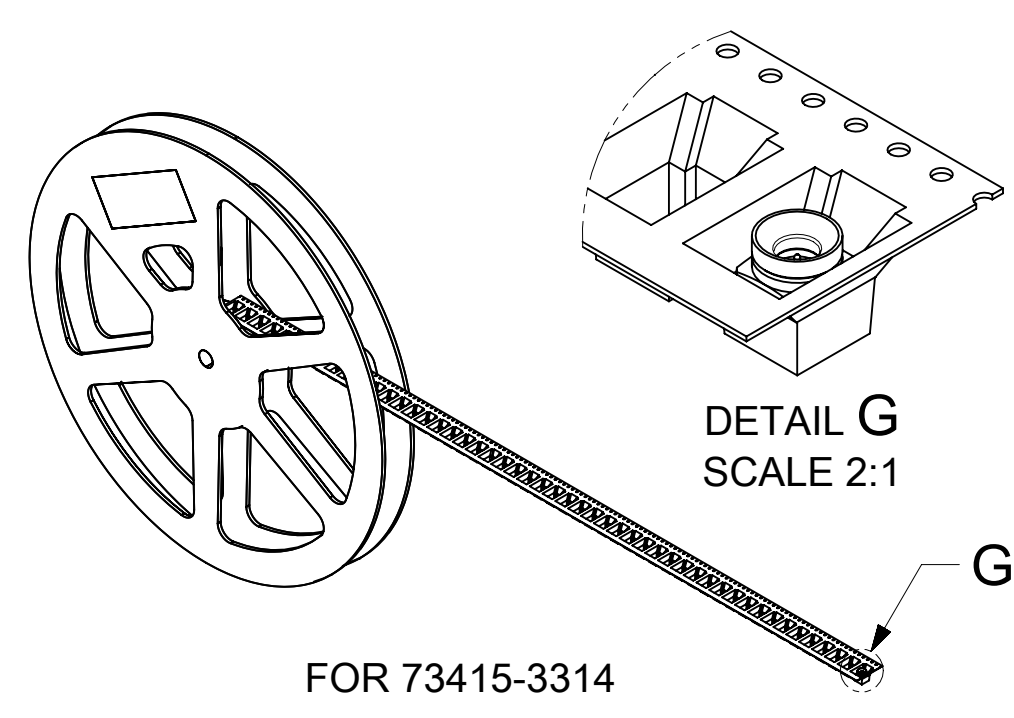
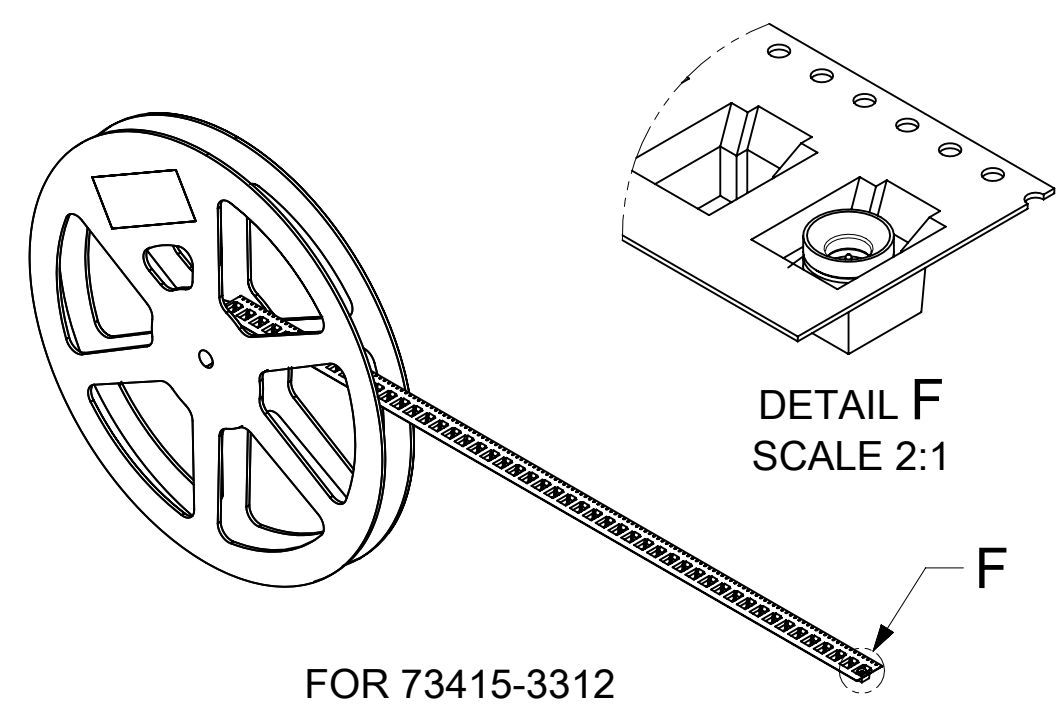
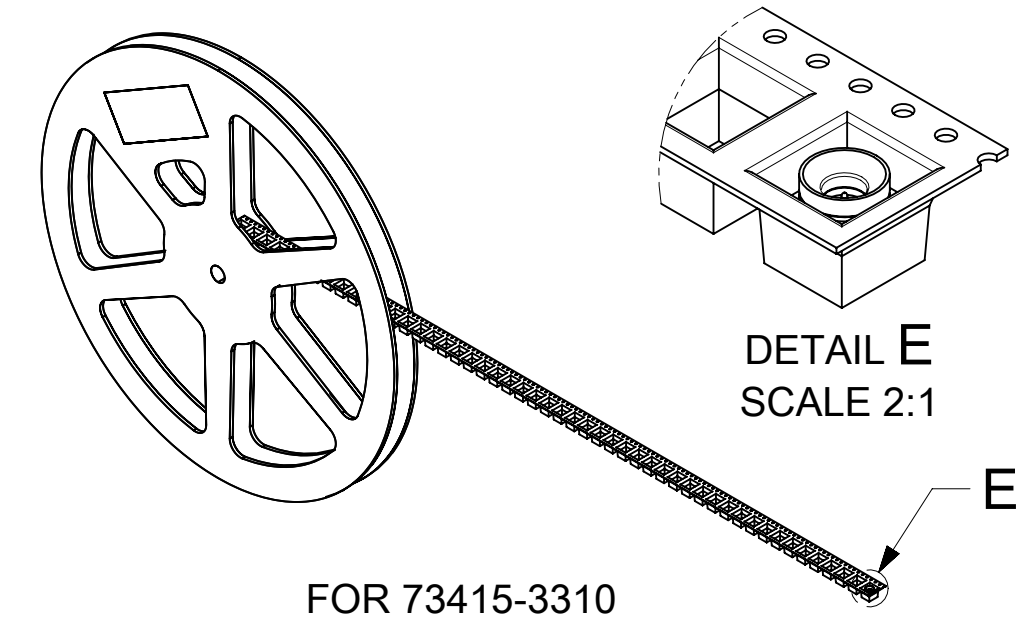
DOCUMENT NUMBER  
**SD-73415-331**

DOC TYPE DOC PART REVISION  
**PSD 001 C12**

LABEL:  
 -ORDER NUMBER  
 -QUANTITY  
 -PART NUMBER  
 -LOT NUMBER



FOR 73415-3310  
 73415-3312  
 73415-3314  
 73415-3318



FUNCTIONAL SYMBOLS $\frac{F}{A} = 0$ $\frac{F}{C} = 0$ $\frac{F}{P} = 0$ DIVISIONAL SYMBOLS	THIS DRAWING CONTAINS INFORMATION THAT IS PROPRIETARY TO MOLEX ELECTRONIC TECHNOLOGIES, LLC AND SHOULD NOT BE USED WITHOUT WRITTEN PERMISSION											
	DIMENSION UNITS		SCALE		CURRENT REV DESC: ADD P/N 73415-3319 FOR SMALL PACK PER EWR15321-D							
	INCH/MM		NTS									
	GENERAL TOLERANCES (UNLESS SPECIFIED)										EC NO: 718862	
4 PLACES		±				DRWN: CWEI02		2022/08/22		SMP PLUG STRAIGHT PCB LIMITED DETENT, EWR-1359 SMP-P/PCB		
3 PLACES		±		± 0.01		CHK'D: YCHENG		2022/08/25				
2 PLACES		±	0.25			APPR: YCHENG		2022/08/25		PRODUCT CUSTOMER DRAWING		
1 PLACE		±				INITIAL REVISION:				DOCUMENT NUMBER		
0 PLACES		±				DRWN: JMASTRIANO		2005/12/09		SD-73415-331		
ANGULAR TOL		±	2.0 °			APPR: JWIENER		2005/12/09		DOC TYPE   DOC PART   REVISION		
DRAFT WHERE APPLICABLE MUST REMAIN WITHIN DIMENSIONS				THIRD ANGLE PROJECTION		DRAWING		SERIES		MATERIAL NUMBER		
						C-SIZE		73415		CUSTOMER		
										SEE TABLE		
										SHEET NUMBER		
										4 OF 4		

DOCUMENT STATUS	P1	RELEASE DATE	2022/08/25	04:24:38
-----------------	----	--------------	------------	----------