



MADE IN THE USA

Product Description:

- Kit Includes:
 - RS002-0212 Respiratory Hygiene Station - Locking
 - Holds two boxes of masks and one - two boxes of facial tissues or one box of gloves
 - Hinged locking lid
 - Keyholes for wall mounting
 - Quartz Beige ABS Plastic
 - MP-070 Sign Holder - Vertical
 - Holds 8.5" x 11" signage
 - Clear PETG Plastic
- Assembly hardware included

Primary Area for Product Usage:

- Anywhere respiratory hygiene products are needed

Dispenses:

- Left: Box(es) no larger than 7.75"W x 4.00"H x 4.75"D (19.7 cm x 10.2 cm x 12.1 cm)
- Right: Box(es) no larger than 5.50"W x 10.00"H x 4.75"D (14.0 cm x 25.4 cm x 12.1 cm)

Product Specifications (overall assembled dimensions):

- 13.80"W x 24.08"H x 5.47"D (35.1 cm x 61.2 cm x 13.9 cm)
- 3.1 lbs (1.4 kg) - approximated

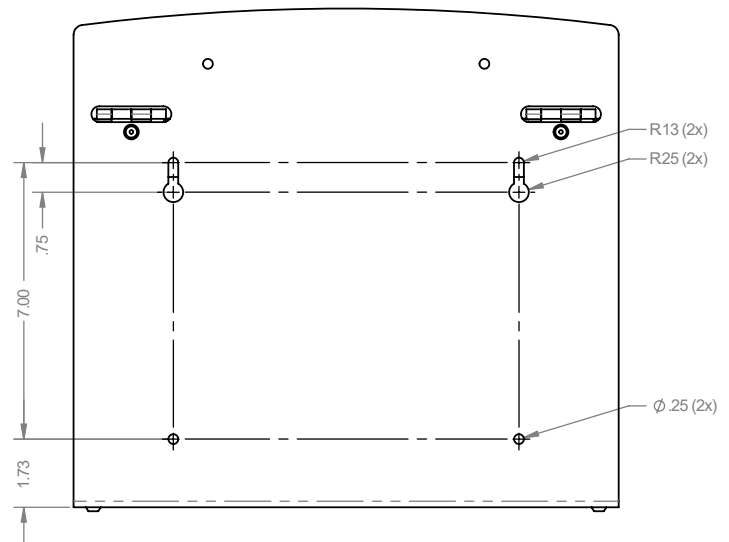
Package Specifications:

- Package Quantity: 1 per case
- 21"L x 14"W x 10"H (53.0 cm x 35.6 cm x 25.4 cm)
- 6.0 lbs (2.7 kg) - approximated



Face masks, and tissues not included

Mounting Specifications:

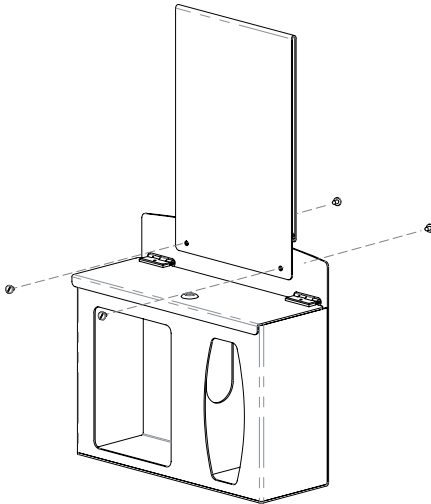




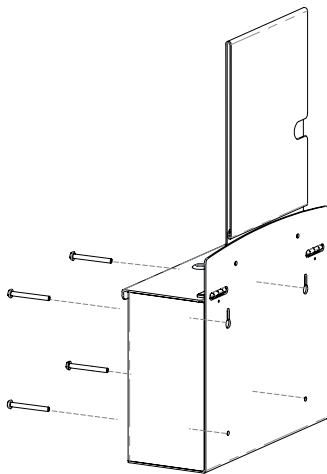
Installation

Always mount dispensers securely *prior* to loading with product.

- To mount the MP-070 Sign Holder, align the mounting holes of the holder with the holes on the top front of the dispenser.
- Attach using (2x) barrel screws included with sign holder.



- Mount securely to a wall with screws approved and supplied by building maintenance.
- Visit www.BowmanDispensers.com for free downloadable signs to indicate injector recipients.



Parts included:

- Hygiene Station
- Sign Holder
- Hardware: (2x) keys
- (2x) barrel screws

Tools Required:

- Flathead screwdriver

Care and Construction

ABS Plastic

Material Characteristics

Designed for Long-Term, Heavy-Duty Applications

The combination of copolymers (Acrylonitrile, Butadiene, and Styrene) gives ABS an excellent combination of strength, rigidity, and toughness.

ABS is chemical, stress-crack resistant, dimensionally stable, and will hold up to long-term use. It possesses high strength and performance characteristics at a reasonable cost.

Care and Cleaning

Use mild soap and water to clean. Petroleum-based oils, solvents, and paints should not be used.

Standard hospital cleaning supplies are approved for use on our ABS plastic products.

PETG Plastic

Material Characteristics

Designed for Long-Term, Heavy-Duty Applications

Copolyester resin is designed for heavy-duty applications, and is used by BOWMAN® Dispensers. We never use acrylic in our products.

Copolyester (PETG) is typically 15-20 times tougher than general purpose acrylic. PETG is made to withstand handling and reduce losses due to breakage.

PETG resists a variety of chemicals and commonly used cleaning agents. It is tough and durable (not brittle), providing years of trouble-free functionality and long life.

Clear optical characteristics mean the viewer can see the content, read text, and see true colors through the material. It complies with FDA regulations for food contact.

Care and Cleaning

Most cleaning chemicals do not weaken the surface or cause damage to the material. Suggested cleaning method is to use a soft cloth, warm water, and mild soap.