

SCHEMATIC
 THREE PHASE OPEN DELTA AND SINGLE
 PHASE SERIES. FUSE RECOMMENDED BUT
 NOT SUPPLIED

SCHEMATIC
 SINGLE PHASE PARALLEL
 FUSE RECOMMENDED BUT NOT SUPPLIED

NOTE:
 UNIT IS SUPPLIED WITH A 7.00 [177.8] DIA.
 0-100 GRADUATED DIAL PLATE FOR PANEL MOUNTING.

OPTIONAL TERMINALS FOR PUSH
 ON OR SOLDER CONNECTIONS
 (.032 X .250) [0.8 X 6.4]

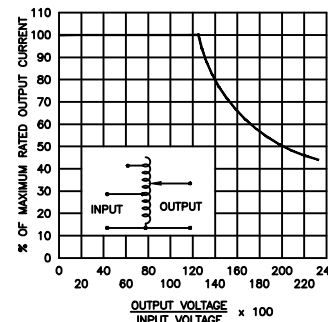
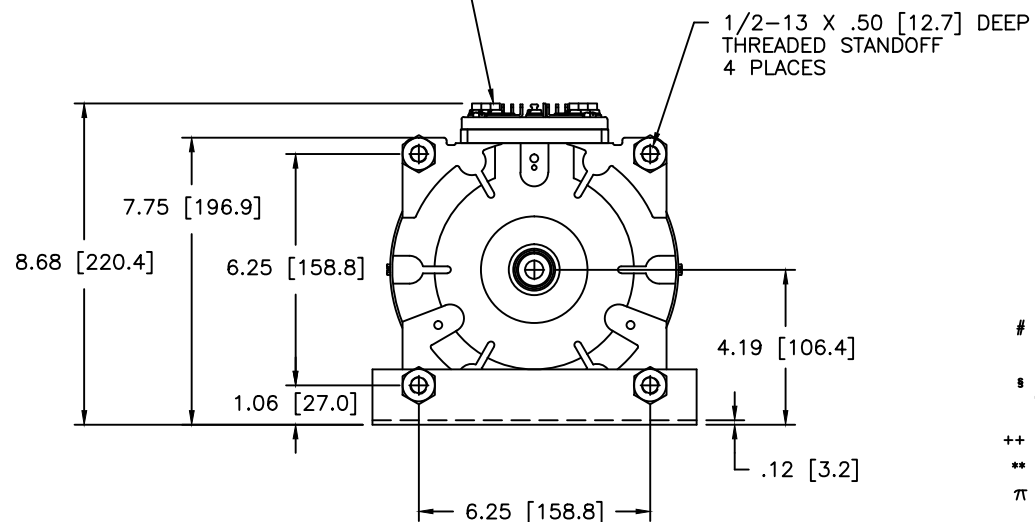


FIGURE A
 MAXIMUM OUTPUT CURRENT OF ANY
 DUAL INPUT VOLTAGE OR VOLTAGE DOUBLER
 UNIT OPERATED AT LOWER INPUT VOLTAGE.

MAXIMUM OUTPUT CURRENT IN OUTPUT VOLTAGE RANGE FROM 0 TO 25% ABOVE
 LINE VOLTAGE. AT HIGHER OUTPUT VOLTAGES, THE OUTPUT CURRENT MUST BE
 REDUCED ACCORDING TO THE DERATING CURVE FIGURE A.

§ MAXIMUM KVA AT MAXIMUM OUTPUT VOLTAGE AND CORRESPONDING DERATED
 OUTPUT CURRENT. MAXIMUM KVA FOR LOWER VOLTAGES MAY BE CALCULATED
 FROM DERATING CURVE FIGURE A.

++ LINE TO LINE VOLTAGE.

** REQUIRES ONE 52LAC PARALLELING CHOKE (NOT SUPPLIED).

† IF GANGED UNITS ARE USED IN A SYSTEM THAT ORDINARILY HAS A COMMON
 NEUTRAL OR GROUND BETWEEN SOURCE AND LOAD, THE NEUTRAL OR GROUND
 MUST BE CONNECTED TO THE COMMON TERMINALS OF THE VARIABLE TRANSFORMER
 ASSEMBLY. IF THE SYSTEM HAS NO NEUTRAL, THE LOAD MUST BE BALANCED OR
 THE TRANSFORMER WILL BE DAMAGED.

■ JUMPER PROVIDED IN STANDARD COMMON POSITION AND SHOULD BE MOVED OR
 REMOVED AS REQUIRED.

SPECIFICATIONS											
WIRING	INPUT		OUTPUT				SHAFT ROTATION TO INCREASE VOLTAGE	TERMINAL CONNECTIONS			
	VOLTS	HERTZ	VOLTS	CONSTANT CURRENT LOAD		CONSTANT IMPEDANCE LOAD		FOR INCREASING VOLTAGE AS VOLTAGE FROM BASE END ■			
				MAX. AMPS	MAX. KVA	MAX. AMPS		MAX. KVA	INPUT	JUMPER	OUTPUT
SINGLE PHASE PARALLEL **	240	50/60	0-240	20	4.80	26	6.20	CW	2-2,4-4	---	4-B
			0-280	20	5.60	---	---	CCW	2-2,4-4	---	2-B
	120	50/60	0-280	20#	2.40 §	---	---	CW	1-1,4-4	---	4-B
			0-280	20#	2.40 §	---	---	CCW	5-5,2-2	---	2-B
SINGLE PHASE SERIES	480	50/60	0-480	10	4.80	13	6.24	CW	2-2	4-4	3-3
			0-560	10	5.60	---	---	CCW	4-4	2-2	3-3
	240	50/60	0-560	10#	2.40 §	---	---	CW	1-1	4-4	3-3
			0-560	10#	2.40 §	---	---	CCW	5-5	2-2	3-3
THREE PHASE OPEN DELTA ††	240	50/60	0-240	10	4.20	13	5.40	CW	2-4-2	4-4	3-4-3
			0-280	10	4.85	---	---	CCW	4-2-4	2-2	3-2-3
	120	50/60	0-280	10	4.85	---	---	CW	1-4-1	4-4	3-4-3
			0-280	10#	2.10 §	---	---	CCW	5-2-5	2-2	3-2-3

UNLESS OTHERWISE SPECIFIED, TOLERANCE IS ±
 DECIMALS HOLES ANGLES DIMS IN [IN]
 .001 .005 .015 1° 1/16"

MATERIAL: ALL DIMENSIONS APPLY UNLESS PLATING

TITLE: SPEC. CONTROL DRAWING
 VARIABLE TRANSFORMER
 MODEL: 2520C-2

DRAWN BY: T.SNAY DATE: 2/10/05
 CHECKED BY: R.SHORE DATE: 1/5/05
 ENGINEER: F.SEALE DATE: 1/5/05

FIRST USED ON: DO NOT SCALE DRG.
 WEIGHT APPROX: 50 LBS. QUOTE CODE: 63008
 SCALE: .50=1 SHEET 1 OF 1

STACO ENERGY PRODUCTS CO.
 A Continental Corporation of America Company
 214 South Boulevard, Dayton, Ohio 45403-0808

Dwg. No. 031-5514