

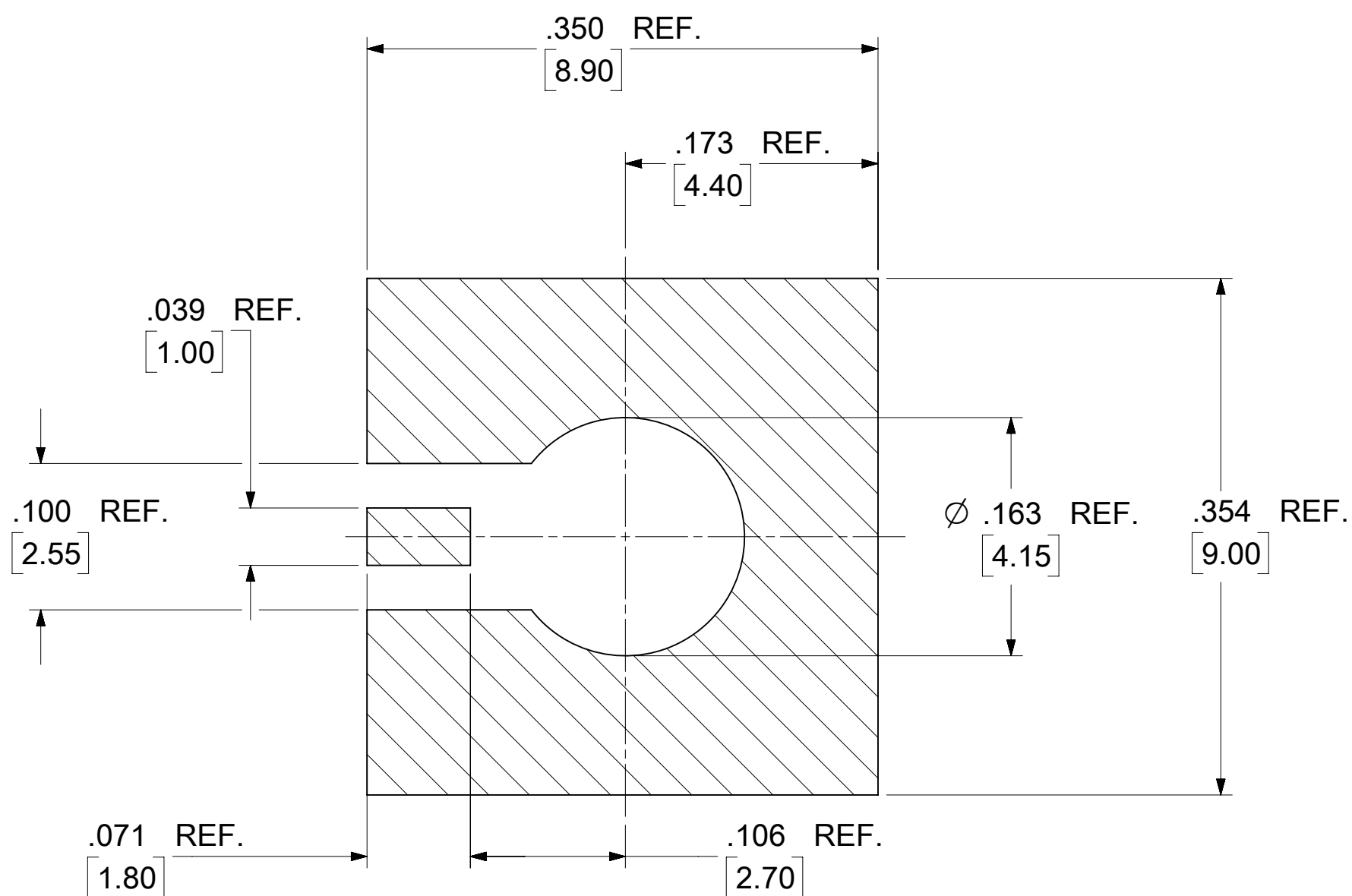
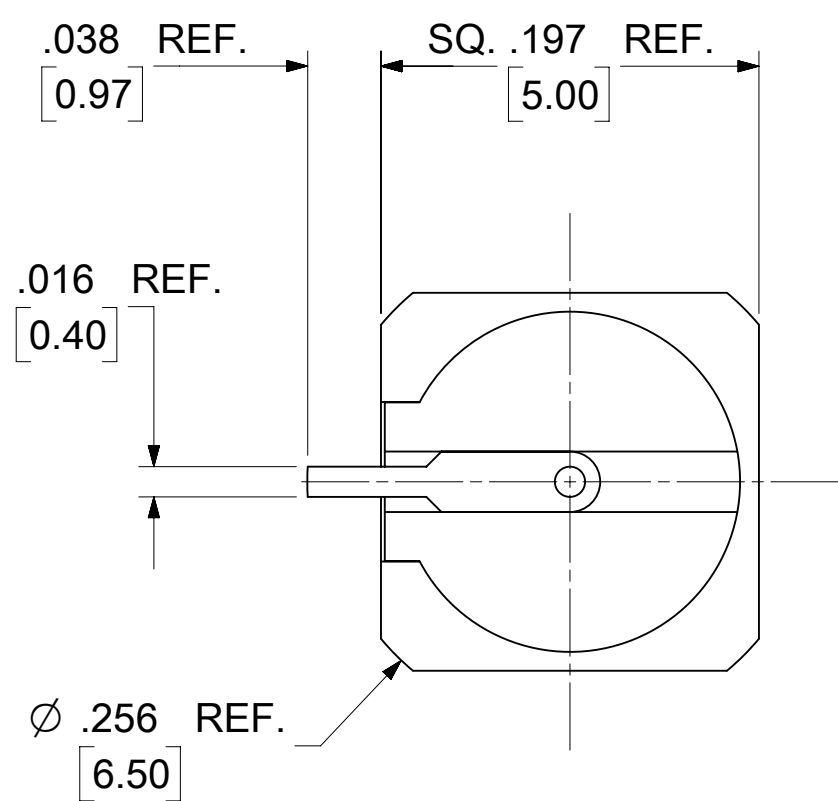
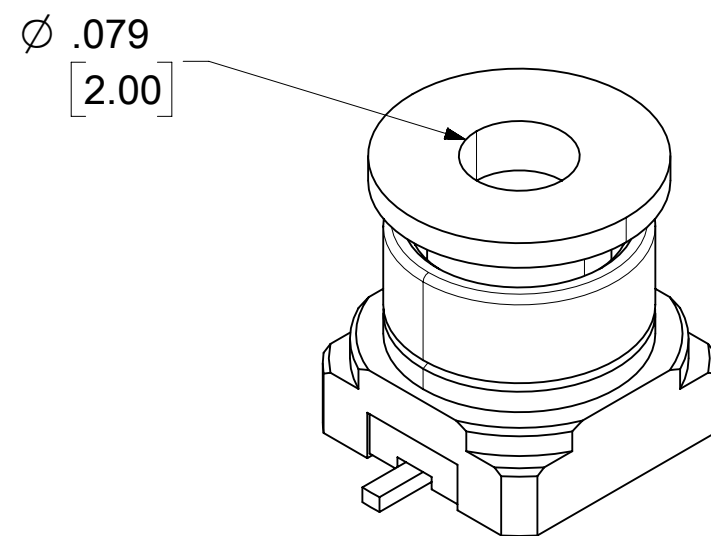
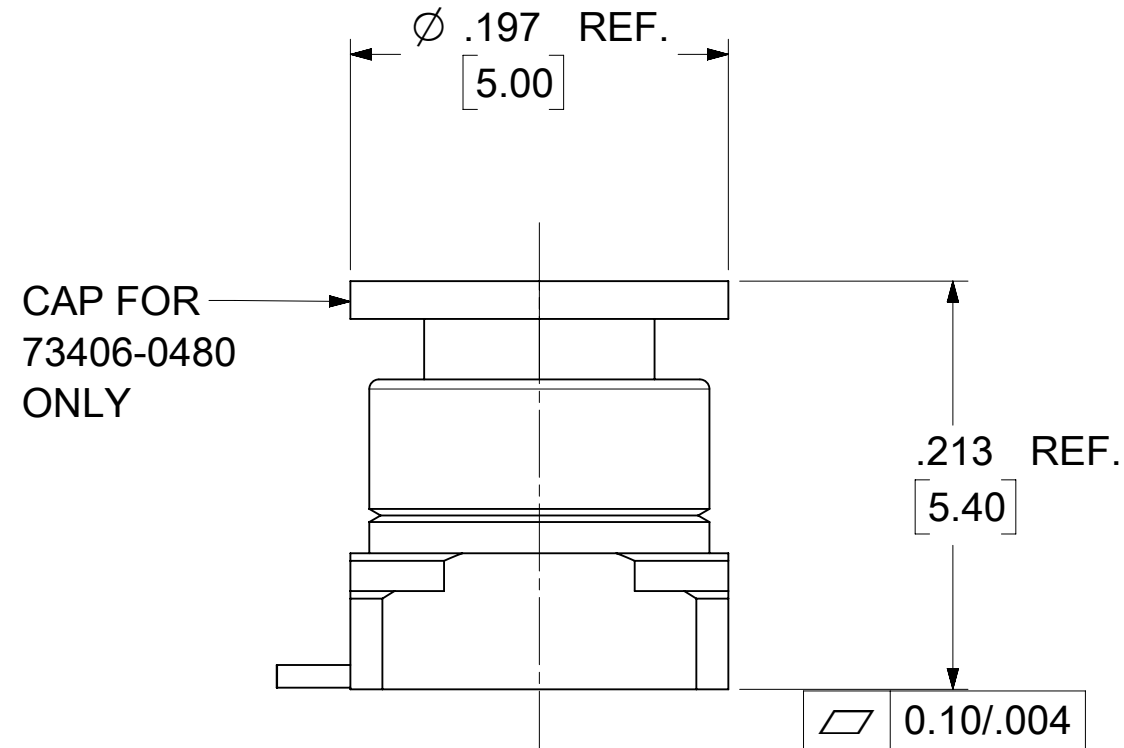
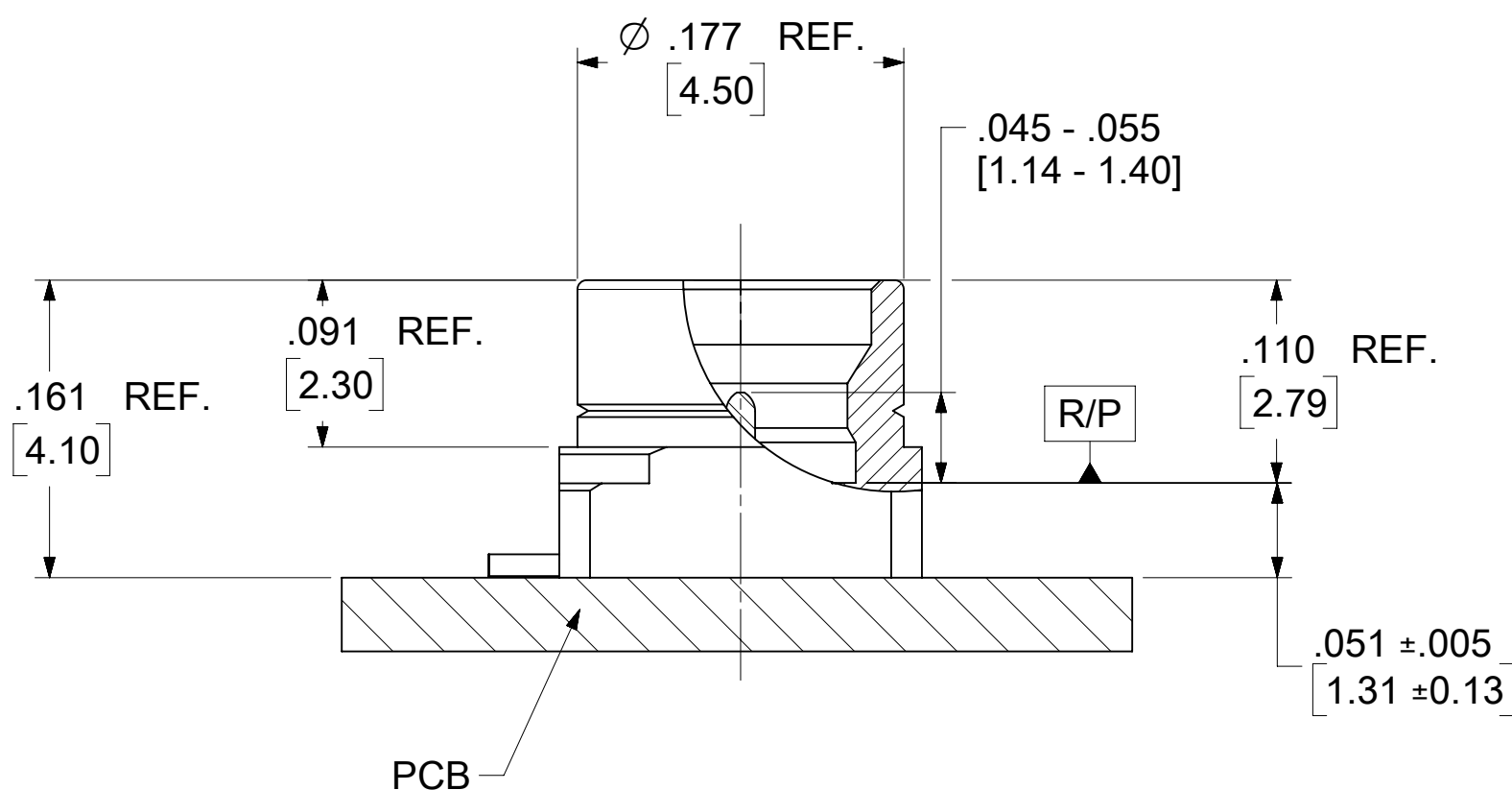
MATERIALS AND FINISHES:

BODY: BRASS
 PLATED: GOLD (5μ-in MIN)
 OVER NICKEL (50μ-in MIN)

INSULATOR: LCP
 OR EQUIVALENT

CONTACT: BRASS
 PLATED: GOLD (10μ-in MIN)
 OVER NICKEL (100μ-in MIN)

CAP: PTFE



RECOMMENDED PCB LAYOUT

LABEL FORMAT FOR
 73406-0482

PART NUMBER: 73406-0481
 ORDER NUMBER: 73406-0482
 MOLEX
 DATE: YYWW

73406-0482	73406-0481 ONE PER BAG	895420470
73406-0481	TAPE AND REEL	SEE SHEET 3
73406-0480	TAPE AND REEL	SEE SHEET 2
PART NO.	DESCRIPTION	PACKING SPEC

MIL-STD-348A, FIG. 326.3	INTERFACE
SPECIFICATION	DESCRIPTION

DOCUMENT STATUS	P1	RELEASE DATE	2022/08/30	02:55:04
-----------------	----	--------------	------------	----------

FUNCTIONAL SYMBOLS	THIS DRAWING CONTAINS INFORMATION THAT IS PROPRIETARY TO MOLEX ELECTRONIC TECHNOLOGIES, LLC AND SHOULD NOT BE USED WITHOUT WRITTEN PERMISSION			
	DIMENSION UNITS	SCALE	CURRENT REV DESC: ADD 73406-0482 PER EWR# 15321-C	
FA = 0	INCH/MM	NTS	EC NO: 718723 DRWN: ELIN 2022/08/19 CHK'D: YCHENG 2022/08/30 APPR: YCHENG 2022/08/30 INITIAL REVISION: DRWN: RYEH 2015/10/05 APPR: YCHENG 2015/11/04	
EA = 0	GENERAL TOLERANCES (UNLESS SPECIFIED)			
EP = 0	ANGULAR TOL ± 2.0°			
DIVISIONAL SYMBOLS	4 PLACES	±	PRODUCT CUSTOMER DRAWING DOCUMENT NUMBER: SD-73406-048 DOC TYPE: PSD DOC PART: 001 REVISION: A2	
	3 PLACES	±		
	2 PLACES	± 0.25		
1 PLACE	±	MATERIAL NUMBER: SEE TABLE		
0 PLACES	±	CUSTOMER: GENERAL MARKET		
DRAFT WHERE APPLICABLE MUST REMAIN WITHIN DIMENSIONS		THIRD ANGLE PROJECTION	DRAWING: C-SIZE	SHEET NUMBER: 1 OF 4

molex

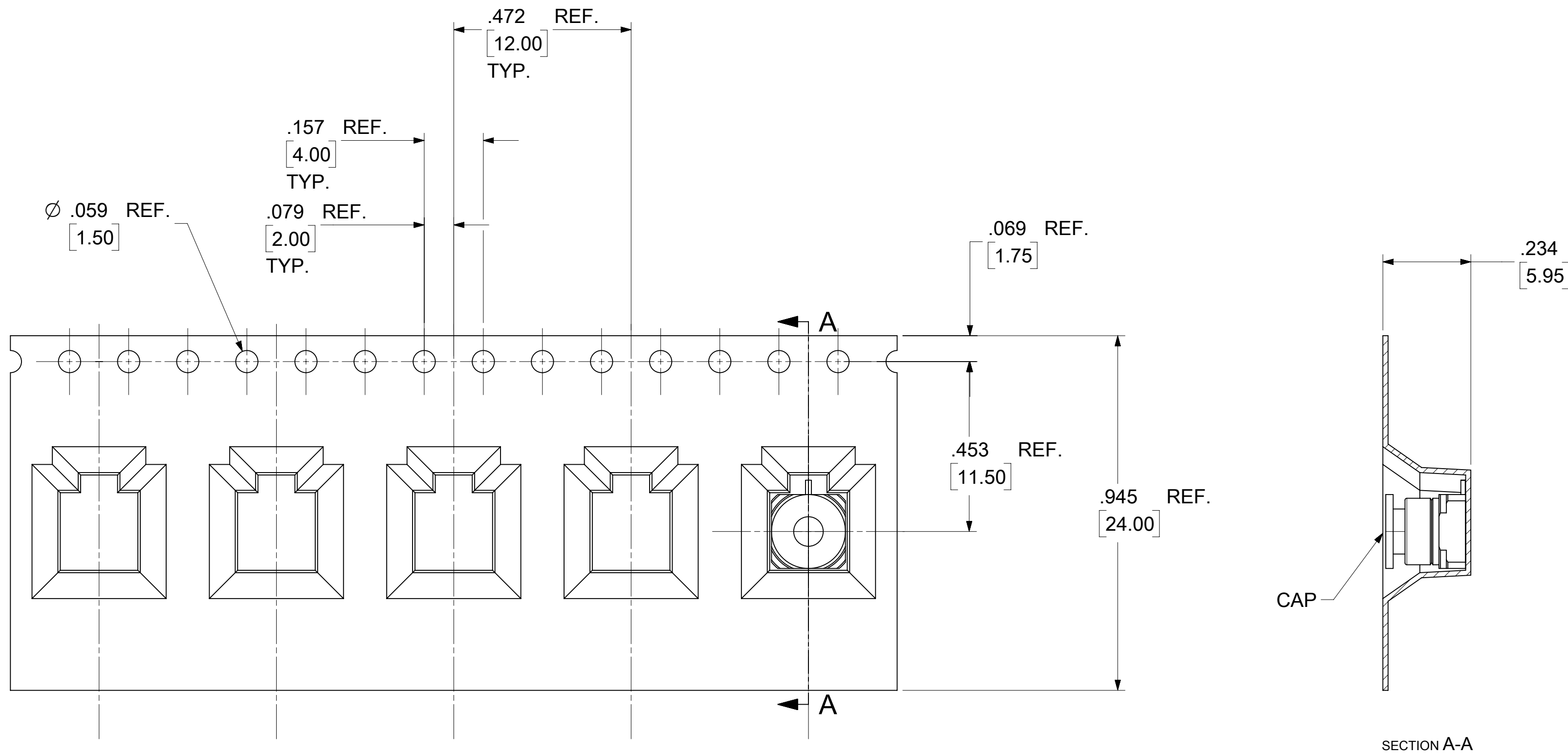
SMP PLUG STR LD PCB SMT
 WITH R/A FLAT TAB SMP-P/PCB

PRODUCT CUSTOMER DRAWING

SD-73406-048

PSD 001 A2

SEE TABLE GENERAL MARKET 1 OF 4



FOR 73406-0480

NOTES:

- 1. 1000 CONNECTORS PER REEL ON 330.2 mm (13.0 IN) REEL

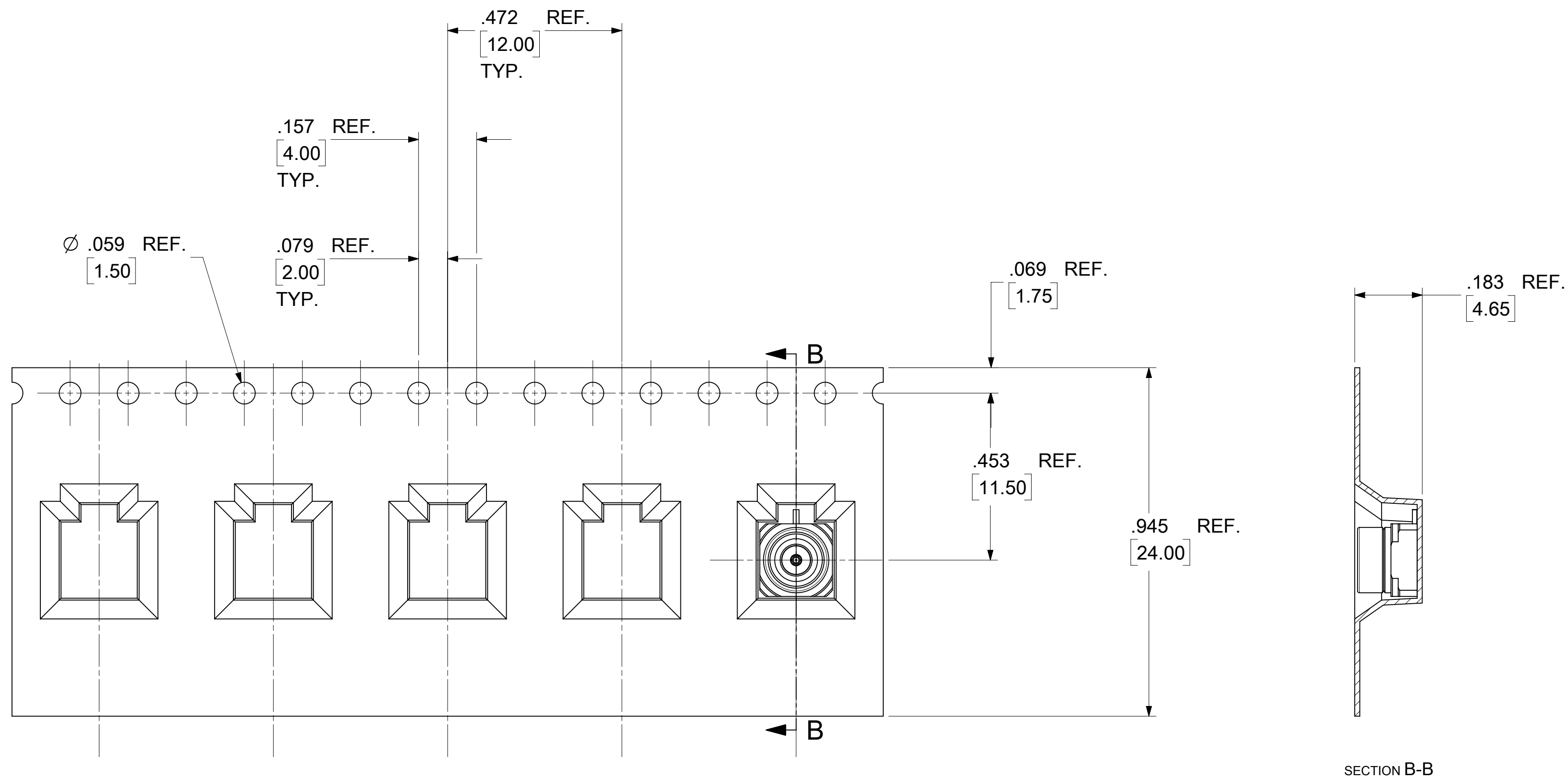
FUNCTIONAL SYMBOLS										THIS DRAWING CONTAINS INFORMATION THAT IS PROPRIETARY TO MOLEX ELECTRONIC TECHNOLOGIES, LLC AND SHOULD NOT BE USED WITHOUT WRITTEN PERMISSION											
DIMENSION UNITS		SCALE		CURRENT REV DESC: ADD 73406-0482 PER EWR# 15321-C																	
INCH/MM		NTS																			
GENERAL TOLERANCES (UNLESS SPECIFIED)																					
ANGULAR TOL ± 2.0°										EC NO: 718723											
4 PLACES ±					DRWN: ELIN					2022/08/19											
3 PLACES ±					CHK'D: YCHENG					2022/08/30											
2 PLACES ± 0.25					APPR: YCHENG					2022/08/30											
DIVISIONAL SYMBOLS										INITIAL REVISION:											
1 PLACE ±					DRWN: RYEH					2015/10/05											
0 PLACES ±					APPR: YCHENG					2015/11/04											
DRAFT WHERE APPLICABLE MUST REMAIN WITHIN DIMENSIONS										THIRD ANGLE PROJECTION		DRAWING		SERIES		MATERIAL NUMBER		CUSTOMER		SHEET NUMBER	
												C-SIZE		73406		SEE TABLE		GENERAL MARKET		2 OF 4	

molex

SMP PLUG STR LD PCB SMT WITH R/A FLAT TAB SMP-P/PCB

PRODUCT CUSTOMER DRAWING

DOCUMENT NUMBER	DOC TYPE	DOC PART	REVISION
SD-73406-048	PSD	001	A2

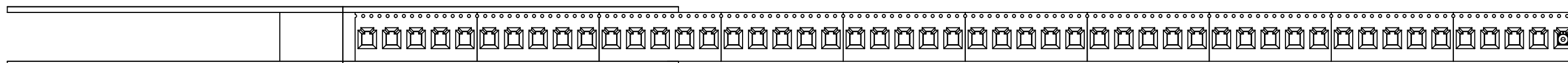


FOR 73406-0481

NOTES:

- 1. 1300 CONNECTORS PER REEL ON 330.2 mm (13.0 IN) REEL

THIS DRAWING CONTAINS INFORMATION THAT IS PROPRIETARY TO MOLEX ELECTRONIC TECHNOLOGIES, LLC AND SHOULD NOT BE USED WITHOUT WRITTEN PERMISSION									
FUNCTIONAL SYMBOLS	DIMENSION UNITS	SCALE	CURRENT REV DESC: ADD 73406-0482 PER EWR# 15321-C						
$\frac{F}{A} = 0$	INCH/MM	NTS	molex SMP PLUG STR LD PCB SMT WITH R/A FLAT TAB SMP-P/PCB PRODUCT CUSTOMER DRAWING						
$\frac{E}{C} = 0$	GENERAL TOLERANCES (UNLESS SPECIFIED)								
$\frac{E}{P} = 0$	ANGULAR TOL $\pm 2.0^\circ$								
DIVISIONAL SYMBOLS	4 PLACES	\pm	EC NO: 718723	2022/08/19	DOCUMENT NUMBER: SD-73406-048 DOC TYPE: PSD DOC PART: 001 REVISION: A2				
	3 PLACES	\pm	DRWN: ELIN	2022/08/30					
	2 PLACES	± 0.25	CHK'D: YCHENG	2022/08/30					
	1 PLACE	\pm	APPR: YCHENG	2022/08/30	INITIAL REVISION: DRWN: RYEH 2015/10/05 APPR: YCHENG 2015/11/04				
	0 PLACES	\pm							
DRAFT WHERE APPLICABLE MUST REMAIN WITHIN DIMENSIONS			THIRD ANGLE PROJECTION	DRAWING	SERIES	MATERIAL NUMBER	CUSTOMER	SHEET NUMBER	
				C-SIZE	73406	SEE TABLE	GENERAL MARKET	3 OF 4	



LABEL:
 - ORDER NO.
 - QUANTITY
 - PART NUMBER
 - LOT NO.

ORDER QUANTITY
 PACKED WITH
 1000 PCS FOR 73406-0480
 1300 PCS FOR 73406-0481

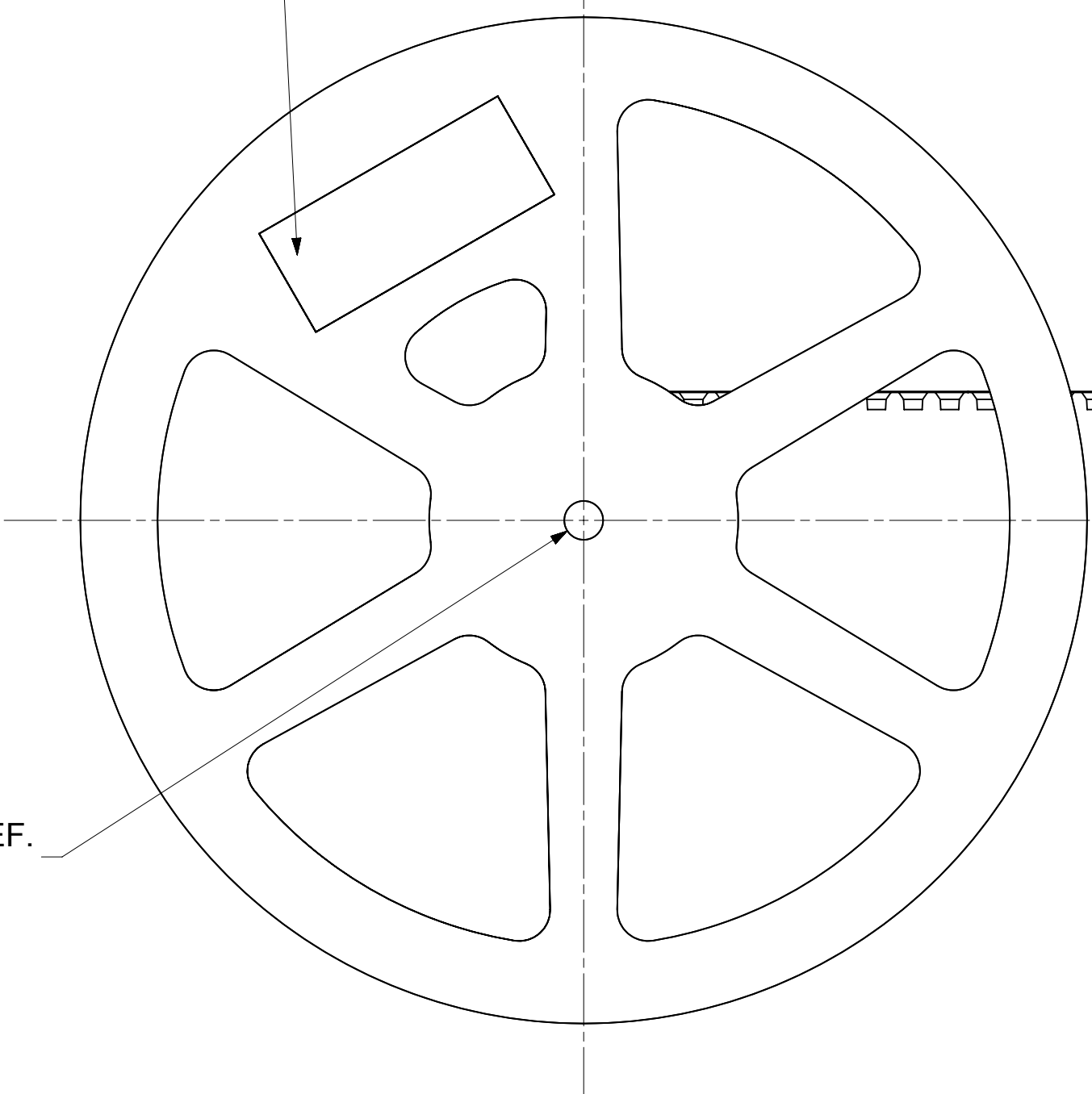
25 EMPTY UNITS MIN.

25 EMPTY UNITS MIN.

.945 REF.
 [24.00]

Ø 12.993 REF.
 [330.02]

Ø .502 REF.
 [12.75]



HANDING DIRECTION →

FUNCTIONAL SYMBOLS $\nabla_A = 0$ $\nabla_C = 0$ $\nabla_P = 0$ DIVISIONAL SYMBOLS 4 PLACES ± 3 PLACES ± 2 PLACES ± 0.25 1 PLACE ± 0 PLACES ±	THIS DRAWING CONTAINS INFORMATION THAT IS PROPRIETARY TO MOLEX ELECTRONIC TECHNOLOGIES, LLC AND SHOULD NOT BE USED WITHOUT WRITTEN PERMISSION		CURRENT REV DESC: ADD 73406-0482 PER EWR# 15321-C					
	DIMENSION UNITS	SCALE	EC NO: 718723					
	INCH/MM	NTS	DRWN: ELIN 2022/08/19					
	GENERAL TOLERANCES (UNLESS SPECIFIED)		CHK'D: YCHENG 2022/08/30					
ANGULAR TOL ± 2.0°		APPR: YCHENG 2022/08/30		PRODUCT CUSTOMER DRAWING				
DRAFT WHERE APPLICABLE MUST REMAIN WITHIN DIMENSIONS		THIRD ANGLE PROJECTION	DRAWING	SERIES	DOCUMENT NUMBER	DOC TYPE	DOC PART	REVISION
			C-SIZE	73406	SD-73406-048	PSD	001	A2
		MATERIAL NUMBER		CUSTOMER	SHEET NUMBER			
		SEE TABLE		GENERAL MARKET	4 OF 4			