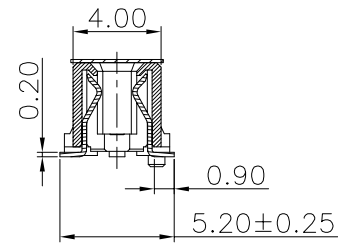
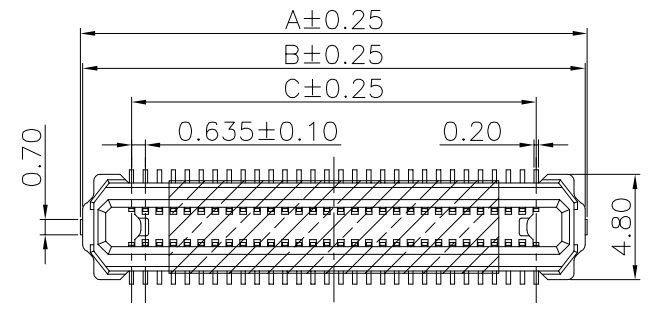
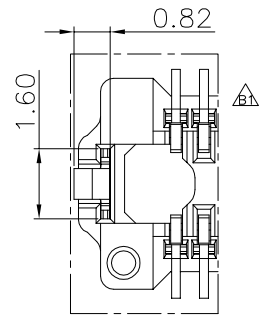
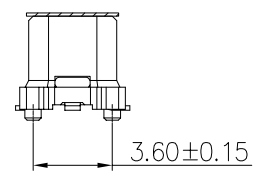
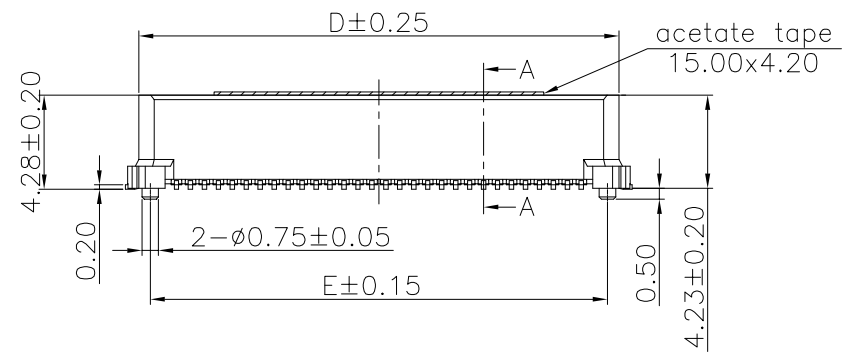


REV.	LOCAS.	DESCRIPTION	DATE	DRAWN
01	NEW	BATCH PRODUCTION INITIAL RELEASE.	2022.01.14	劉先平
02		PCB由固定pin改為系列pin	2022.08.02	劉先平
B1		改善斜拔出凸台斷裂問題，修改塑膠避空位，調整相應尺寸	2022.09.09	葉繼賓



SECTION A-A

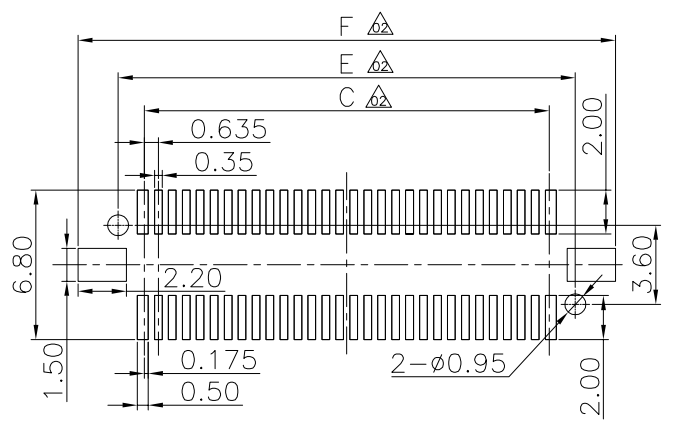
Specifications
 Current Rating:0.5Amp
 Insulation Resistance:500MΩMin.
 Dielectric Withstanding Voltage:200VAC
 Contact Resistance:100mΩMax.
 Operating Temperature:-40°C to +105°C
 Materials
 Contact Material:Phosphor Bronze
 Insulator Material:High Temperature Thermoplastic, UL 94V-0 LCP or the equivalent material
 All materials must meet GREENCONN hazardous substances control standards.



DETAIL B
2:1

No. of PIN/ROW	Dimension Information					
	A	B	C	D	E	F
2x30	23.05	22.85	18.415	21.85	20.80	24.45
2x40	29.40	29.20	24.765	28.20	27.15	30.80

Recommended P.C.Board Layout
 (Tolerance:±0.05)



Ordering Information

C GZC201 - XX XX B 001 C 1 S X

No. Of Pins Per Row 30,40
 Standard Plating 02=Gold Flash 09=3u"Au/Gold Flash
 Color 1=Black
 Standard Packing H=Acetate tape +Tape&Reel

 Website:www.greenconn.com E-mail:sales@greenconn.com	3RD.ANG PROJ.	GENERAL TOLERANCE		DESIGNED: 葉繼賓	DATE: 2022.09.09	DWG. NO. CGZC201-CB1CS	TITLE. 0.635mm PITCH BTB FLOATING CONNECTOR
		X.*±5.0°	X.±0.30	CHECKED: 張春進	DATE: 2022.09.09		
	PAGE. 1/1	.X.*±3.0°	.X±0.25	APPROVED: 邱國延	DATE: 2022.09.09	PART NO. CGZC201-XXXXB001C1SX	
	REV. B1	UNIT. mm	SCALE. 3:1	.XX.*±2.0°	.XX±0.15		
			.XXX.*±1.0°	.XXX±0.10			