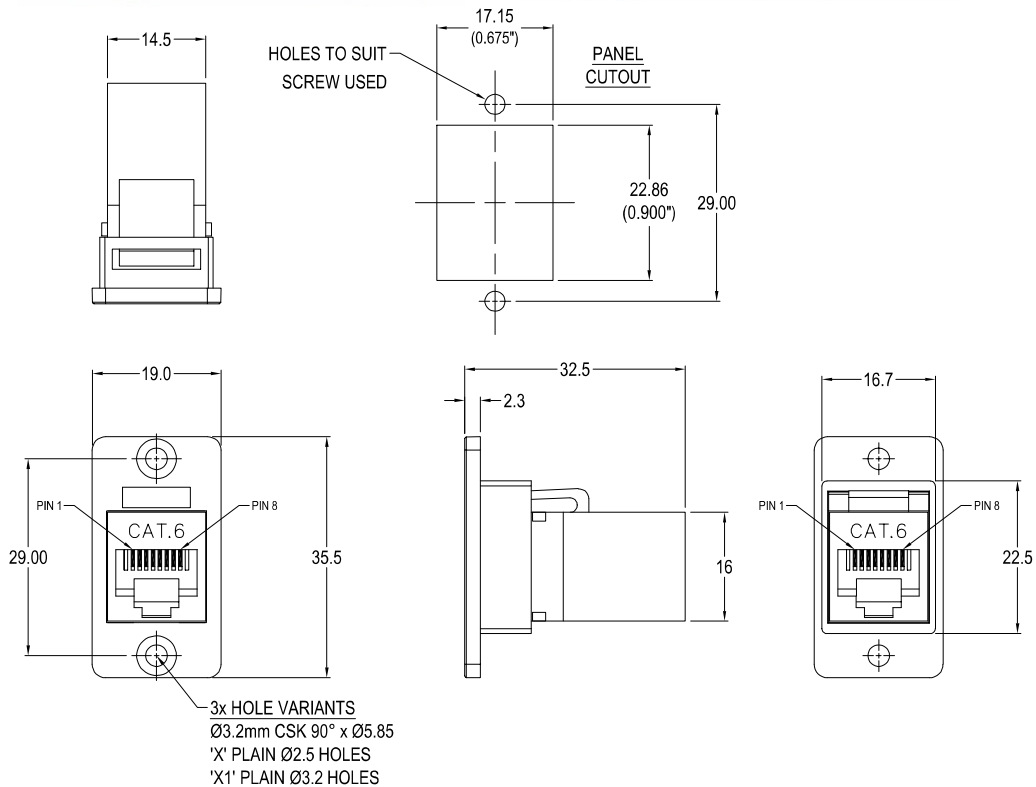


# CLIFF

## SLIM CAT.6 RJ45 FRONT MOUNTING FEEDTHROUGH CONNECTOR



### Part No.

**CP30622**

SLIM FM Cat.6 RJ45 Black plastic frame, CSK holes

**CP30622X**

SLIM FM Cat.6 RJ45 Black plastic frame, Ø2.5 PLAIN holes

**CP30622X1**

SLIM FM Cat.6 RJ45 Black plastic frame, Ø3.2 PLAIN holes

### Feedthrough Features

- Fits standard rectangular cutout.
- Various hole mounting options.
- No soldering or punch termination. Use standard cable for each connector style.
- Low rear profile.

### General:

Please note: Functionality is affected by cable quality, length and cable wiring configuration.

### Material:

1. RJ45 In-Line Coupler: ABS UL94-V0
2. RJ45 In-Line Coupler Contact:  
Phosphor Bronze, 3-50 micro inches  
gold plating over nickel plate.
3. PCB: FR4
4. Frame: Polyamide UL94-V2

### Performance:

1. T568A & T568B wiring.
2. Meet ISO/IEC 11801 and EN50173
3. Meet ANSI/TIA/EIA 568B.2
4. Rating: 125VAC RMS 1.5A
5. Operating Temperatures: Min -10°C Max +60°C