

# MATERIALS & SPECIFICATIONS

## INSULATOR:

POLYPHENYLENE SULFIDE (PPS) PER MIL-M-24519, TYPE GST 40F.

## CONTACT:

COPPER ALLOY PER MIL-DTL-83513, GOLD PLATED PER ASTM B488, (HARD GOLD) TYPE II CODE C CLASS 1.27.

## TERMINATION:

26 AWG (7-34) TYPE E, PER NEMA HP3, COLOR CODED PER TABLE.

## LATCH:

BERYLLIUM COPPER PER ASTM B194 NICKEL PLATE PER SAE-AMS-2404.

## CURRENT CAPACITY:

3 AMP MAX.

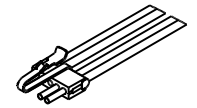
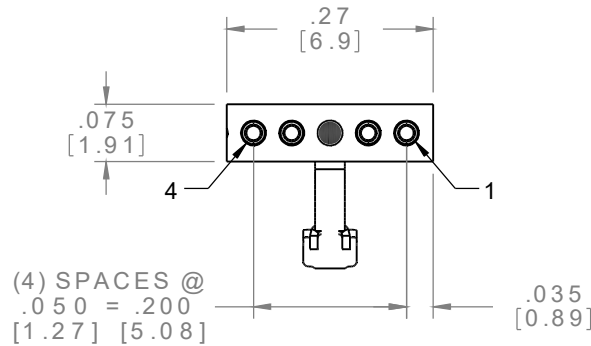
## CONTACT RESISTANCE:

26 MILLIOHMS (65mV) MAX @ 2.5 AMPS.

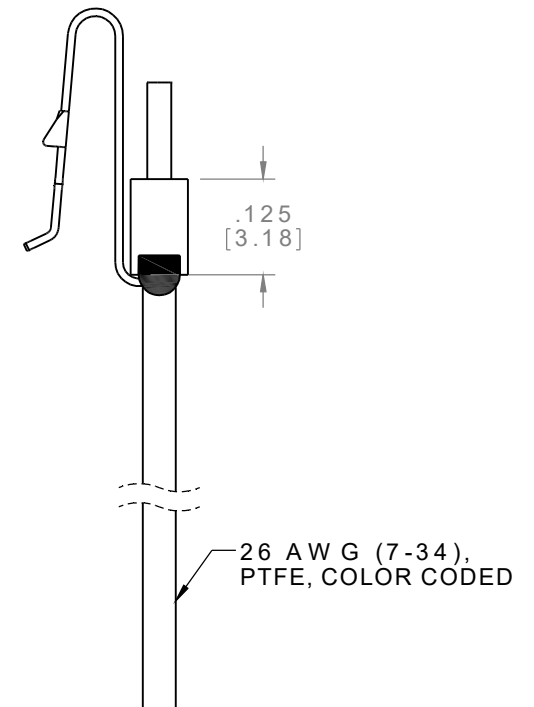
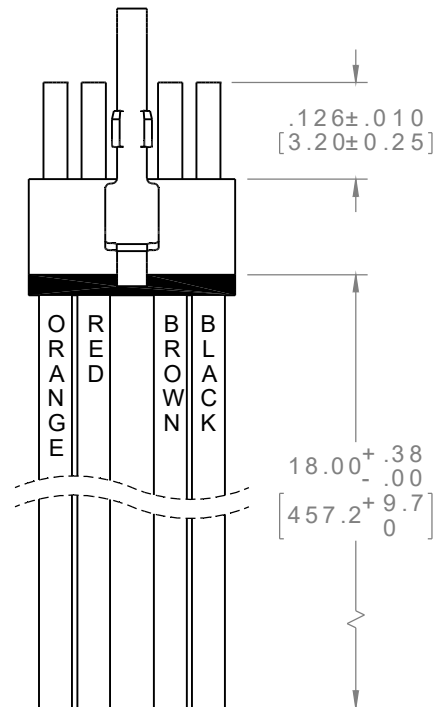
## PERFORMANCE:

PRODUCT FAMILY TESTED TO AND PASSED THE PERFORMANCE SPECIFICATIONS OF TABLE VII OF MIL-DTL-83513.

| SOCKET # | COLOR  |
|----------|--------|
| 1        | BLACK  |
| 2        | BROWN  |
| 3        | RED    |
| 4        | ORANGE |



ACTUAL SIZE EXCLUDING WIRE LENGTH



## NOTE:

DIMENSIONS IN [ ] ARE IN MILLIMETERS UNLESS OTHERWISE NOTED AND ARE FOR REFERENCE ONLY

|                     |                        |
|---------------------|------------------------|
| SSB<br>SLDW         | THIRD ANGLE            |
|                     | -TOLERANCES-           |
|                     | UNLESS OTHERWISE NOTED |
|                     | DIMENSIONS IN INCHES   |
| 2 P L D E C ± .01   |                        |
| 3 P L D E C ± .005  |                        |
| 4 P L D E C ± .0005 |                        |
| ANGLES ± 1°         |                        |

|  |               |
|--|---------------|
| THIS DRAWING CONTAINS CONFIDENTIAL AND PROPRIETARY INFORMATION WHICH IS THE PROPERTY OF OMNETICS CONNECTOR CORP. THIS DOCUMENT MAY NOT, IN WHOLE OR IN PART, BE DUPLICATED, OR DISCLOSED FOR ANY PURPOSE, WITHOUT WRITTEN PERMISSION FROM OMNETICS CONNECTOR CORP. |               |
| DFTM. PER  | DATE 08-28-02 |
| CHK'D.   | DATE          |
| APP'D.   | DATE          |
| TITLE: (4) SOCKET FEMALE SINGLE ROW CONNECTOR W/ LATCH   |               |

**OMNETICS**  
CONNECTOR CORPORATION  
7260 COMMERCE CIRCLE EAST  
MINNEAPOLIS, MN 55432  
WWW.OMNETICS.COM

|                    |       |
|--------------------|-------|
| CAGE CODE 61873    |       |
| DWG NO. A25000-004 |       |
| SHEET 1 OF 1       | REV E |
| SCALE: 4:1         |       |