

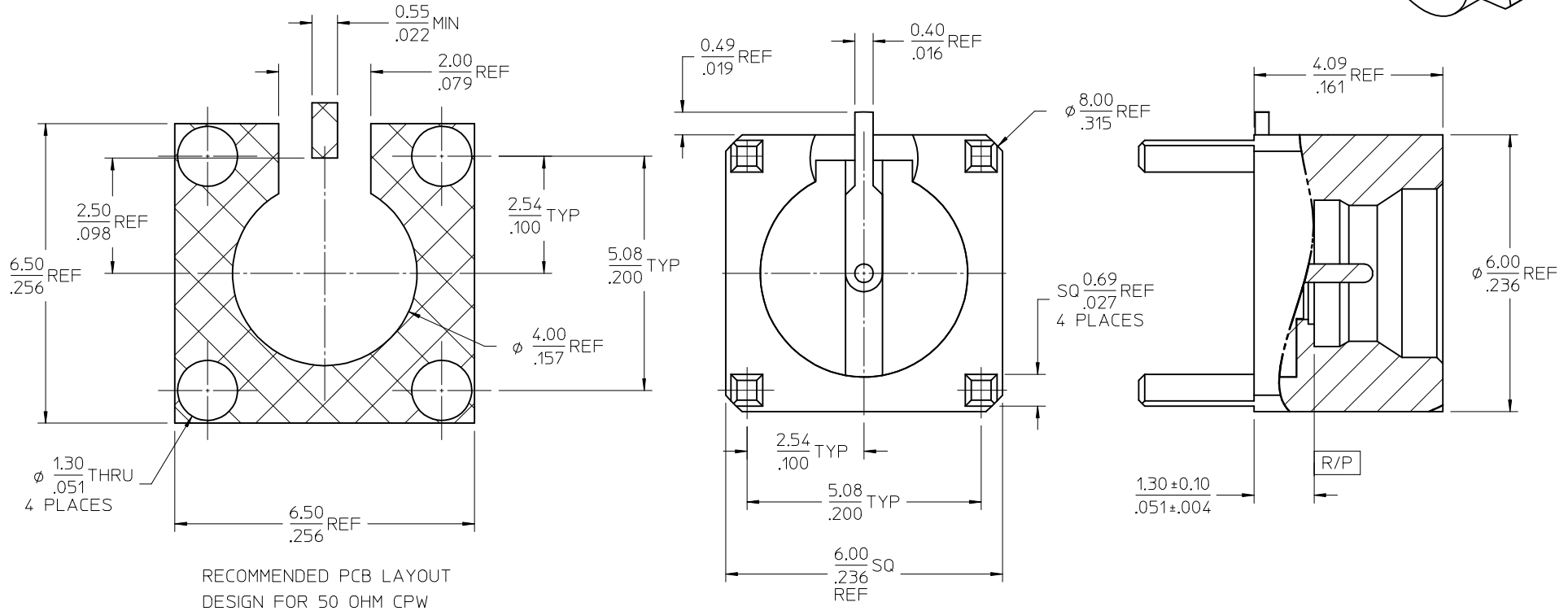
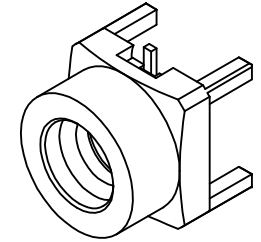
MATERIALS AND FINISHES:

TAPE: SEE SHEET 2

BODY, CONTACT: BRASS.
 PLATED: GOLD (30μ-in MIN)
 OVER NICKEL (100μ-in MIN)

REEL: SEE SHEET 3

INSULATOR: LCP



RECOMMENDED PCB LAYOUT
 DESIGN FOR 50 OHM CPW

73406-6033	TRAY
73406-6032	TAPE & REEL
73406-6031	TAPE & REEL WITH KAPTON TAPE
73406-6030	SINGLE PIECE PER BAG
PART NO.	DESCRIPTION

PS-89675-3320	PRODUCT SPECIFICATION
MIL-STD-348B, FIG. 326.2	INTERFACE SMP FD
SPECIFICATION	DESCRIPTION

CHG: ADD TOLERANCE
 TO DIM 1.30/.051 IN
 E4 ZONE
 UPD MATERIALS AND
 FINISHES NOTE.
 EC NO: URF2017-0394
 DRWNL:MEIER 2017/01/13
 CHKD:BBB 2017/01/13
 APPR:AROBERTSON 2017/06/28

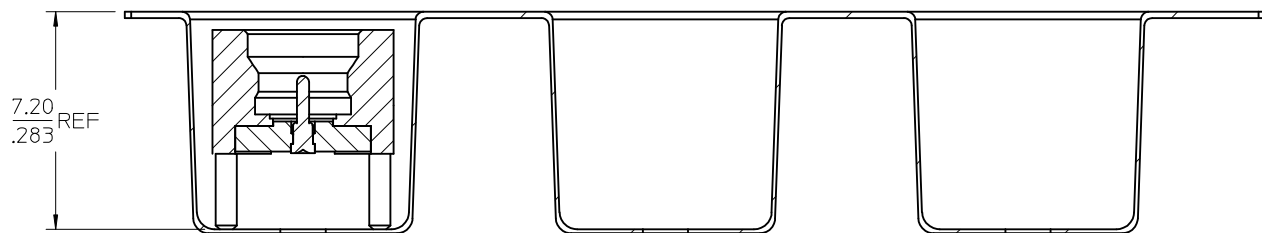
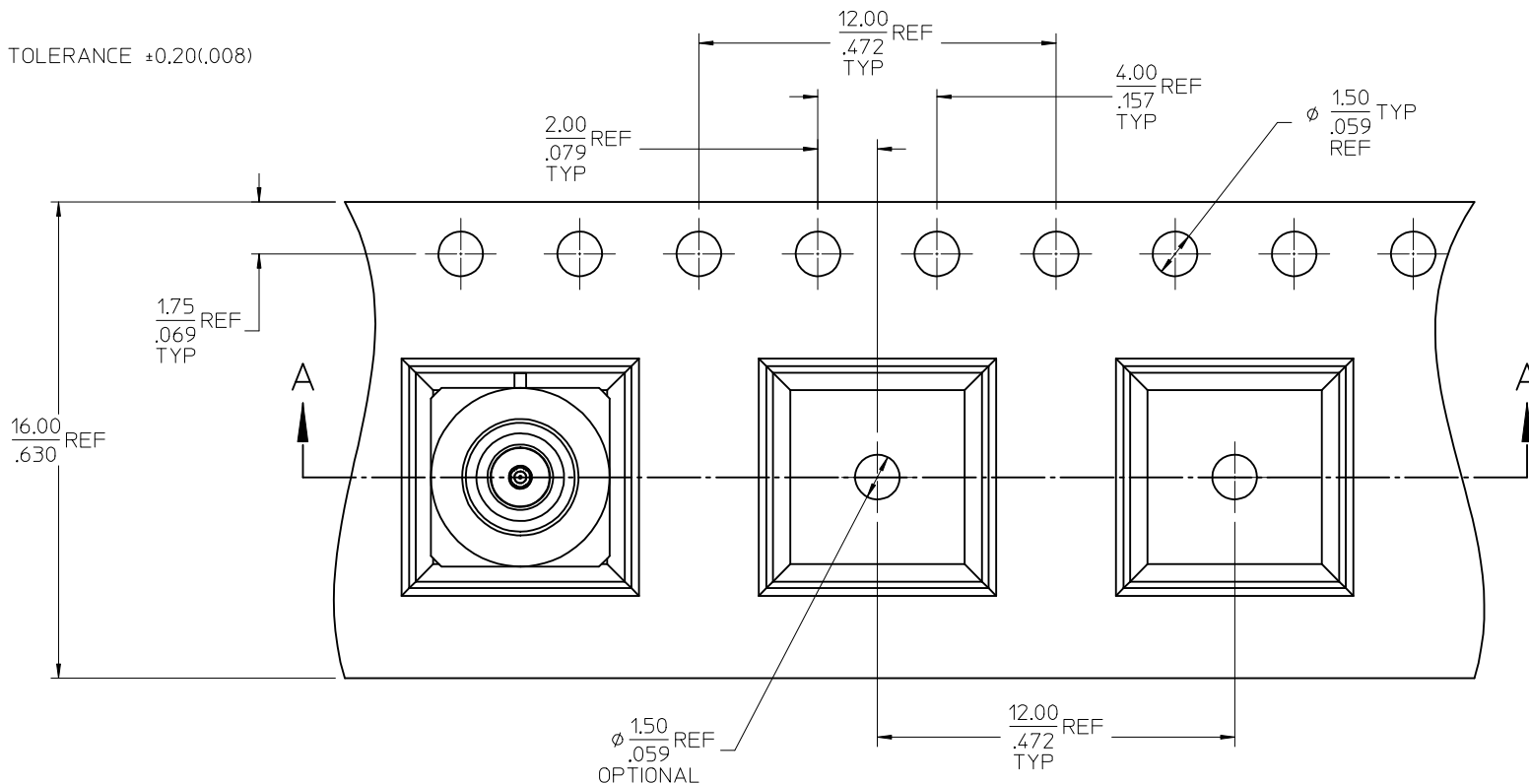
QUALITY SYMBOLS	DESCRIPTION
▽=0	
▽=0	
▽=0	

GENERAL TOLERANCES (UNLESS SPECIFIED)	
	MM/IN
4 PLACES	± .10 / ± .004
3 PLACES	± .10 / ± .010
2 PLACES	± 0.25 / ± .010
1 PLACE	± .10 / ± .010
0 PLACE	± .10 / ± .010
ANGULAR ± 2 °	
DRAFT WHERE APPLICABLE MUST REMAIN WITHIN DIMENSIONS	

DIMENSION STYLE	
MM/IN	
DRAWN BY	DATE
AZR	2008/07/16
CHECKED BY	DATE
SSS	2008/07/16
APPROVED BY	DATE
JDW	2008/07/16
MATERIAL NO.	
SEE TABLE	
SIZE	C

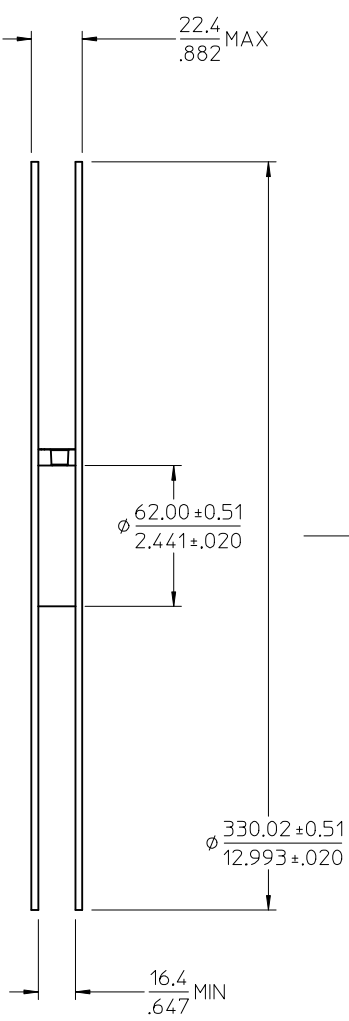
SCALE	DESIGN UNITS	THIRD ANGLE PROJECTION
	METRIC	☉
TITLE		
SMP PLUG FULL DETENT TH GROUND SMT SIGNAL SMP-P/PCB, EWR-3688		
molex		
DOCUMENT NO.	SD-73406-603	SHEET NO.
		1 OF 3
THIS DRAWING CONTAINS INFORMATION THAT IS PROPRIETARY TO MOLEX INCORPORATED AND SHOULD NOT BE USED WITHOUT WRITTEN PERMISSION		

NOTE:
1. 10 PITCHES CUMULATIVE TOLERANCE ±0.20(.008)

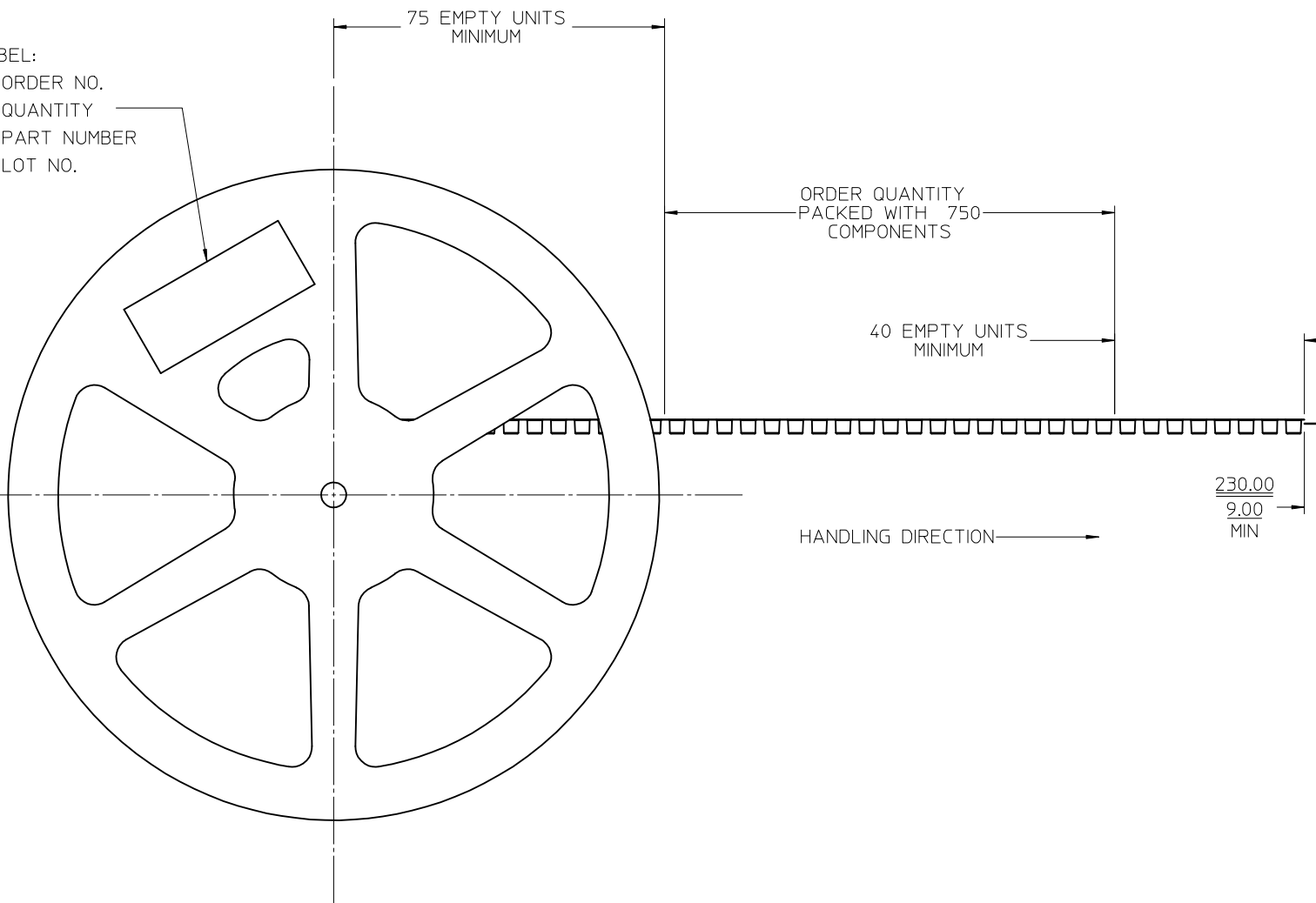


SECTION A-A

CHG: SEE SHEET 1 EC NO: URF2017-0394 DRWN: MEIER 2017/01/13 CHKD: HBB 2017/01/13 APPR: ARBERTSON 2017/06/28	QUALITY SYMBOLS ▽=0 ▽=0 ▽=0	GENERAL TOLERANCES (UNLESS SPECIFIED)		DIMENSION STYLE MM/IN		SCALE	DESIGN UNITS METRIC	THIRD ANGLE PROJECTION	
		4 PLACES ± --- ± ---	3 PLACES ± --- ± .010	2 PLACES ± 0.25 ± ---	1 PLACE ± --- ± ---	0 PLACE ± --- ± ---	mm	INCH	DRAWN BY AZR
REV A2	DESCRIPTION	ANGULAR ± 2 °		DRAFT WHERE APPLICABLE MUST REMAIN WITHIN DIMENSIONS		MATERIAL NO. SEE SHEET 1		DOCUMENT NO. SD-73406-603	
		SIZE		THIS DRAWING CONTAINS INFORMATION THAT IS PROPRIETARY TO MOLEX INCORPORATED AND SHOULD NOT BE USED WITHOUT WRITTEN PERMISSION		SHEET NO. 2 OF 3		TITLE SMP PLUG FULL DETENT TH GROUND SMT SIGNAL SMP-P/PCB, EWR-3688 molex	



LABEL:
 - ORDER NO.
 - QUANTITY
 - PART NUMBER
 - LOT NO.



CHG: SEE SHEET 1 IEC NO: URF2017-0394 DRWN: MEIER 2017/01/13 CHKD: 888 2017/01/13 APPR: ROBERTSON 2017/06/28	QUALITY SYMBOLS 	GENERAL TOLERANCES (UNLESS SPECIFIED)		DIMENSION STYLE	SCALE	DESIGN UNITS	THIRD ANGLE PROJECTION	
				MM/IN				
		4 PLACES	± ---	± ---	DRAWN BY	DATE	TITLE	
		3 PLACES	± ---	± .010	CHECKED BY	DATE	SMP PLUG FULL DETENT TH GROUND SMT SIGNAL SMP-P/PCB, EWR-3688	
2 PLACES	± 0.25	± ---	SSS	2008/07/16	APPROVED BY			
1 PLACE	± ---	± ---	JDW	2008/07/16	DATE			
0 PLACE	± ---	± ---	MATERIAL NO.		DOCUMENT NO.		SHEET NO.	
ANGULAR ± 2 °		DRAFT WHERE APPLICABLE MUST REMAIN WITHIN DIMENSIONS		SEE SHEET 1		SD-73406-603		3 OF 3
REV: A2		SIZE: C		THIS DRAWING CONTAINS INFORMATION THAT IS PROPRIETARY TO MOLEX INCORPORATED AND SHOULD NOT BE USED WITHOUT WRITTEN PERMISSION				