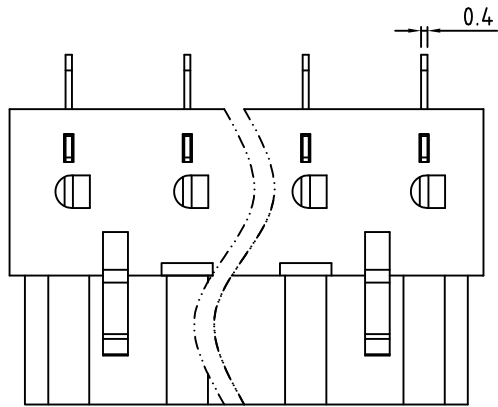
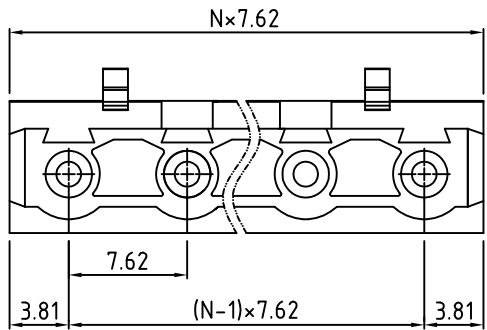


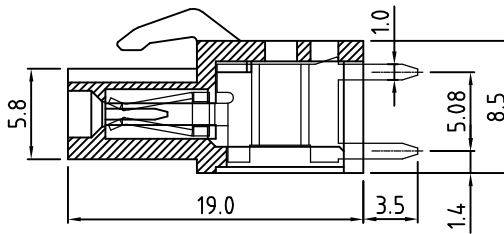
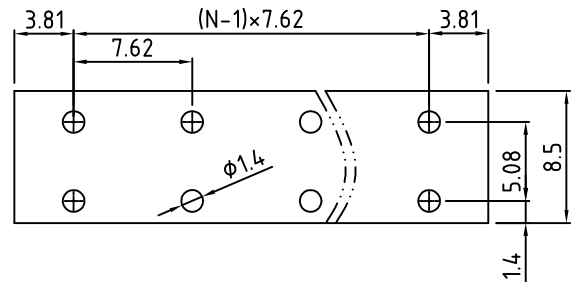
Transfer or duplication of this document as well as the utilisation or communication of its content are not permitted unless express consent is granted. Violations give rise to claims for damages. All rights reserved in case of patent, utility model or design patent registrations.



N=Number of contacts



P.C.B LAYOUT



Technical Data:
 Electrical
 Pitch: 7.62mm
 Voltage rating: 300V
 Current rating: 16 Amps
 Withstanding Voltage: 2500VAC(1min) Test time=60sec/1pcs
 Mechanical:
 Operating temperature: -40°C to +105°C
 Soldering temperature
 Temperature= 250°C ± 10°C/ 5 seconds max
 Safety approval:
 RoHS Compliance

Part No.:

OSTV7XX0150

- | | |
|--------------------|---------------------|
| No. of Poles | COLOR |
| 02 2 Poles | 0: Black |
| 03 3 Poles | 2: Red |
| ... | 3: Orange |
| 24 24 Poles | 4: Yellow |
| | 5: Green (Standard) |
| Nonstandard colors | 6: Blue |
| Mins could apply | 8: Grey |

Contact	Copper Alloy	Tin plated	1xN		
Cover	PA66 UL94V-0		1		
Body	PA66 UL94V-0		1		
ITEM	NAME OF PART	MATERIAL	NOTES	Q"TY	
DWG.	DATE	UNITS:	MM	SHEET: 1 OF 1	Tolerance
CHK.	DATE	SCALE:	NONE 3:1	REV.: A	X. ±0.50
APP.	DATE	TITLE:	OSTV7 SERIES 7.62MM		X.XX ±0.30
			180° VERTICAL		X.XX ±0.10
		PART NO.:	OSTV7XX0150		X° ±1°
		DWG NO.:	OSTV7XX0150.DWG		

REV	△	SIGN	DESCRIPTION	CHK.	DATE



ON-SHORE TECHNOLOGY, INC.