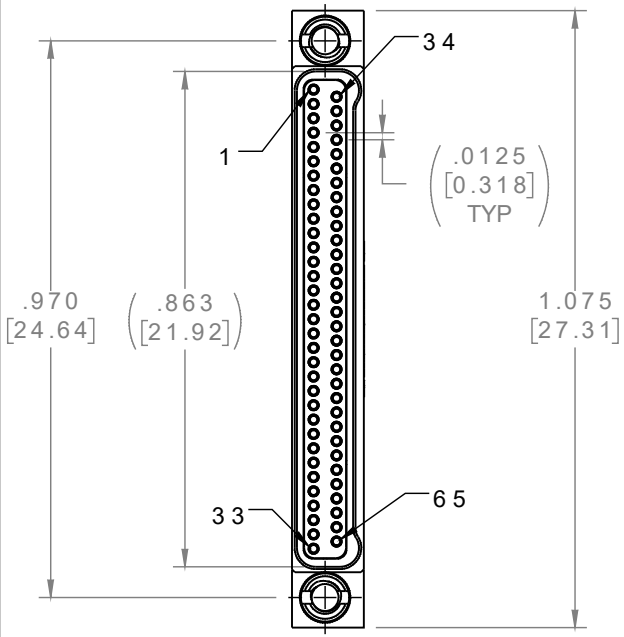


PART NO.	A40838-065	REV	ECO	DATE	APP
		A	103406	04-19-17	TLM



FEMALE

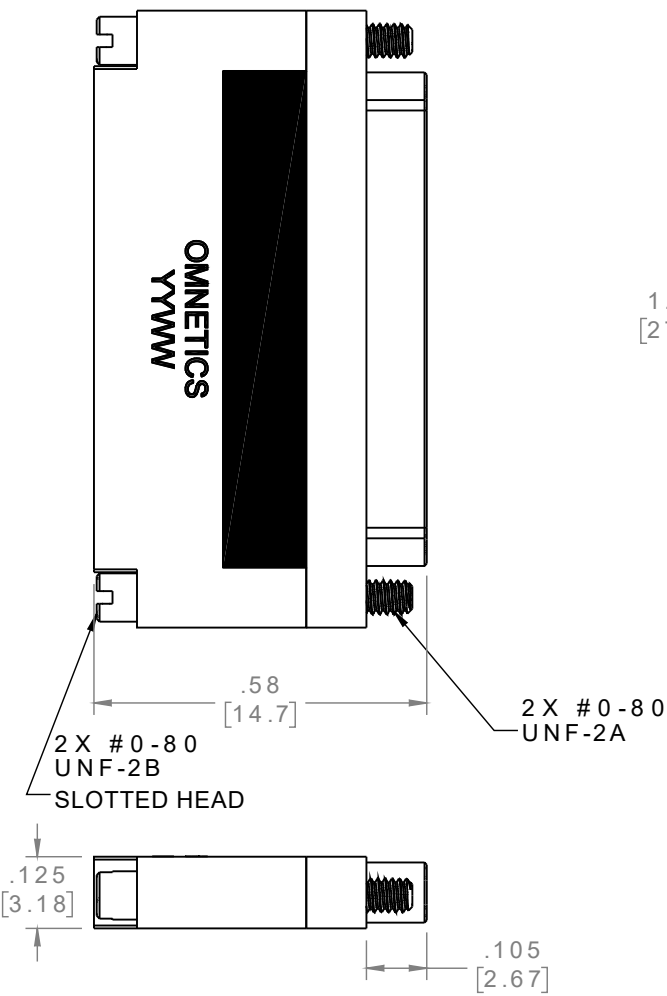
MATERIALS:

- INSULATOR:** LIQUID CRYSTAL POLYMER (LCP) PER ASTM D5138
- HOUSING:** ALUMINUM 6061-T6, NICKEL PLATE PER SAE-AMS-2404
- HARDWARE:** 303 STAINLESS STEEL PER ASTM 582

CONTACTS:

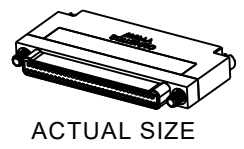
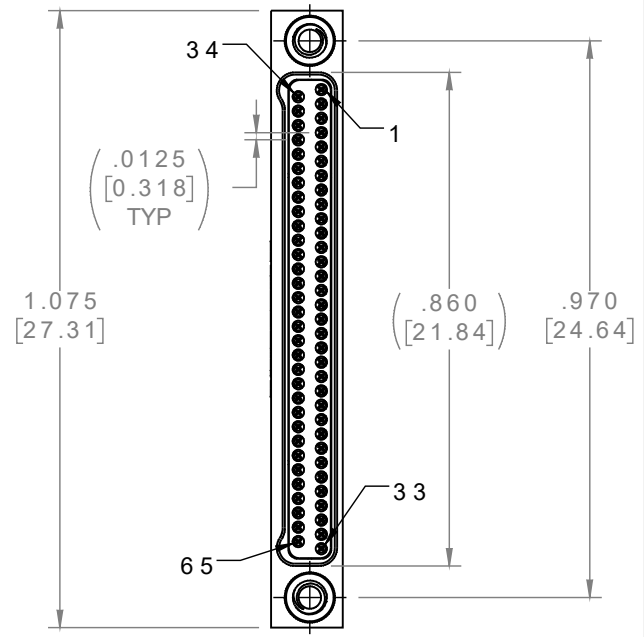
MALE:
 BERYLLIUM COPPER PER ASTM B194, C17200, GOLD PLATED PER ASTM B488, (HARD GOLD) TYPE II CODE C, CLASS 1.27

FEMALE:
 COPPER ALLOY PER MIL-DTL-32139, GOLD PLATED PER ASTM B488, (HARD GOLD) TYPE II CODE C, CLASS 1.27



MALE

NOTE:
 DIMENSIONS IN [] ARE IN MILLIMETERS UNLESS OTHERWISE NOTED AND ARE FOR REFERENCE ONLY



JUN SLDW	THIRD ANGLE	THIS DRAWING CONTAINS CONFIDENTIAL AND PROPRIETARY INFORMATION WHICH IS THE PROPERTY OF OMNETICS CONNECTOR CORP. THIS DOCUMENT MAY NOT, IN WHOLE OR IN PART, BE DUPLICATED, OR DISCLOSED FOR ANY PURPOSE, WITHOUT WRITTEN PERMISSION FROM OMNETICS CONNECTOR CORP.	 CONNECTOR CORPORATION 7260 COMMERCE CIRCLE EAST MINNEAPOLIS, MN 55432 WWW.OMNETICS.COM	CAGE CODE 61873			
	-TOLERANCES- UNLESS OTHERWISE NOTED DIMENSIONS IN INCHES			DWG NO. A40838-065			
	2 PL DEC ± .01			DFTM. ERB DATE 03-17-17	TITLE: (65) PIN MALE/FEMALE	SHEET 1 OF 1	
	3 PL DEC ± .005			CHK'D. DATE	Bi-Lobe® CONNECTOR SAVER	REV A	SCALE: 3:1
4 PL DEC ± .0005	APP'D. DATE						
ANGLES ± 1°							