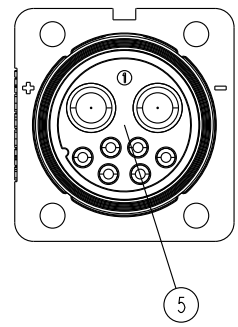
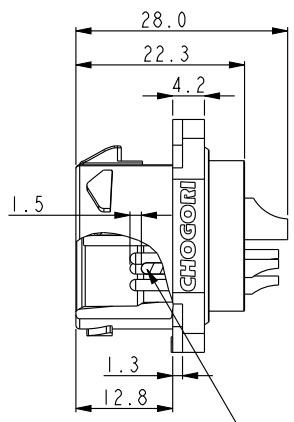
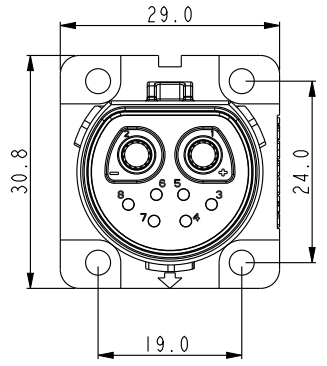
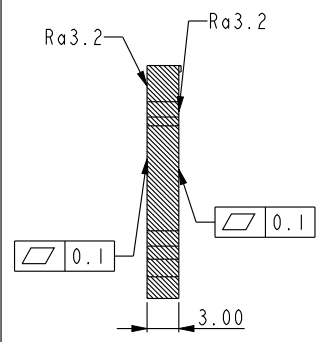
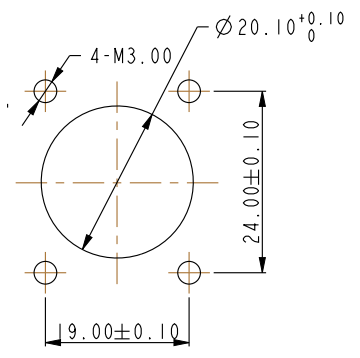
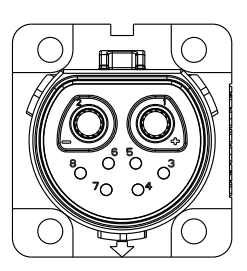
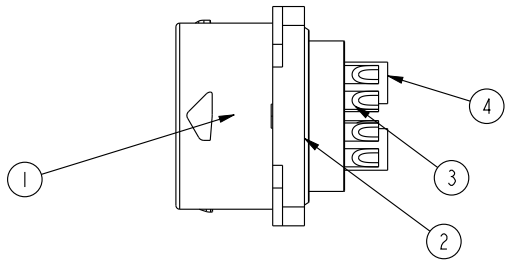


REV.	ECN NO.	DESCRIPTION	SIGE	DATE
C1	N/A	INITIAL DRAWING	Deng	2021/11/12



Recommended Panel Cut-Out
Panel Thickness Max 3mm.



Front View

Specification:
 1. Operation Temperature: -40°C~+105°C.
 2. Insulation Resistance: 100MΩ at DC500V.
 3. Contact Resistance: Power Pin < 1mΩ, Signal Pin < 10mΩ.
 4. Rated Current: 40A*2(10AWG) + 2A*6.
 5. Rated Voltage: 72V DC.
 6. Withstand Voltage: 1500V AC, 60s, Leaking Current < 2mA.
 7. Environmental Protection: IP67(Mated).
 8. RoHS Compliant.

ITEM	PART NAME	QTY	Description
5	Glue	1	Resin
4	Female Pin	2	Copper Alloy
3	Male Pin	6	Copper Alloy
2	Gasket	1	Silica Gel
1	Housing	1	Black

BOM

UNIT: mm	
TOLERANCE	
.X	±0.35
.XX	±0.20
.XXX	±0.10
ANGLES	±5°

Product Description:	
KR Series 2+6 Flange Panel Mount	
SCALE: 1:1	SHEET: 1 OF 1
REV: C1	SIZE: A4

CHOGORI
 深圳乔合里科技股份有限公司
 Chogori Technology Co.,Ltd

PART NO	13206636-06
DWG NO	
CUSTOMER P/N	

DRAWN	Deng	PROOFREAD	Song
CHECKED		STANDARDIZED	
APPROVED			