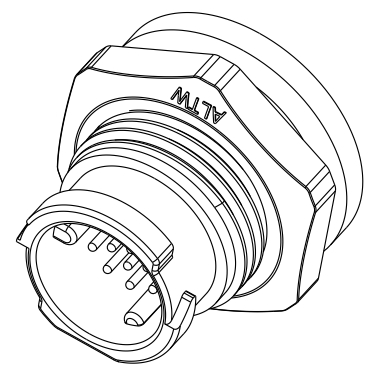
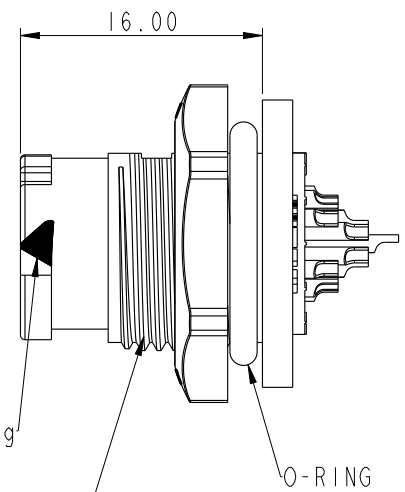
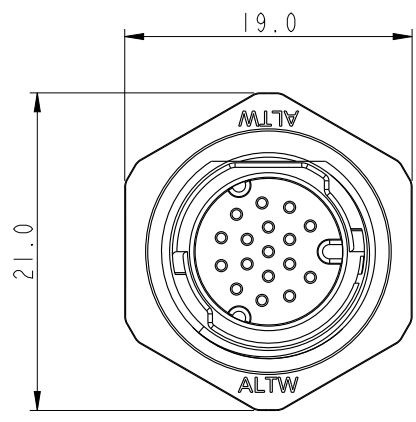


THIS DOCUMENT IS SUBJECT TO CHANGE WITHOUT NOTICE. IT IS CONFIDENTIAL AND A PROPERTY OF Amphenol LTW. DISCLOSURE TO THIRD PARTY HAS TO BE AUTHORIZED BY Amphenol LTW.

REV.	ECN NO.	DATE	SIGN	DESCRIPTION
B	C210482	2021-03-29	Ouyang	$\triangle B$ X2

$\triangle B$



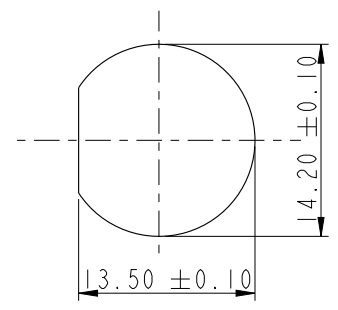
CC White Printing

9/16\"/>

O-RING

Note:

- * RoHS Compliant
- * CC Important Dimension
- * Waterproof Rate: IPX8, Unmated 1m/24h
- * Connector
 - Housing: Thermoplastic, Black
 - Pin: Copper Alloy, Gold Plated
- * Nut: Metal / Thermoplastic, Black
- * O-Ring: Rubber, Gray
- * For Panel Thickness Max 4.0mm
- * Use with waterproof cap or dust cap
 - Panel thickness Max: 3.0mm
- * O-Ring and nut are packed separately in PE bag
- * Nut is packed separately in PE bag



Recommended Panel Cut-out

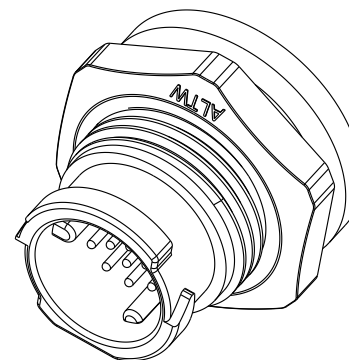
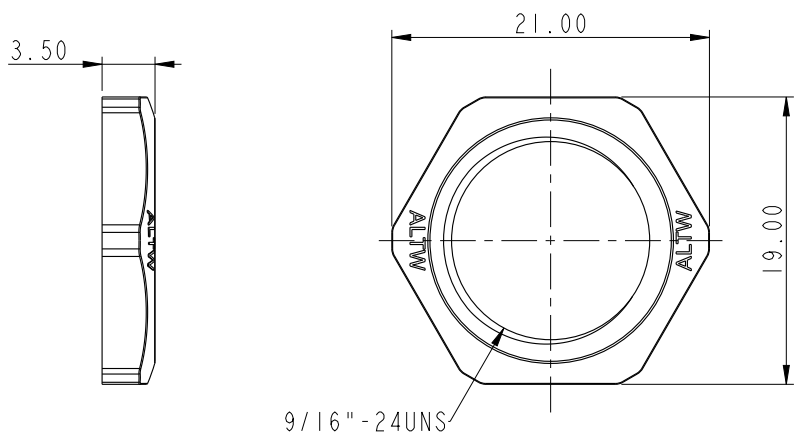
UNIT: mm	
TOLERANCE	± 0.5 mm

TITLE X-LOK A Size 17Pin Panel			
SCALE 1:1	SIZE A4	SHEET 1 OF 2	
REV. B	WC-REV. .0	CC : Inspection item	

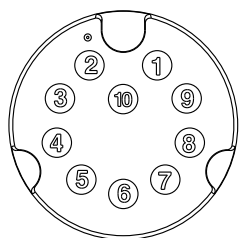
Amphenol LTW
安費諾亮泰企業股份有限公司

ITEM NO	DRAWN BY Ouyang	DATE 2021-03-24
DWG NO AZ-XXPMMS-0C8001	CHECKED BY Jerry	DATE 2021-03-24
CUSTOMER ALTW	APPROVED BY Fred	DATE 2021-03-24

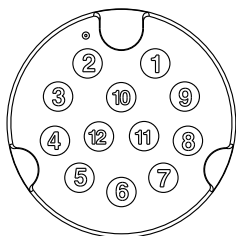
THIS DOCUMENT IS SUBJECT TO CHANGE WITHOUT NOTICE. IT IS CONFIDENTIAL AND A PROPERTY OF Amphenol LTW. DISCLOSURE TO THIRD PARTY HAS TO BE AUTHORIZED BY Amphenol LTW.



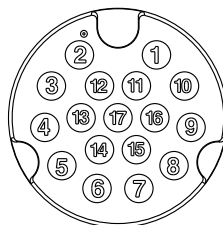
NUT



10Pin



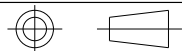
12Pin



17Pin

Pin Assignments Front View(10~17PIN)

UNIT:mm



TOLERANCE

±0.5mm

TITLE

X-LOK A Size 17Pin Panel

SCALE 1:1

SIZE A4

SHEET 2 OF 2

REV. B

WC-REV. .0

QC: Inspection item

Amphenol LTW

安費諾亮泰企業股份有限公司

ITEM NO

DWG NO

AZ-XXPMMS-0C8001

CUSTOMER

ALTW

DRAWN BY

Ouyang

CHECKED BY

Jerry

APPROVED BY

Fred

DATE

2021-03-24

DATE

2021-03-24

DATE

2021-03-24