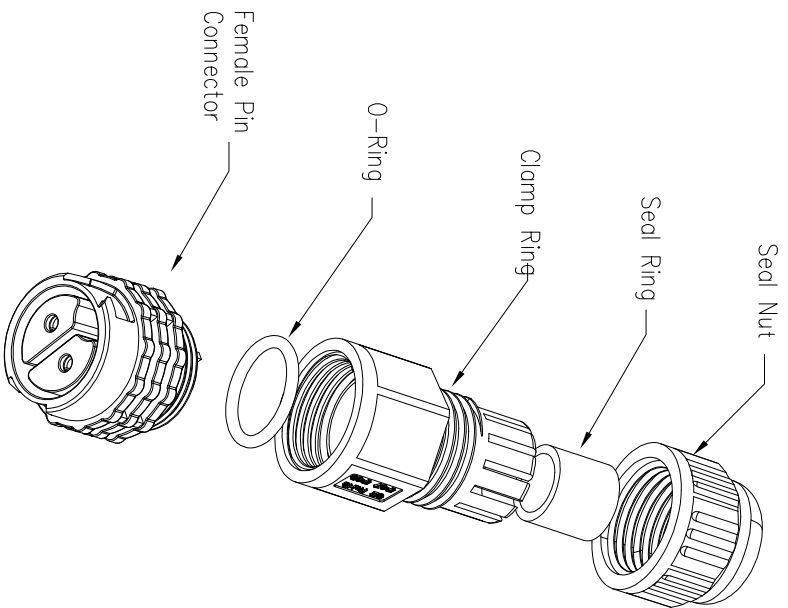
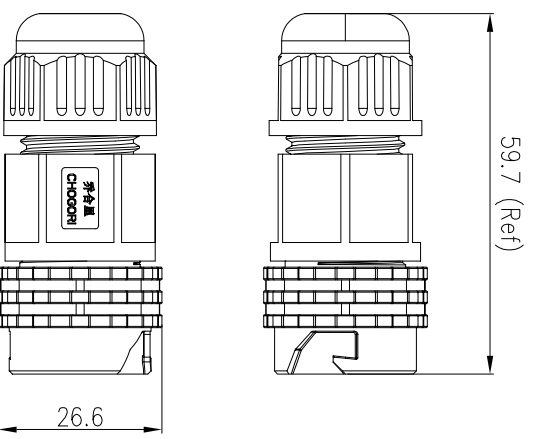
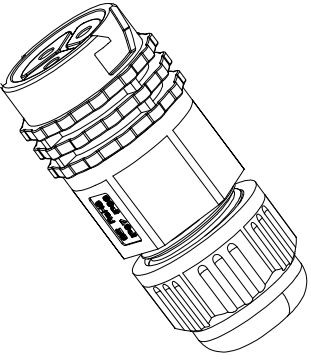


| REV. | EN. NO. | DESCRIPTION     | SIGN | DATE       |
|------|---------|-----------------|------|------------|
| C1   | N/A     | INITIAL DRAWING | Liu  | 2019/08/13 |



24XXX431-XX Cable Range OD  
 01 OD:  $\phi 3.5\text{mm} \sim \phi 6.8\text{mm}$   
 02 OD:  $\phi 6.8\text{mm} \sim \phi 10.5\text{mm}$   
 Pin Number

|                            |                  |
|----------------------------|------------------|
| 2 Pin                      | 3 Pin            |
| Pin Assignments Front View |                  |
| P/N: 24002431-02           | P/N: 24003431-02 |



- Specification:
- 1.Operation Temperature:  $-45^{\circ}\text{C} \sim 105^{\circ}\text{C}$ .
  - 2.Insulation Resistance:  $100\text{M}\Omega$  at DC500V.
  - 3.Contact Resistance:  $<10\text{m}\Omega$ .
  - 4.Withstand Voltage: 2000V AC
  - 5.Operating Current: 20A
  - 6.Operating Voltage: AC 300V
  - 7.Waterproof Rate: IP67 (Mated)
  - 8.Seal Nut: Nylon, Black
  - 9.Seal Ring: Silicon, Black.
  - 10.Clamp Ring: Nylon, Black
  - 11.O-Ring: Silicon, Red
  - 12.Female Pin: Copper Alloy, Gold Plated
  - 13.Connector: Nylon+GF, Black
  - 14.RoHS Compliant.
  - 15.UL Compliant.
  - 16.Mating Cap: 806-00068-00

|   |   |             |             |            |
|---|---|-------------|-------------|------------|
| UNIT: mm  | DESCRIPTION   | PART NO     | DRAWN BY    | DATE       |
| TOLERANCE<br>X<br>XX<br>XXX<br>ANGLES                     | Large Series Push Lock<br>Female Plug With Female Pin | 24XXX431-XX | Liu         | 2019/08/13 |
| $\pm 0.25$<br>$\pm 0.15$<br>$\pm 0.05$<br>$\pm 1^{\circ}$ | SCALE: 1:1  | DWG NO      | CHECKED BY  | DATE       |
|   | REV: C1   | CUSTOMER    | Mo          | 2019/08/13 |
|   | SIZE: A4  |             | APPROVED BY | DATE       |
|   | * : Inspection Item                                   |             | Panson      | 2019/08/13 |

**CHOGORI**