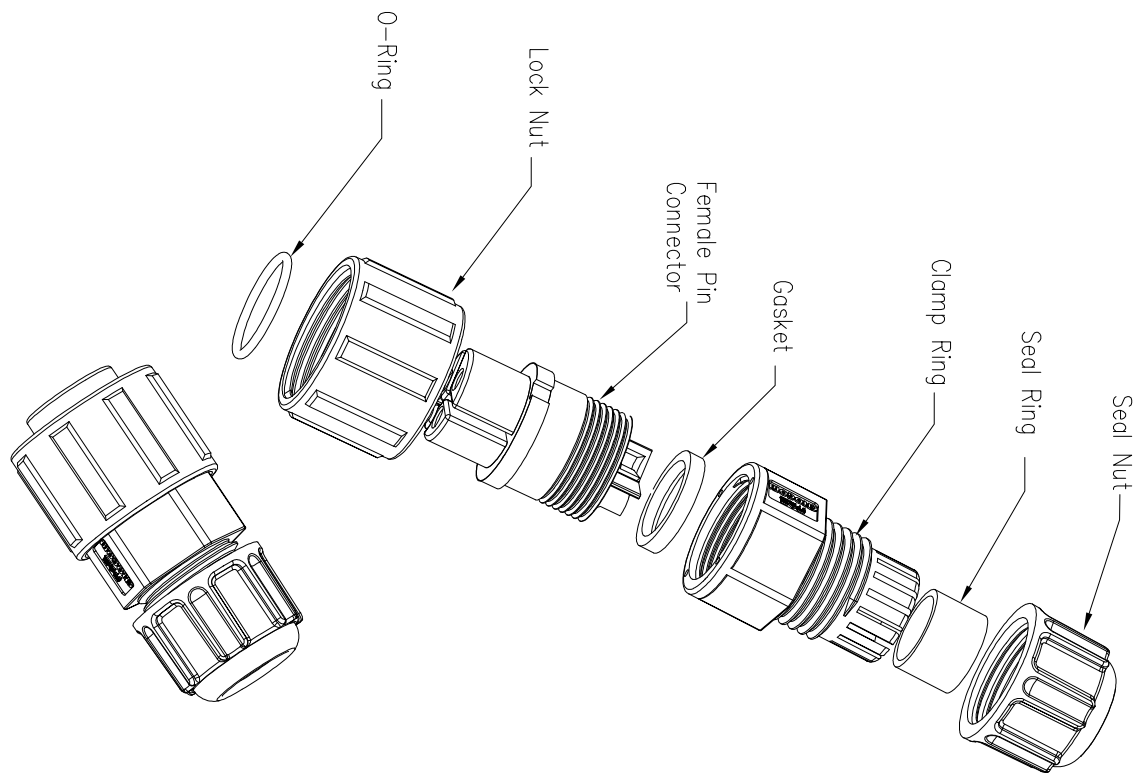
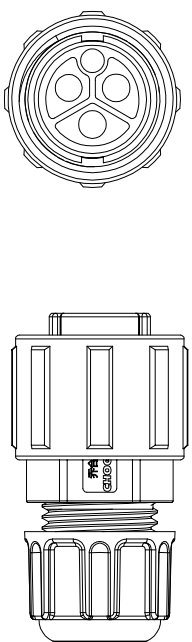
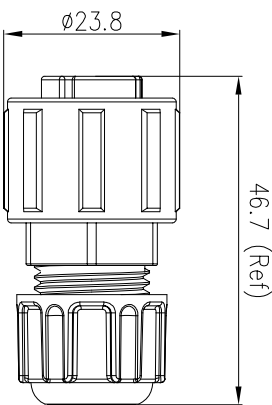
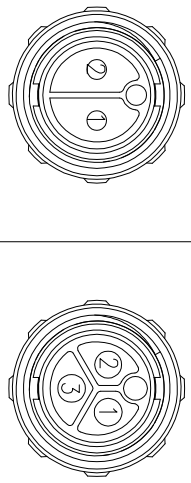


REV.	EN. NO.	DESCRIPTION	SIGN	DATE
C1	N/A	INITIAL DRAWING	Liu	2019/08/13



23XXX211-XX Cable Range OD
 01 OD: $\phi 3.5\text{mm} \sim \phi 6.5\text{mm}$
 02 OD: $\phi 6.5\text{mm} \sim \phi 9.5\text{mm}$



P/N: 23002211-XX
 P/N: 23003211-XX

Pin Assignments Front View

UNIT: mm	DESCRIPTION
TOLERANCE X .XX .XXX ANGLES	Middle Series Screw Male Plug With Female Pin
SCALE: 1:1	SHEET X OF X
REV: C1	SIZE A4
* : Inspection Item	

- Specification:
1. Operation Temperature: $-45^{\circ}\text{C} \sim 105^{\circ}\text{C}$.
 2. Insulation Resistance: $100\text{M}\Omega$ at DC500V.
 3. Contact Resistance: $<10\text{m}\Omega$.
 4. Withstand Voltage: 2000V AC
 5. Operating Current: 20A
 6. Operating Voltage: AC 300V
 7. Waterproof Rate: IP67 (Mated)
 8. Seal Nut: Nylon, Black
 9. Seal Ring: Silicon, Black
 10. Clamp Ring: Nylon, Black
 11. Gasket: Silicon, Red
 12. Lock Nut: Nylon, Black
 13. Female Pin: Copper Alloy, Gold Plated
 14. Connector: Nylon+GF, Black
 15. O-Ring: Silicon, Red
 16. RoHS Compliant.
 17. UL Compliant.
 18. Mating Cap: 806-00026-01

CHOGORI

PART NO	23XXX211-XX	DRAWN BY	Liu	DATE	2019/08/13
DWG NO		CHECKED BY	MO	DATE	2019/08/13
CUSTOMER		APPROVED BY	Panson	DATE	2019/08/13