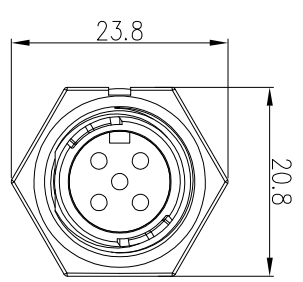
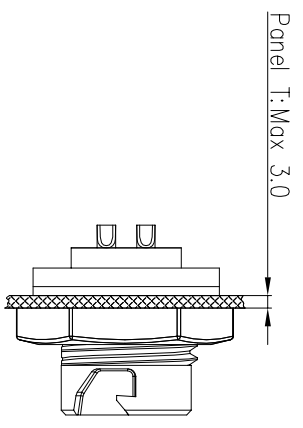
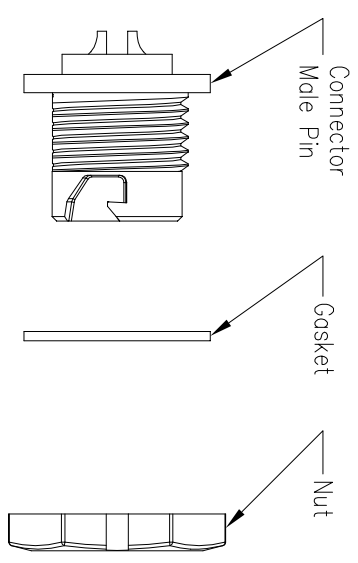
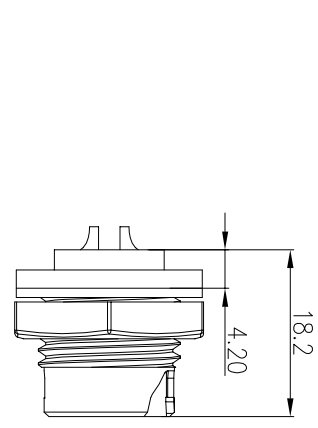
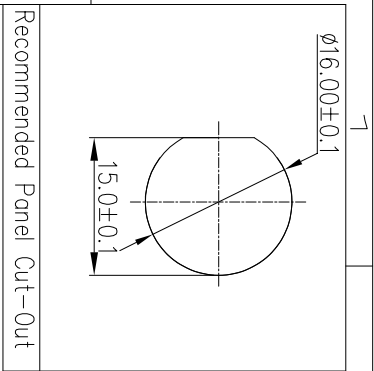
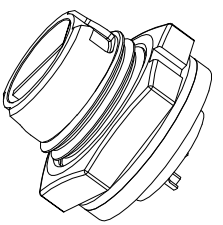


REV.	EN. NO.	DESCRIPTION	SIGN	DATE
C1	N/A	INITIAL DRAWING	Liu	2019/08/13



Pin Number	Pin	P/N: 22005535-01	P/N: 22006535-01	P/N: 22008535-01
5	5 Pin			

Pin Assignments Front View



- Specification:
1. Operation Temperature:  $-45^{\circ}\text{C} \sim 105^{\circ}\text{C}$ .
  2. Insulation Resistance:  $100\text{M}\Omega$  at DC500V.
  3. Contact Resistance:  $<10\text{m}\Omega$ .
  4. Withstand Voltage: 1300V AC
  5. Operating Current: 5A
  6. Operating Voltage: AC 60V
  7. Waterproof Rate: IP67 (Mated)
  8. Housing: Nylon, Black
  9. Male Pin: Copper Alloy, Gold Plated
  10. Gasket: Silicon Gray
  11. Panel Nut: Nylon, Orange
  12. Torque Rate:  $0.8 \sim 1.0\text{N} \cdot \text{m}$
  13. RoHS Compliant.
  14. UL Compliant.
  15. Mating Cap P/N: 806-00053-00

UNIT: mm		DESCRIPTION	Standard Series Push Lock Front Mount With Male Pin
TOLERANCE		SCALE	1:1
.X	$\pm 0.25$	REV	C1
.XX	$\pm 0.15$	SIZE	A4
.XXX	$\pm 0.05$	SHEET	1 OF 1
ANGLES	$\pm 1^{\circ}$	* : Inspection Item	

<b>CHOGORI</b>		PART NO	22XXXX535-01	DRAWN BY	Liu	DATE	2019/08/13
		DWG NO		CHECKED BY	Mo	DATE	2019/08/13
		CUSTOMER		APPROVED BY	Ponson	DATE	2019/08/13